



Powerful Synergies



CPS-GROUP.COM



COPMA
1000

**TOP RANGE
MODEL**

COPMA 1000

PERFORMANCE & POWER

1000 HAS COMPACT DIMENSIONS AND OPTIMIZED WEIGHTS WITH A CUSTOMIZED DESIGN FOR MORE POWER AND RELIABILITY AT EVERY OPERATOR NEED.

- **TOP RANGE - HEAVY RANGE model, load category - 100 Ton/Mt**
- **High tensile strength steel**
- **Efficient safety system**
- **Reliability, speed and precision**
- **Extra long working life cycle**
- **Easier maintenance operations**





THE MOST POWERFUL CRANE FOR THE TOUGHEST MARKETS



COPMA 1000

MORE SAFETY & SECURITY

**DESIGNED WITH THE HIGHEST
HYDRAULIC SYSTEMS AND THE
TOUGHEST STRUCTURAL STEEL
TO PERFORM THE MAXIMUM
LIFTING CAPACITY.**

- **Superior Hydraulic Technology**
- **Dynamic Electronic Controls**
- **High Degree of User Friendliness**
- **Efficiency and Reliability thanks to superior structural features**
- **More Efficiency with advanced electronic controls**





**DESIGNED
FOR FLEXIBLE
SERVICES**



COPMA 1000

TECHNICAL FEATURES

**CUTTING EDGE FEATURES
FOR MAXIMUM LIFTING
POWER, STABILITY AND
OPERATIONAL SAFETY IN EVERY
WORKING CONDITION.**

Standard features

- easy use
 - HSE easy use
 - HPVe easy use
 - ERD easy use
 - HLS 2.0 easy use
- * ▪ control
 - TAD control
 - * CMS 3.0 control
 - * TES 4.0 control
 - NCS control
 - RRC 3.0 control
 - ELS control
- structure
 - CCLS structure
 - NBS structure
 - RES 2.0 structure
 - HTSS structure

optional features

- * ▪ control
 - CRC 4.0 control
- easy use
 - CAD easy use

*CE version



HSE
easy use
HIGH SPEED EXTENSION

Hydraulic system for reducing load losses and bottlenecks for the correct output sequence of the extensions by increasing the speed of 30%-60% thanks to the regenerative valve. Greater continuous performance thanks to lower fluid temperature.



ERD
easy use
ELECTRONIC RADIO DISPLAY

A display on the remote control allows the operator to maintain the total control of all the crane functions in real time by managing the work mode, the stability control, and oversee any maintenance and diagnostic messages.



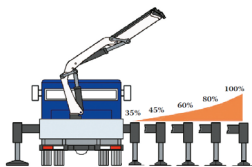
TAD
control
TRANSPORT ALERT DEVICE

Sensors on the basement controls the correct closing of the beams, and a column switch sensor indicates the crane folded position, no more than 4 mt in height. The operator is warned with light and sound signals in the truck cabin.



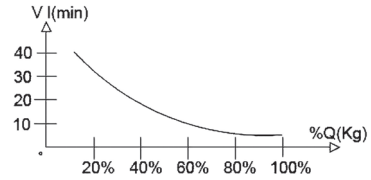
TES 4.0
control
TRUCK ELECTRONIC STABILITY 4.0

Active stability control for performance optimization according to the type of stabilization (4) to guarantee maximum safety in all working conditions. Mandatory in the CE market, it helps a better vehicle-crane configuration.



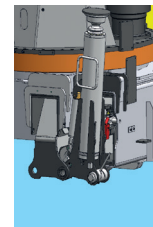
HPVe
easy use
LOAD BASED ELECTRONIC SPEED REDUCTION SYSTEM

A valve electronically manages the flow of oil to the distributor by increasing the load capacity of the crane and intervening on the lifting speed and allowing the reduction of dynamic effects while optimizing performance.



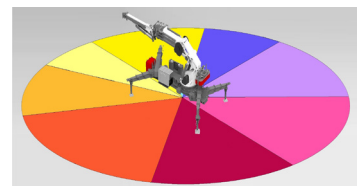
HLS 2.0
easy use
HYDRAULIC LIFTING STABILIZERS 2.0

The cylinder of the stabilizer is lifted with an auxiliary jack, allowing the vertical movement within the bushes or rotating around a pin. It saves operative time in increasing the security of the setup.



CMS 3.0
control
CRANE MONITORING SYSTEM 3.0

Crane stability control system TES2-TES3, with safety and overload system, controls medium high-range crane and HPVE lifting speed management. Active control on 4-8 working areas according to the model and vehicle stability requirements with TES4.



NCS
control
NEGATIVE CONTROL SYSTEM

Slope sensors mounted on the articulated booms of the crane, combined with the electronic control, control the maximum vertical angle of the arms and the JIB preventing incorrect or dangerous movements by the operator.





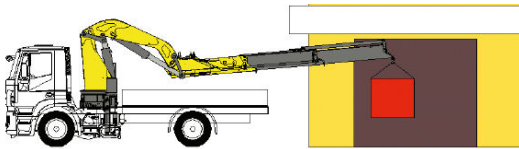
RADIO REMOTE CONTROL 3.0

Radio remote control with the electro-hydraulic actuator connected directly to the proportional control valve. The remote control allows operating the crane while continually monitoring the areas of operation.



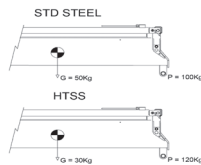
NEGATIVE BOOM SYSTEM

The linkage on the articulation of the secondary boom permits the introduction of loads within restricted spaces. It enables the recovery of the deflection of the extension boom group due to the weight and the load raised on the extensions.



HIGH TENSILE STRENGTH STEEL

The entire high-strength steel structure thanks to an advanced FEM engineering process, develops an extraordinarily light and performing crane structure. In the perfect balance between maximum performance and operational safety.



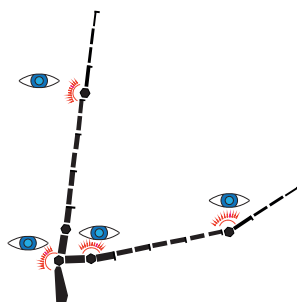
COPMA® REMOTE CONNECTIVITY 4.0

COPMA® 4.0 remote connectivity to the crane. Two-way communication via GPRS for real-time diagnosis and remote setting and / or adjustment of parameters in real time



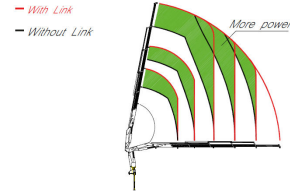
ELECTRONIC LIMIT SWITCH

Electronic limit switch on articulation rams. This device prevents the end run and therefore avoids the pressure peaks that stall the machine. The crane works in a smoother and safer way.



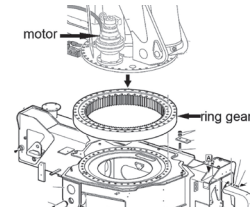
CONSTANT CONTROL LINK SYSTEM

The cranes equipped with connecting rods on the articulations, with a constant lifting moment over the entire working arc, allow to 100% optimize the crane's capacity in positions close to the maximum vertical.



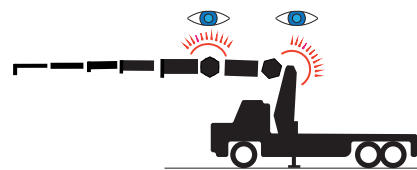
ENDLESS ROTATION SYSTEM 2.0

A rotating bearing and double gearbox system, with a clearance adjusting system with an eccentric shaft. It provides the perfect transmission of the rotation with the bearing, allowing better crane optimization.



CABIN ANTI-COLLISION DEVICE

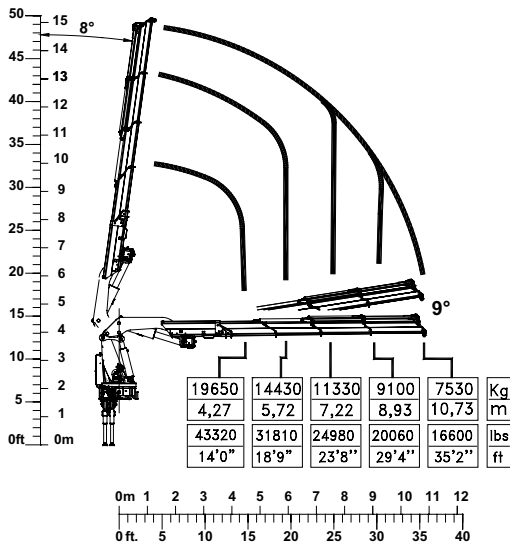
Cabin anti-collision device (available only if combined with ELS). This system prevents the boom from performing any movement that might crash the truck cabin. It's a setting in the CMS 2.0/CMS 3.0 software that can be adjusted only after the crane is installed on the truck.



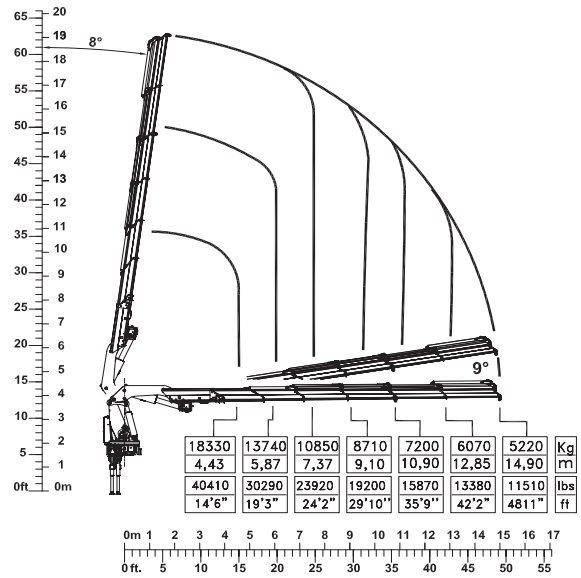
1000 TOP RANGE

LOAD CHARTS

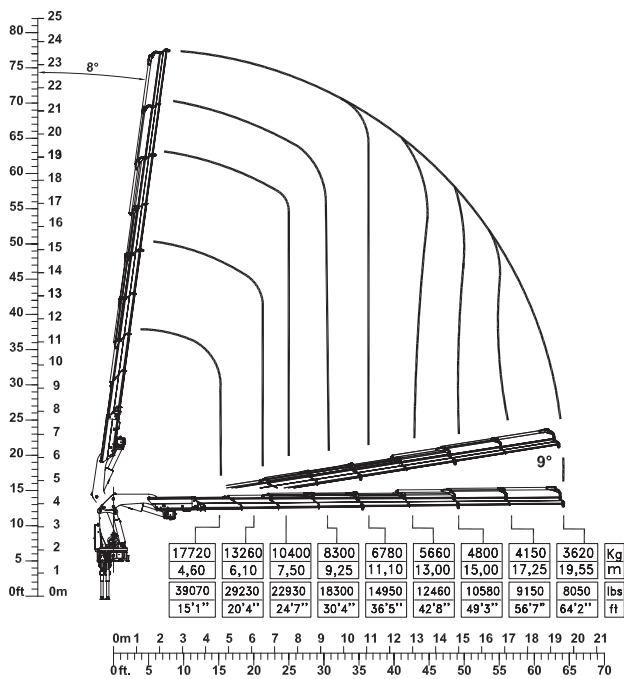
4 extensions



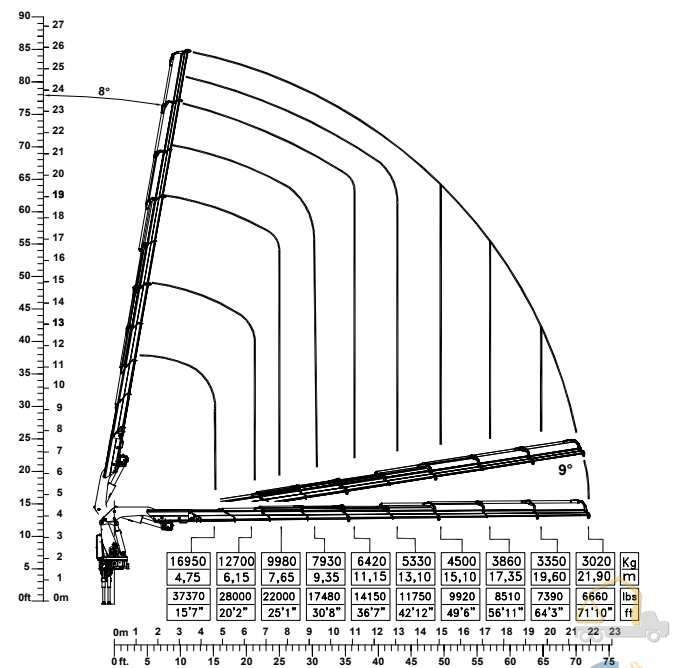
6 extensions



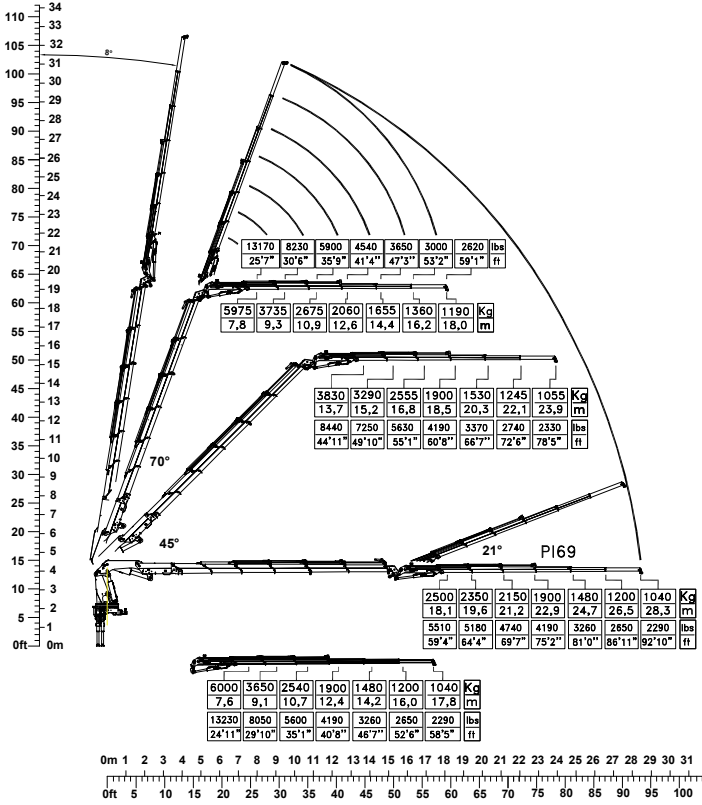
8 extensions



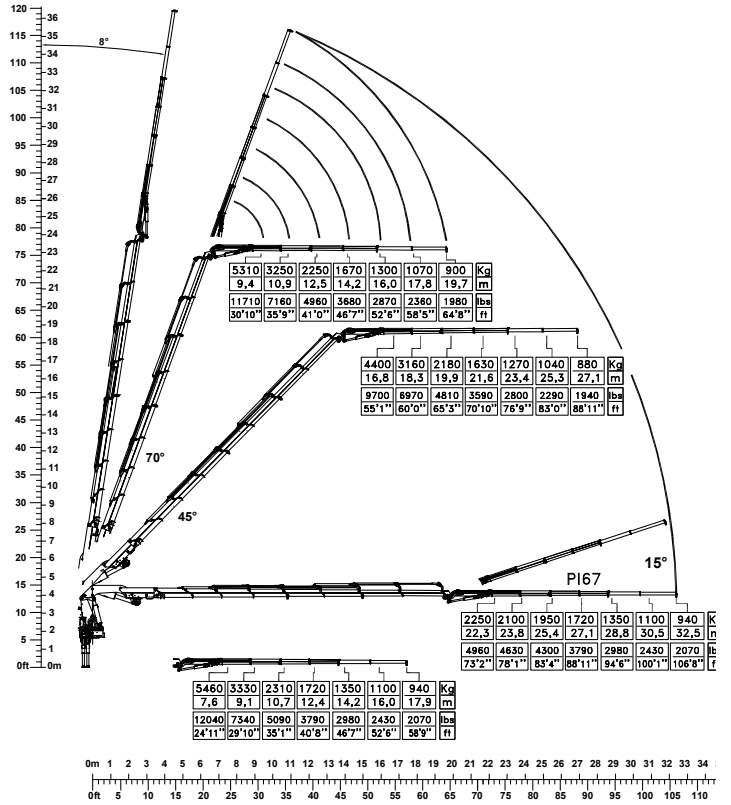
9 extensions



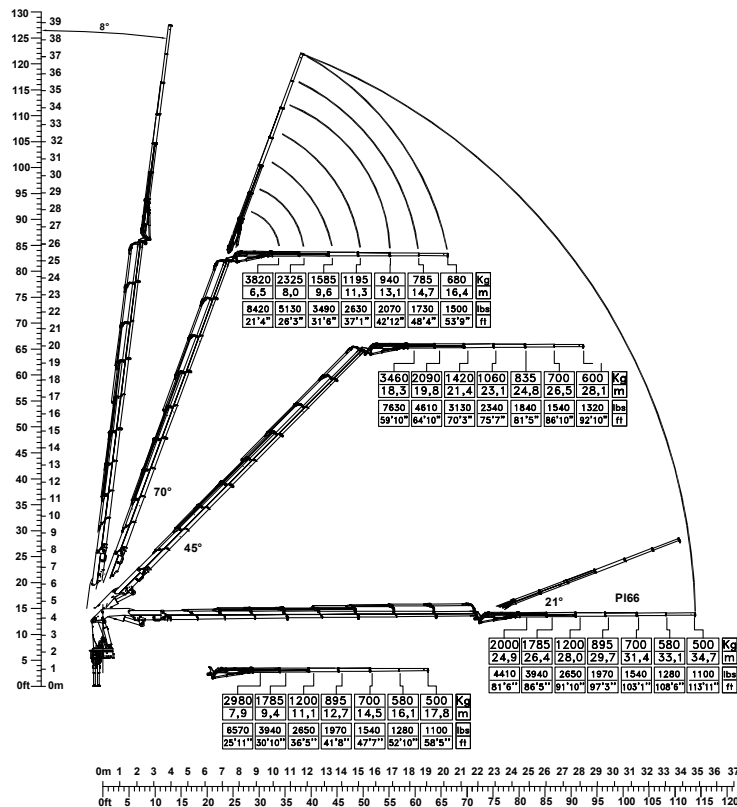
1000.6 J6



1000.8J6



1000.9J6

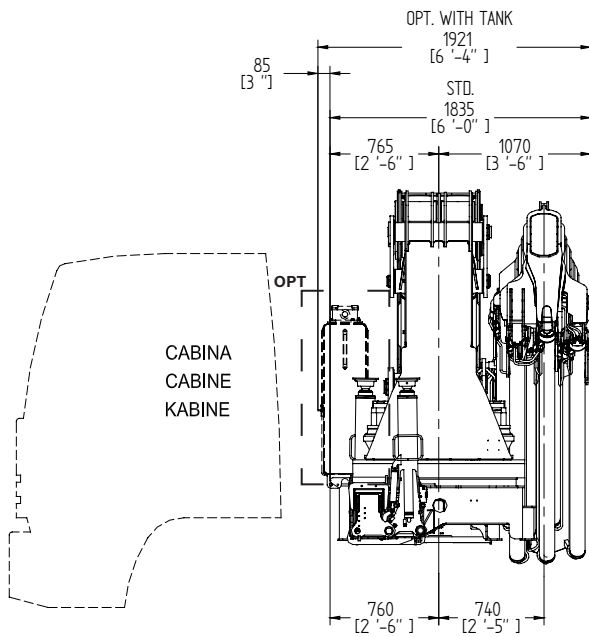


1000 TOP RANGE

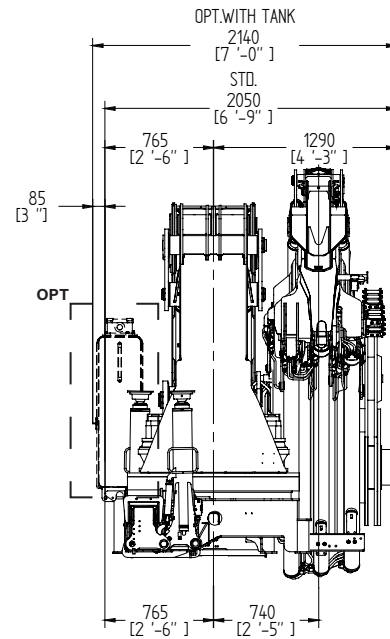
CRANE DIMENSIONS

back cabin left

VERS. 9

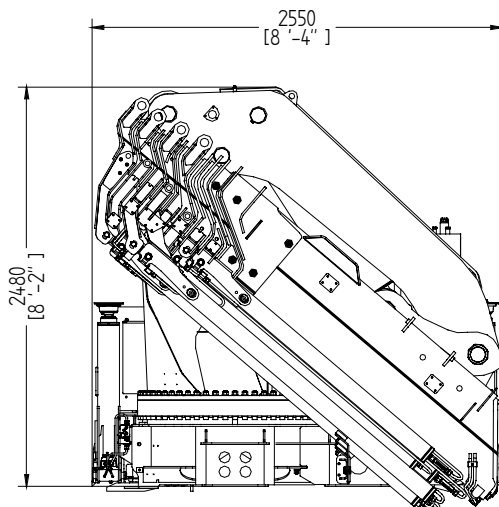


VERS. .9 with hose reels
VERS: .4.6.8 with track chain

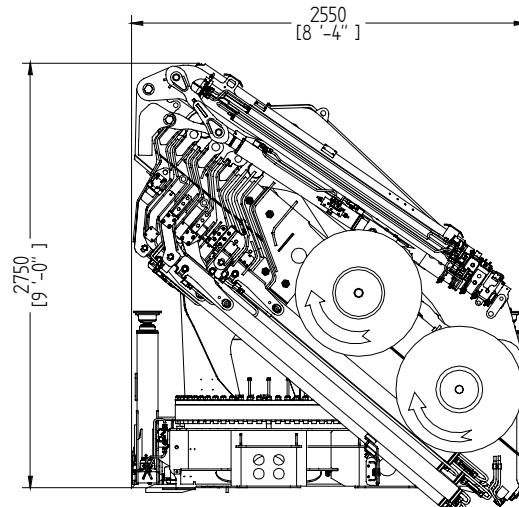


rear truck

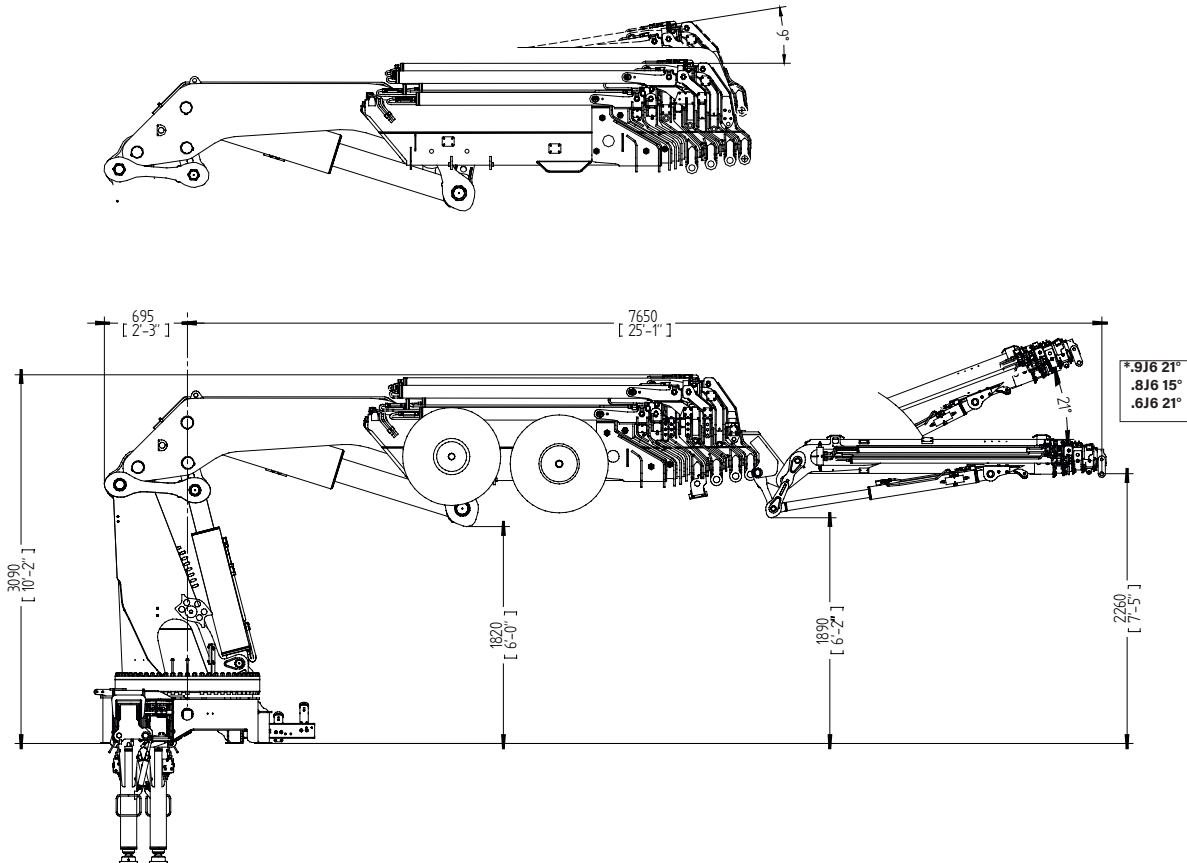
VERS. 9



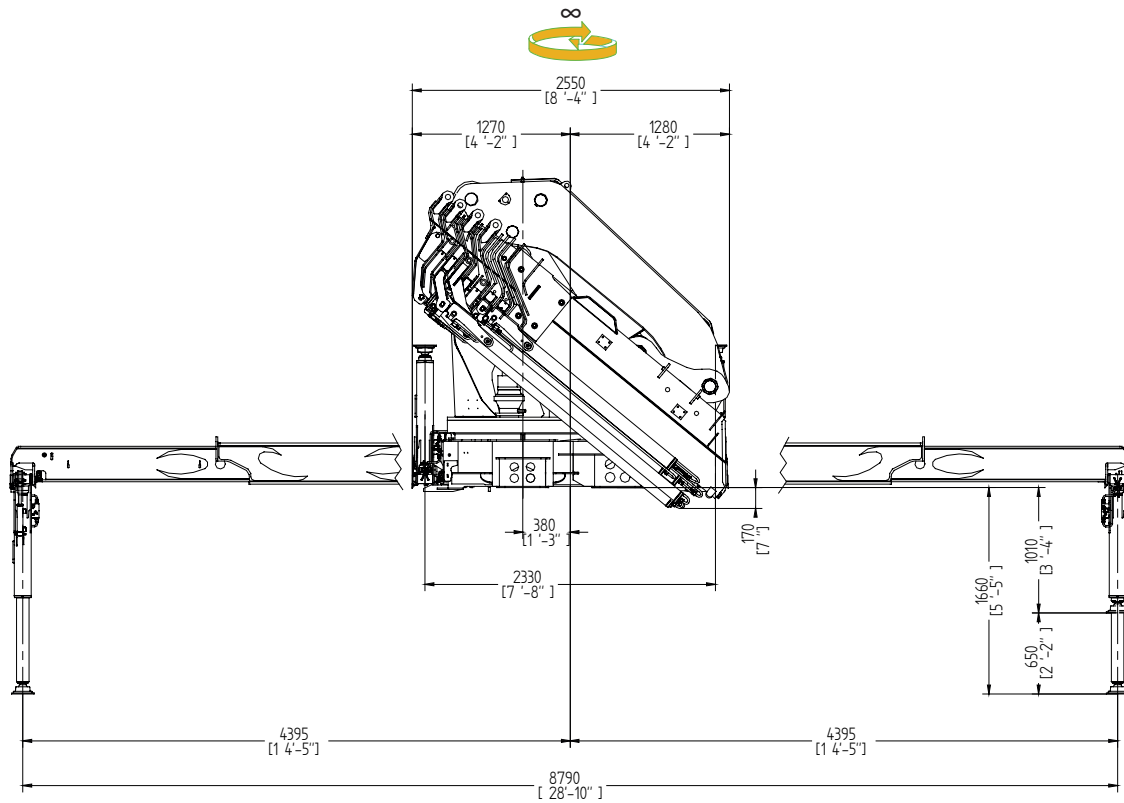
VERS. 9J6



operational



extended outriggers



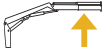








* Note: technical features are not binding, the company reserves itself the right to any modification without notice












1000 TOP RANGE

TECHNICAL DATA

summarized data

									
	kN.m	bar	l/min	kg	°	mm	mm	mm	mm
1000.4	812	370	90	7825	∞	2550	1835*	2480	8800
1000.6	795	370	90	8330	∞	2550	1835*	2480	8800
1000.6j6	795	370	90	9600	∞	2550	-	-	8800
1000.8	783	370	90	8800	∞	2550	1835*	2480	8800
1000.8j6	783	370	90	9915	∞	2550	2095	2730	8800
1000.9	945	370	90	9000	∞	2550	1835*	2480	8800
1000.9j6	945	370	90	9850	∞	2550	2140	2750	8800

									
	lbs	psi	gal/min	lbs	°	ft/inc	ft/inc	ft/inc	ft/inc
1000.4	598900	5365	23,8	17250	∞	8'4"	6'0"*	8'2"	28'10"
1000.6	586362	5365	23,8	18360	∞	8'4"	6'0"*	8'2"	28'10"
1000.6j6	586362	5365	23,8	21160	∞	8'4"	-	-	28'10"
1000.8	577511	5365	23,8	19400	∞	8'4"	6'0"*	9'6"	28'10"
1000.8j6	577511	5365	23,8	21860	∞	8'4"	8'7"	8'11"	28'10"
1000.9	683519	5365	23,8	19840	∞	8'4"	6'0"*	9'6"	28'10"
1000.9j6	675569	5365	23,8	21720	∞	8'4"	8'7"	9'0"	28'10"

*with tank on the basement 1920 mm - 6'-4" ft/inc.

Crane weights without tank

technical data

Max. lifting moment	812 kNm	598900ft.lbs
Max. hydraulic outreach	21,90 m	71'10"
Slewing angle	∞	∞
Slewing torque	8200 daNm	60480 ft.lbs
Stabilizer spread	8,80 m	28'10"
Fitting space required (min./max)	2,76-2,88 m	9'1"-9'5" ft/inc
Width folded	2,55 m	8'4"
Max. operating pressure	370 bar	5365 psi
Recommended pump capacity	90l/min	23,8 US gal./min
Dead weight (vers. 4)	7825 kg	17250 lbs

* Note: technical features are not binding, the company reserves itself the right to any modification without notice





**GET READY FOR A
BETTER LIFTING
EXPERIENCE**





COPMA 1000



KNUCKLE
BOOM
CRANES



Powerful Synergies



CPS



**CPS
STEEL**

CPS GROUP S.P.A.

281 Via Emilia , Castel Bolognese (RA), 48014
Italy

T +39 0546 653 711

sales.cpsgroup@cps-group.com

service.cpsgroup@cps-group.com

CPS-GROUP.COM

COPMA MODEL 1000 TOP RANGE 9-2023 all rights reserved CPS GROUP