



Powerful Synergies



COPMA 140

**ESSENTIAL
MODEL**



COPMA 140

Performance & Power

**140 IS INNOVATIVE ENGINEERING
FOR TOP PRECISION, EFFICIENCY,
SPEED AND PERFORMANCE.
AN ESSENTIAL MASTERPIECE
OF LIFTING TECHNOLOGY.**

- **ESSENTIAL model, load category - 14 Ton/Mt**
- **Essential in design, powerful in performance**
- **Robust arm system**
- **Simple and reliable**
- **Excellent operational safety**





**THE MOST
POWERFUL
CRANE FOR
THE TOUGHEST
MARKETS**



COPMA 140

More Safety & Security

**DESIGNED WITH THE HIGHEST
HYDRAULIC SYSTEMS AND THE
TOUGHEST STRUCTURAL STEEL
TO PERFORM THE MAXIMUM
LIFTING CAPACITY.**

- **Optimized and reliable hydraulic technology**
- **Column with high mechanical characteristics**
- **High Degree of User Friendliness**
- **Efficiency and Reliability thanks to essential design**
- **Excellent weight/performance ratio**





DESIGNED FOR FLEXIBLE SERVICES



COPMA 140

Technical Features

**CUTTING EDGE FEATURES FOR
MAXIMUM LIFTING POWER,
STABILITY AND OPERATIONAL
SAFETY IN EVERY WORKING
CONDITION.**

Standard features

- control
 - * **TAD**
control
 - * **CMS 1.0**
control
 - * **TES 2.0**
control
- structure
 - RRP**
structure

optional features

- easy use
 - HLS 1.0**
easy use
 - HLS 2.0**
easy use
 - MLS 1.0**
easy use
- control
 - RRC 1.0**
control
 - RRC 3.0**
control

*E.C. market specific equipment



TAD
control
**Transport
Alert
Device**

Sensors on the basement control the correct closing of the beams and a column switch sensor indicates if the crane is in a folded position, no more than 4 Mt in height. The operator is warned with light and sound signals in the truck cabin.



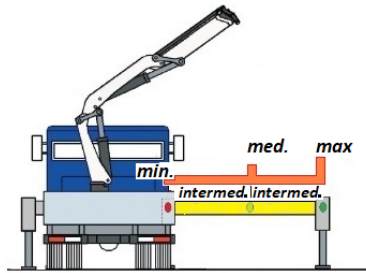
CMS
1.0
control
**Crane Monitoring
System
1.0**

Crane stability control system TES1-TES2, with safety control and overload control for medium-small cranes. Controls the crane in 4 work areas, and each zone can have custom lifting settings depending on the vehicle stability.



TES
2.0
control
**Truck Electronic
Stability
2.0**

Active stability control for performance optimization according to the type of stabilization (2) to guarantee maximum safety in all working conditions. Mandatory in the CE market, it helps a better vehicle-crane configuration.



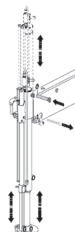
RRP
structure
**Rotation
Rack
Pinion**

Radio remote control with the electro-hydraulic actuator connected directly to the standard control valve. The remote control allows operating the crane while continually monitoring the areas of operation.



HLS
1.0
easy use
**Hydraulic Lifting
Stabilizers
1.0**

Radio control with directly flanged actuation electronics with proportional distribution. This system assists the operator with the possibility of using the radio control for stabilizing the crane and save operative time in increasing the security of the setup.



HLS
2.0
easy use

Hydraulic Lifting Stabilizers 2.0

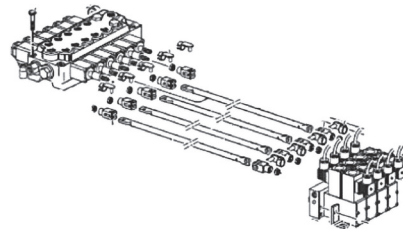
The cylinder of the stabilizer is lifted with an auxiliary jack, allowing the vertical movement within the bushes or rotating around a pin. It saves operative time in increasing the security of the setup.



RRC
1.0
control

Radio Remote Control 1.0

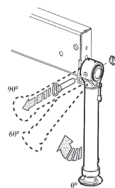
Radio remote control with actuation electronics directly connected with the standard distribution. The remote control allows operating the crane while continually monitoring the areas of operation.



MLS
1.0
easy use

Manual Lifting Stabilizers 1.0

Manual lifting of the crane legs. The manual lifting of the legs helps the operator adjust its extension manually without additional assistance from electronics or hydraulic controls.



RRC
3.0
control

Radio Remote Control 3.0

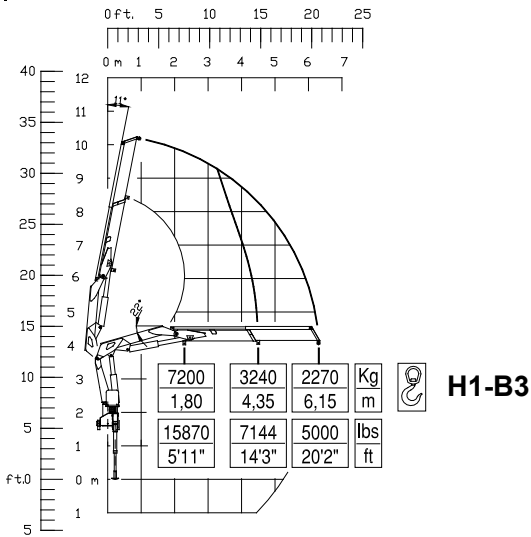
Radio control with directly flanged actuation electronics with proportional distribution. The remote control allows operating the crane while constantly monitoring the areas of operation.



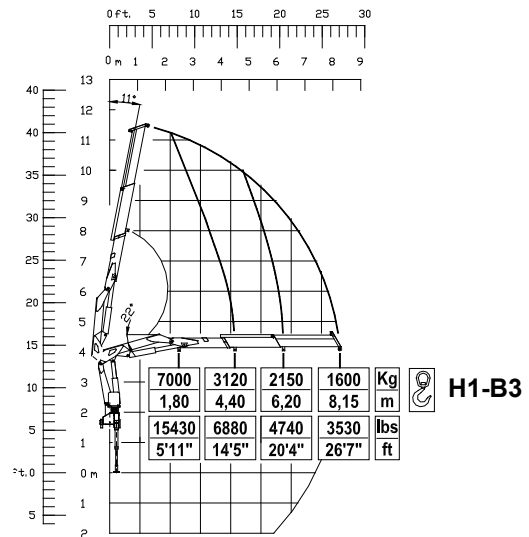
140 ESSENTIAL

Load Charts

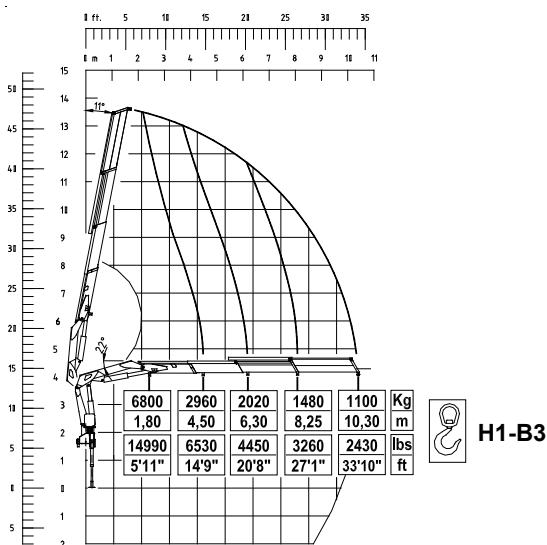
1 extensions



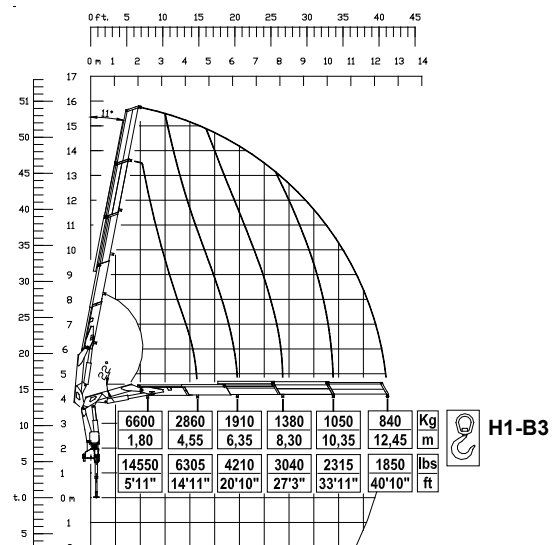
2 extensions



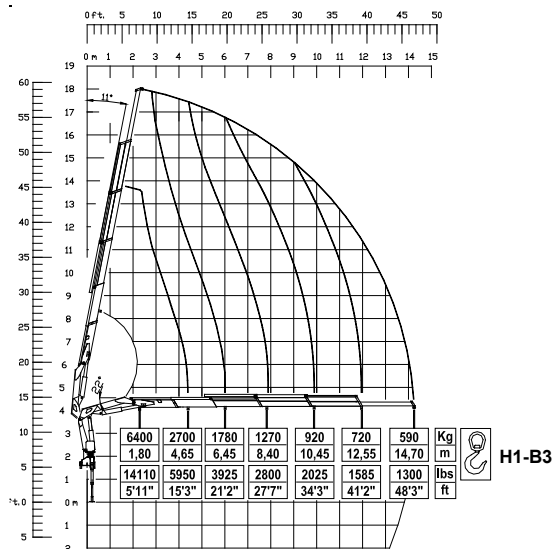
3 extensions



4 extensions



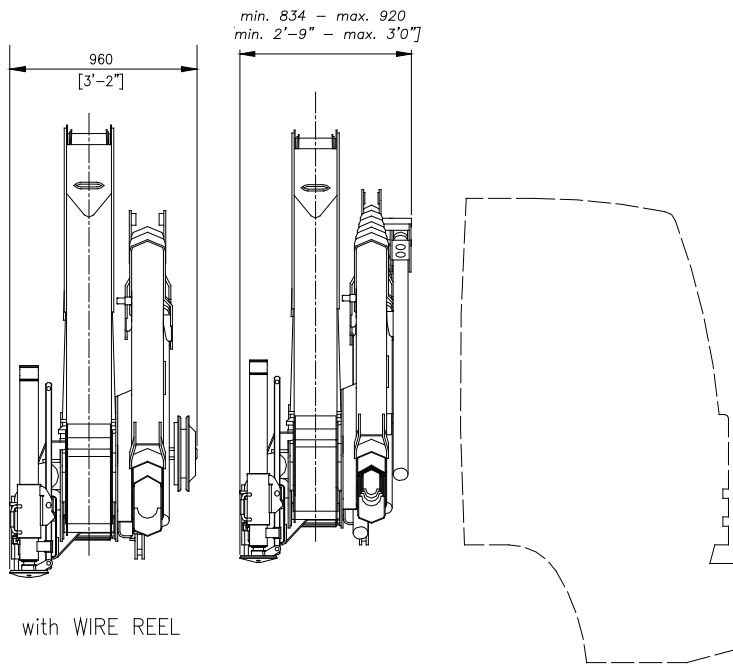
5 extensions



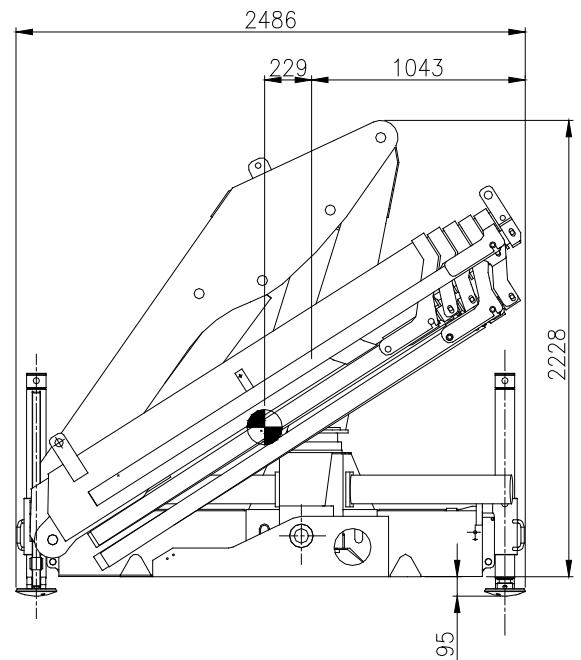
140 ESSENTIAL

Crane Dimensions

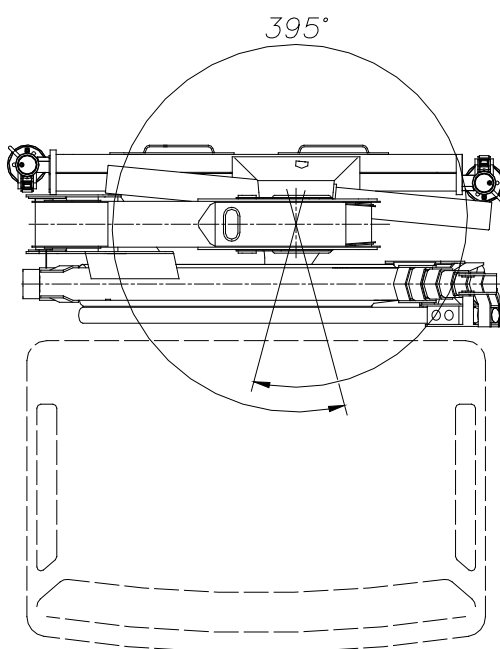
back cabin left



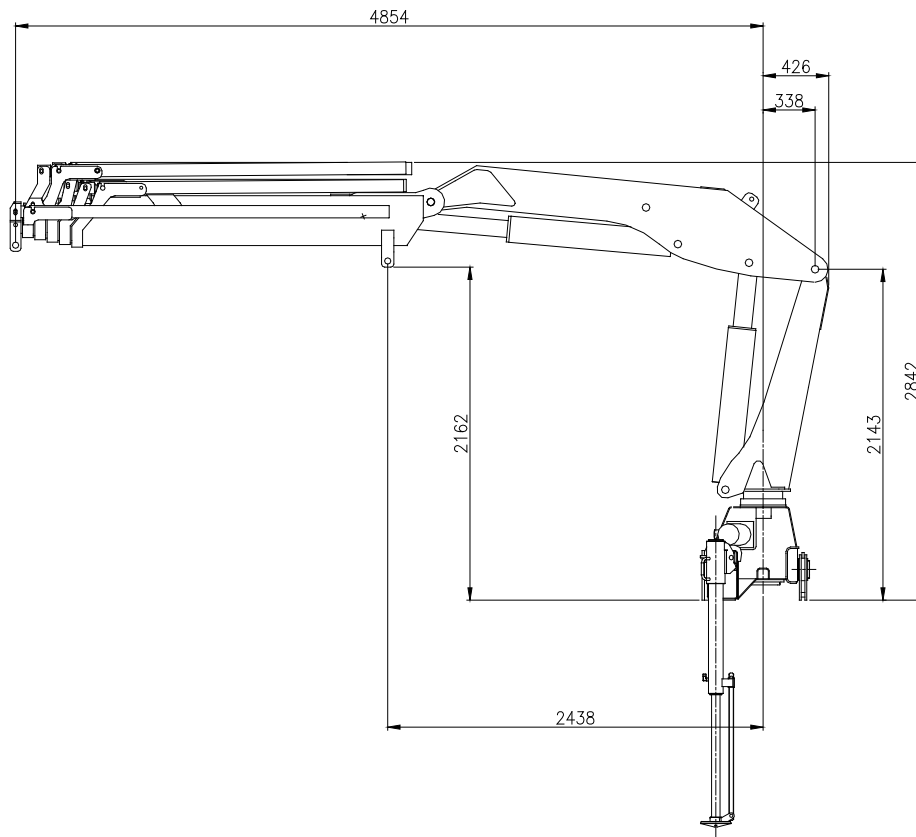
rear truck



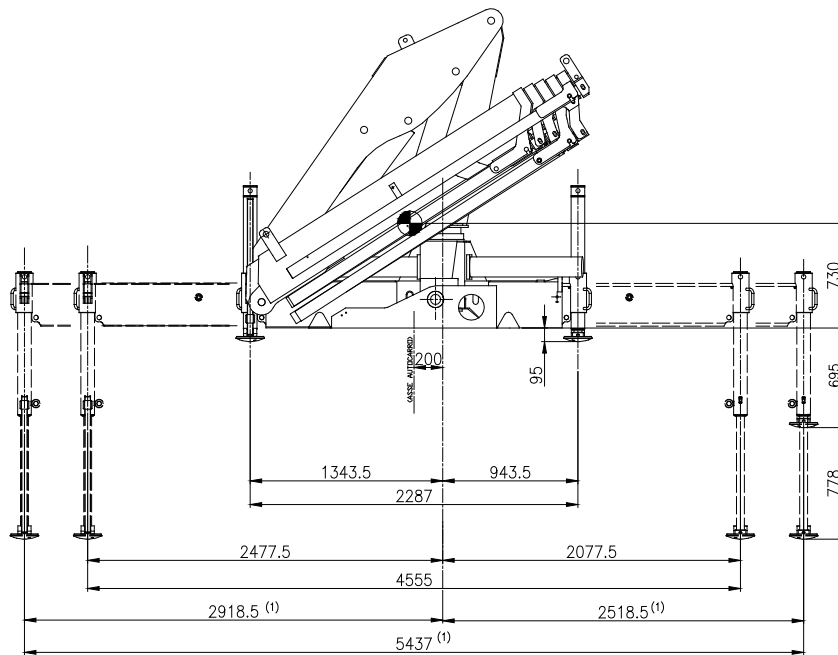
top cabin



operational



extended outriggers












* Note:
 Technical features are not binding.
 The company reserves itself the right to any modification without notice












140 ESSENTIAL

Technical Data

summarized data

	 kN.m	 bar	 l/min	 kg	 °	 mm	 mm	 mm	 mm
140.1	136	300	40	1700	395	2486	831	2228	4555/5437
140.2	133	300	40	1825	395	2486	831	2228	4555/5437
140.3	134	300	40	1750	395	2486	831	2228	4555/5437
140.4	130	300	40	2125	395	2486	834	2228	4555/5437
140.5	126	300	40	2235	395	2486	920	2228	4555/5437

	 lbs.ft	 psi	 gal/min	 lbs	 °	 ft/inc	 ft/inc	 ft/inc	 ft/inc
140.1	98657	4349	10,5	3740	395	8'2"	2'9"	7'4"	14'11"/17'10"
140.2	96234	4349	10,5	4015	395	8'2"	2'9"	7'4"	14'11"/17'10"
140.3	96342	4349	10,5	3850	395	8'2"	2'9"	7'4"	14'11"/17'10"
140.4	94122	4349	10,5	4675	395	8'2"	2'9"	7'4"	14'11"/17'10"
140.5	90809	4349	10,5	4917	395	8'2"	3'0"	7'4"	14'11"/17'10"

technical data

Max. lifting moment	136.4 kNm	98657 ft.lbs
Max. hydraulic outreach	14.8 m	48'7"
Slewing angle	395°	395°
Slewing torque	2280 daNm	16496 ft.lbs
Stabilizer spread	4.55/5.43 mt	14'11"/17'10"
Fitting space required (min./max)	0.83/0.92 m	2'9"/3'0"
Width folded	2.46 m	7'4"
Max. operating pressure	300 bar	4349 psi
Recommended pump capacity	40 l/min	10.5 US gal./min
Dead weight (vers .1)	1700 kg	3740 lbs

* Note:
 Technical features are not binding.
 The company reserves itself the right to any modification without notice







**SUPERIOR
RELIABILITY
FOR EVERY
OPERATOR**



COPMA 140



knuckle
boom
cranes



Powerful Synergies



CPS



**CPS
STEEL**

CPS GROUP S.P.A.

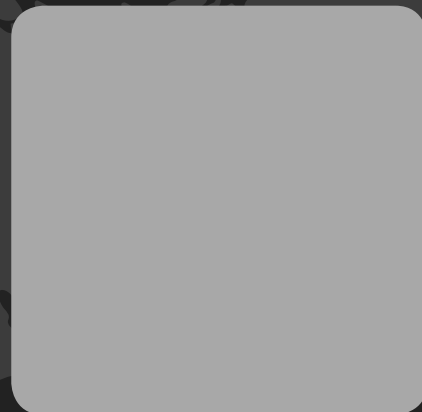
281 Via Emilia , Castel Bolognese (RA) , 48018
Italy

T +39 0546 653 711

sales.cpsgroup@cps-group.com

service.cpsgroup@cps-group.com

cps-group.com



COPMA MODEL 140 ESSENTIAL 6-2019 all rights reserved CPS GROUP

