



Powerful Synergies



COPMA

170

**ESSENTIAL
MODEL**

COPMA 170

Performance & Power

**170 IS INNOVATIVE ENGINEERING
FOR TOP PRECISION, EFFICIENCY,
SPEED AND PERFORMANCE.
AN ESSENTIAL MASTERPIECE
IN LIFTING TECHNOLOGY.**

- **ESSENTIAL model, load category - 17 Ton/Mt**
- **Essential in design, powerful in performance**
- **Robust arm system**
- **Simple and reliable**
- **Excellent operational safety**





**THE MOST
POWERFUL
CRANE FOR
THE TOUGHEST
MARKETS**



COPMA 170

More Safety & Security

**DESIGNED WITH THE HIGHEST
HYDRAULIC SYSTEMS AND THE
TOUGHEST STRUCTURAL STEEL
TO PERFORM THE MAXIMUM
LIFTING CAPACITY.**

- **Optimized and reliable hydraulic technology**
- **Column with high mechanical characteristics**
- **High Degree of User Friendliness**
- **Efficiency and Reliability thanks to essential design**
- **Excellent weight/performance ratio**





**DESIGNED
FOR FLEXIBLE
SERVICES**



COPMA 170

Technical Features

**CUTTING EDGE FEATURES
FOR MAXIMUM LIFTING
POWER, STABILITY AND
OPERATIONAL SAFETY IN EVERY
WORKING CONDITION.**

Standard features

- control



- structure



optional features

- easy use



- control



*E.C. market specific equipment



TAD
control
Transport Alert Device

Sensors on the basement control the correct closing of the beams and a column switch sensor indicates if the crane is in a folded position, no more than 4 Mt in height. The operator is warned with light and sound signals in the truck cabin.



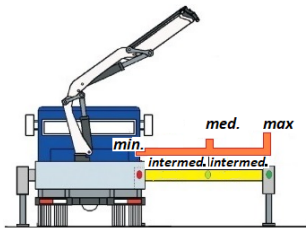
CMS
1.0
control
Crane Monitoring System 1.0

Crane stability control system TES1-TES2, with safety control and overload control for medium-small cranes. Controls the crane in 4 work areas, and each zone can have custom lifting settings depending on the vehicle stability.



TES
2.0
control
Truck Electronic Stability 2.0

Active stability control for performance optimization according to the type of stabilization (2) to guarantee maximum safety in all working conditions. Mandatory in the CE market, it helps a better vehicle-crane configuration.



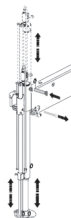
RRP
structure
Rotation Rack Pinion

Radio remote control with the electro-hydraulic actuator connected directly to the standard control valve. The remote control allows operating the crane while continually monitoring the areas of operation.



HLS
1.0
easy use
Hydraulic Lifting Stabilizers 1.0

Radio control with directly flanged actuation electronics with proportional distribution. This system assists the operator with the possibility of using the radio control for stabilizing the crane and save operative time in increasing the security of the setup.



HLS
2.0
easy use
Hydraulic Lifting Stabilizers 2.0

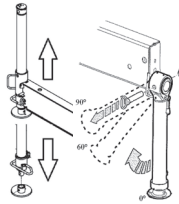
The cylinder of the stabilizer is lifted with an auxiliary jack, allowing the vertical movement within the bushes or rotating around a pin. It saves operative time in increasing the security of the setup.





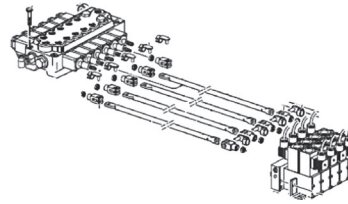
Manual Lifting Stabilizers 1.0

Manual lifting of the crane legs. The manual lifting of the legs helps the operator adjust its extension manually without additional assistance from electronics or hydraulic controls.



Radio Remote Control 1.0

Radio remote control with actuation electronics directly connected with the standard distribution. The remote control allows operating the crane while continually monitoring the areas of operation.



Radio Remote Control 3.0

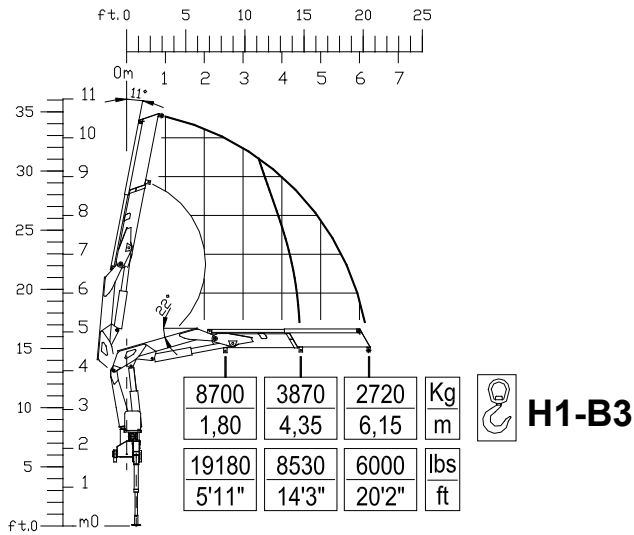
Radio control with directly flanged actuation electronics with proportional distribution. The remote control allows operating the crane while constantly monitoring the areas of operation.



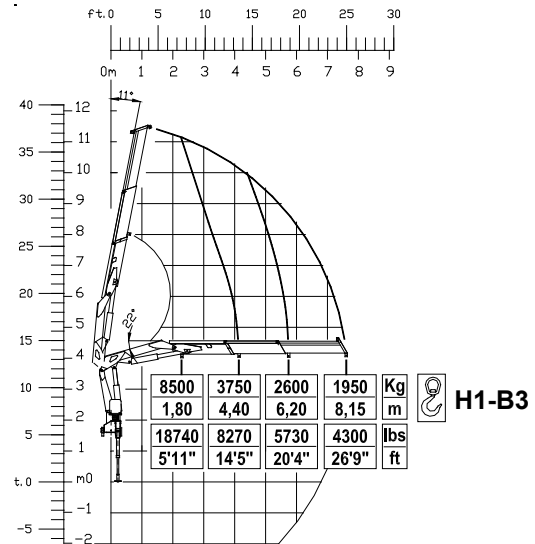
170 ESSENTIAL

Load Charts

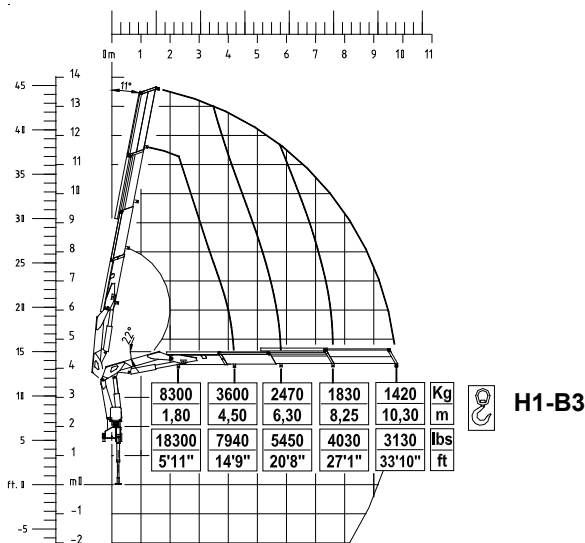
1 extensions



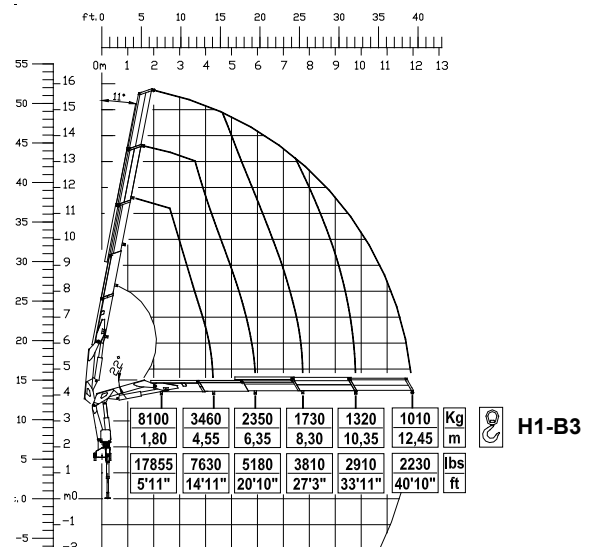
2 extensions



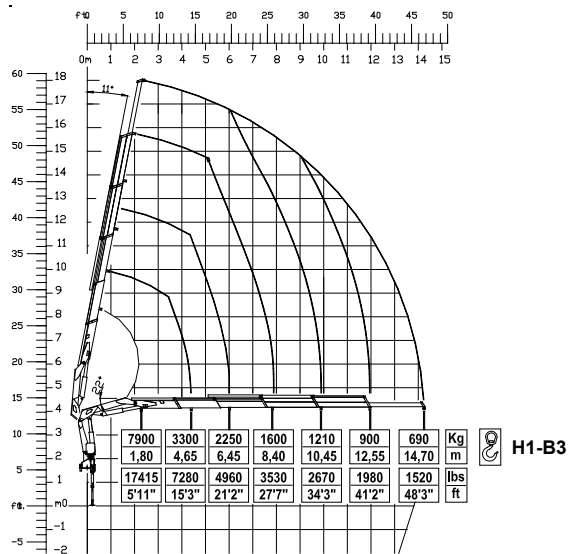
3 extensions



4 extensions



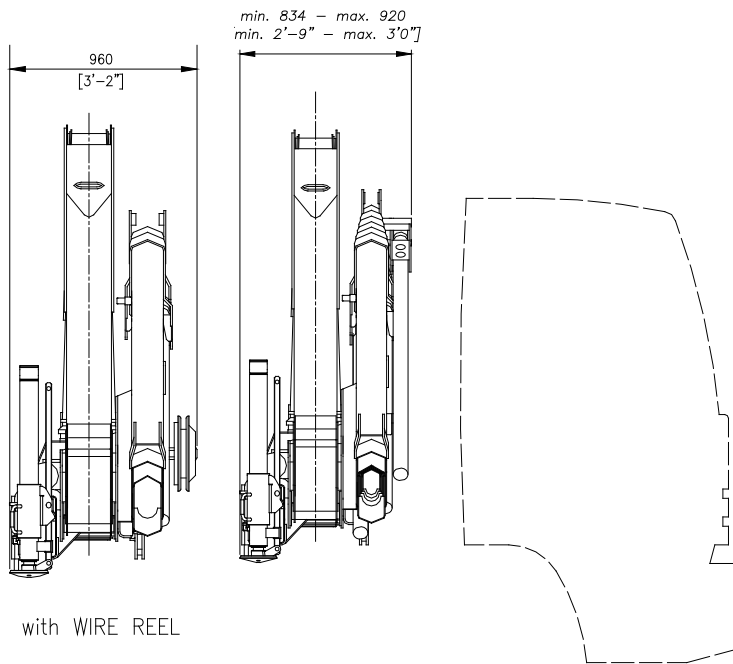
5 extensions



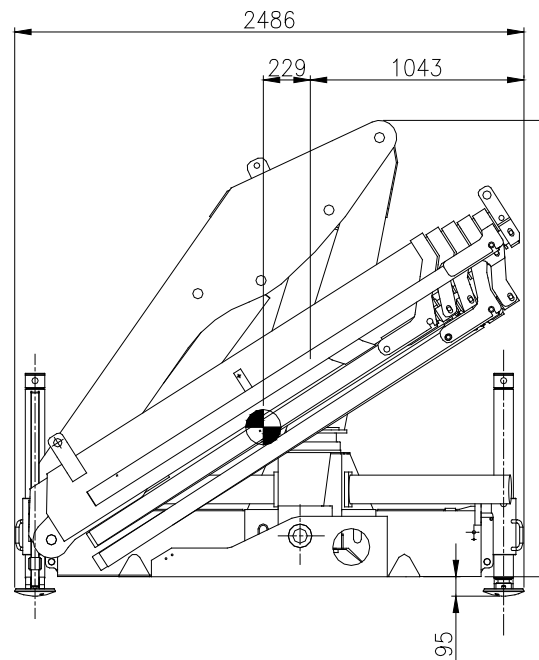
170 ESSENTIAL

Crane Dimensions

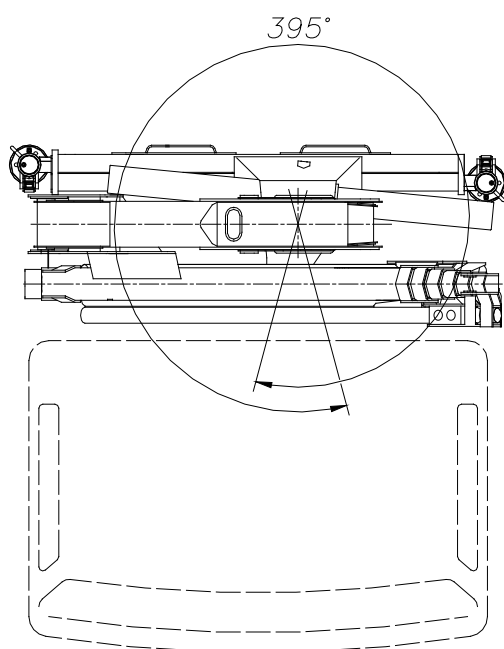
back cabin left



rear truck



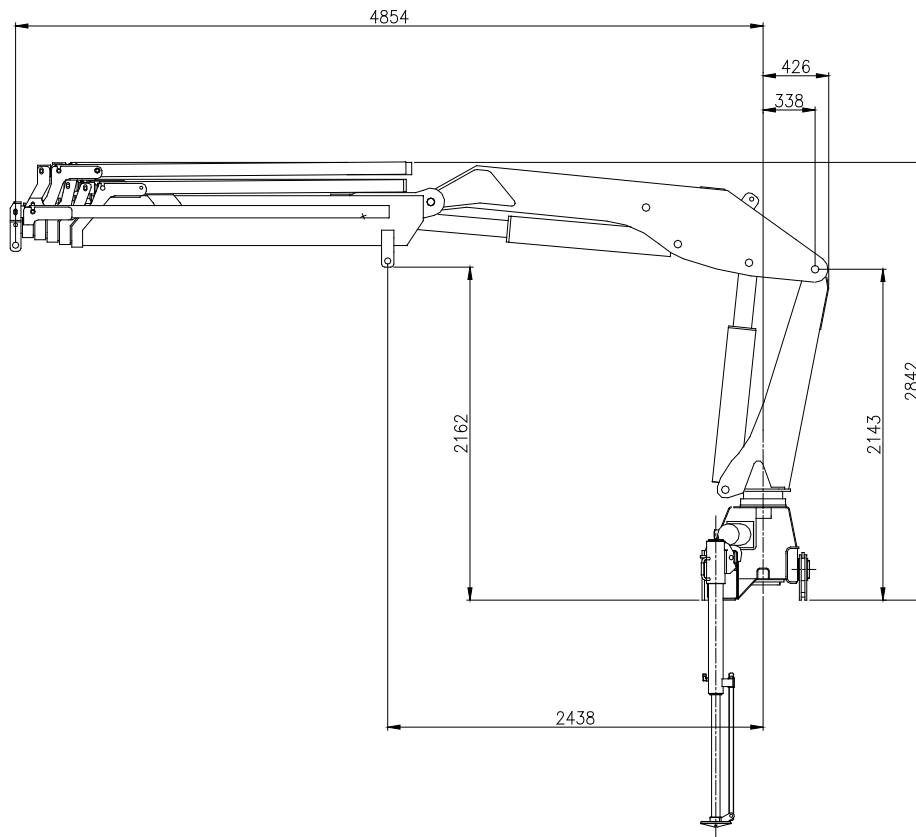
top cabin



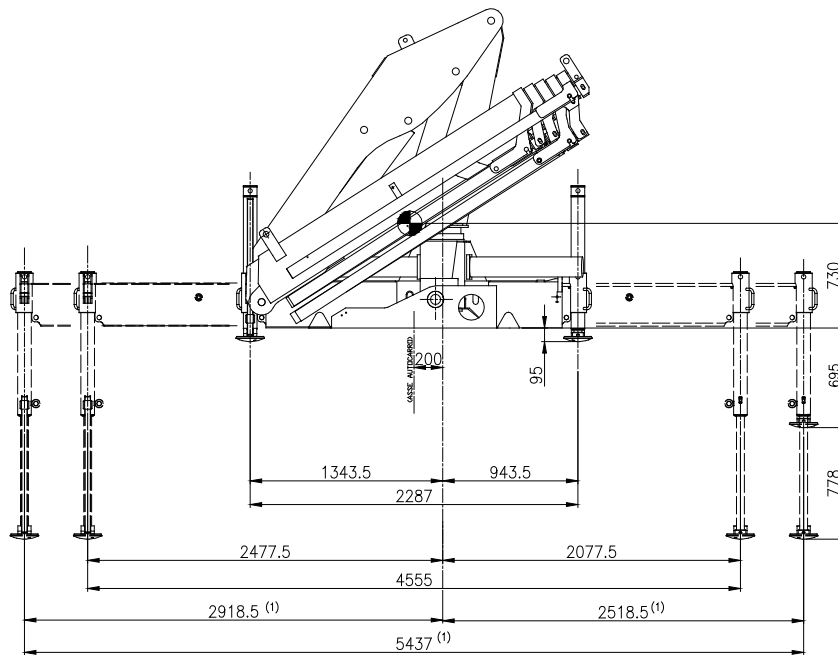
operational



operational



extended outriggers












* Note:
 Technical features are not binding.
 The company reserves itself the right to any modification without notice












170 ESSENTIAL

Technical Data

summarized data

									
	kN.m	bar	l/min	kg	°	mm	mm	mm	mm
170.1	168	300	40	1785	395	2486	831	2228	4555/5437
170.2	165	300	40	1985	395	2486	831	2228	4555/5437
170.3	162	300	40	2120	395	2486	834	2228	4555/5437
170.4	157	300	40	2250	395	2486	834	2228	4555/5437
170.5	153	300	40	2370	395	2486	920	2228	4555/5437

									
	lbs.ft	psi	gal/min	lbs	°	ft/inc	ft/inc	ft/inc	ft/inc
170.1	121730	4349	10,5	3935	395	8'2"	2'9"	7'4"	14'11"/17'10"
170.2	119343	4349	10,5	4367	395	8'2"	2'9"	7'4"	14'11"/17'10"
170.3	117173	4349	10,5	4664	395	8'2"	2'9"	7'4"	14'11"/17'10"
170.4	113868	4349	10,5	4950	395	8'2"	2'9"	7'4"	14'11"/17'10"
170.5	110989	4349	10,5	5214	395	8'2"	3'0"	7'4"	14'11"/17'10"

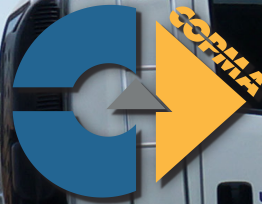
technical data

Max. lifting moment	168.3 kNm	121730 ft.lbs
Max. hydraulic outreach	14.8 m	48'7"
Slewing angle	395°	395°
Slewing torque	2280 daNm	16496 ft.lbs
Stabilizer spread	4.55/5.43 mt	14'11"/17'10"
Fitting space required (min./max)	0.83/0.92 m	2'9"/3'0"
Width folded	2.46 m	7'4"
Max. operating pressure	300 bar	4349 psi
Recommended pump capacity	40 l/min	10.5 US gal./min
Dead weight (vers .1)	1785 kg	3935 lbs

* Note:
 Technical features are not binding.
 The company reserves itself the right to any modification without notice







**GET READY TO A
BETTER LIFTING
EXPERIENCE**



COPMA 170



knuckle
boom
cranes



Powerful Synergies



CPS



**CPS
STEEL**

CPS GROUP S.P.A.

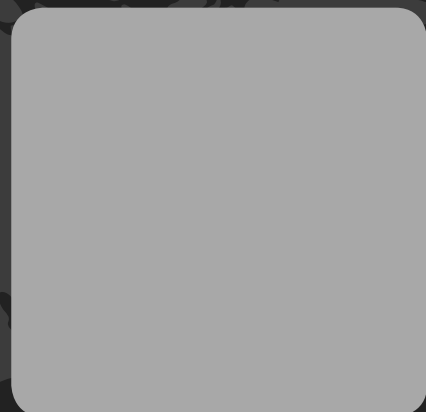
281 Via Emilia , Castel Bolognese (RA) , 48018
Italy

T +39 0546 653 711

sales.cpsgroup@cps-group.com

service.cpsgroup@cps-group.com

cps-group.com



COPMA MODEL 170 ESSENTIAL 6-2019 all rights reserved CPS GROUP

UNICERT
ISO 9001:2008

