



Powerful Synergies



COPMA

178

**ESSENTIAL
MODEL**

COPMA 178

Performance & Power

**178 IS INNOVATIVE ENGINEERING
FOR TOP PRECISION, EFFICIENCY,
SPEED AND PERFORMANCE.
AN ESSENTIAL MASTERPIECE
IN LIFTING TECHNOLOGY.**

- **ESSENTIAL model, load category - 17 Ton/Mt**
- **Essential in design, powerful in performance**
- **Robust arm system**
- **Simple and reliable**
- **Excellent operational safety**





**THE MOST
POWERFUL
CRANE FOR
THE TOUGHEST
MARKETS**



COPMA 178

More Safety & Security

**DESIGNED WITH THE HIGHEST
HYDRAULIC SYSTEMS AND THE
TOUGHEST STRUCTURAL STEEL
TO PERFORM THE MAXIMUM
LIFTING CAPACITY.**

- **Optimized and reliable hydraulic technology**
- **Column with high mechanical characteristics**
- **High Degree of User Friendliness**
- **Efficiency and Reliability thanks to essential design**
- **Excellent weight/performance ratio**





**DESIGNED
FOR FLEXIBLE
SERVICES**



COPMA 178

Technical Features

**CUTTING EDGE FEATURES FOR
MAXIMUM LIFTING POWER,
STABILITY AND OPERATIONAL
SAFETY IN EVERY WORKING
CONDITION.**

Standard features

- control
 - * **TAD**
control
 - * **CMS 1.0**
control
 - * **TES 2.0**
control
- structure
 - CCLS**
structure
 - NBS**
structure
 - RRP**
structure

optional features

- easy use
 - HLS 2.0**
easy use
 - MLS 2.0**
easy use
 - ERD**
easy use
 - HSE**
easy use
- control
 - WLC**
control
 - RRC 3.0**
control
 - * **CMS 2.0**
control

*E.C. market specific equipment



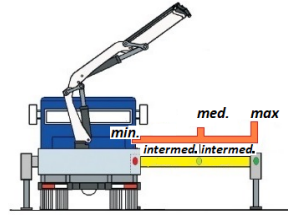
TAD
control
Transport Alert Device

Sensors on the basement control the correct closing of the beams and a column switch sensor indicates if the crane is in a folded position, no more than 4 Mt in height. The operator is warned with light and sound signals in the truck cabin.



TES 2.0
control
Truck Electronic Stability 2.0

Active stability control for performance optimization according to the type of stabilization (2) to guarantee maximum safety in all working conditions. Mandatory in the CE market, it helps a better vehicle-crane configuration.



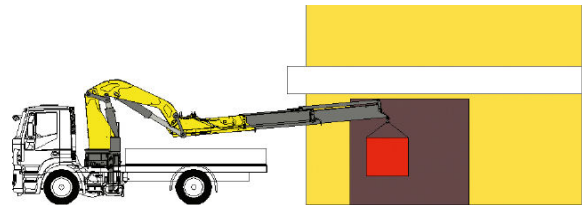
CMS 1.0
control
Crane Monitoring System 1.0

Crane stability control system TES1-TES2, safety control and overload control for medium-small cranes. Controlling the crane in 4 work areas, each area can have custom lifting settings depending on the vehicle stability.



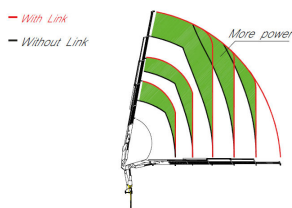
NBS
structure
Negative Boom System

The linkage on the articulation of the secondary boom permits the introduction of loads within restricted spaces. It enables the recovery of the deflection of the extension boom group due to the weight and the load raised on the extensions.



CCLS
structure
Constant Control Link

The cranes equipped with connecting rods on the articulations, with a constant lifting moment over the entire working arc, allow to 100% optimize the crane's capacity in positions close to the maximum vertical.



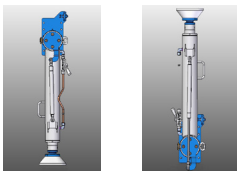
RRP
structure
Rotation Rack Pinion

The rotation system with rack and pinion is the best optimal solution for the most performative lifting capacity, it reduce the weights and crane dimension for the most compact configuration.



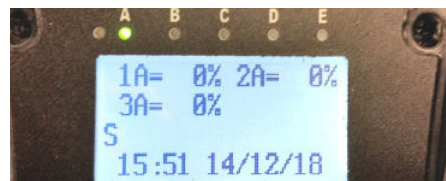
MLS 2.0
easy use
Manual Lifting Stabilizers 2.0

Manual raising of the stabilizers facilitated by a compressed gas cylinder which assists the operator during the rotation of the jack. This system assists the operator with less effort in adjusting the legs.



ERD
easy use
Electronic Radio Display

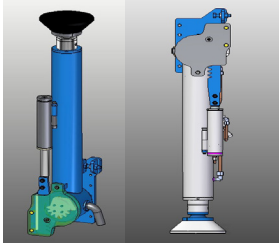
A display on the remote control allows the operator to maintain the total control of all the crane functions in real time by managing the work mode, the stability control, and oversee any maintenance and diagnostic messages.





Hydraulic Lifting Stabilizers 2.0

The cylinder of the stabilizer is lifted with an auxiliary jack, allowing the vertical movement within the bushes or rotating around a pin. It saves operative time in increasing the security of the setup.



High Speed Extension

Hydraulic system for reducing load losses and bottlenecks for the correct output sequence of the extensions by increasing the speed of 30%-60% thanks to the regenerative valve. Greater continuous performance thanks to lower fluid temperature.



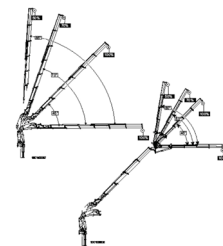
Radio Remote Control 3.0

Radio control with directly flanged actuation electronics with proportional distribution. The remote control allows operating the crane while constantly monitoring the areas of operation.



Winch Linear Control

The winch linear electronic control allows pulling the rope according to the working angle of the crane and the JIB . It optimize the load control and makes every movement easier and safer.



Crane Monitoring System 2.0

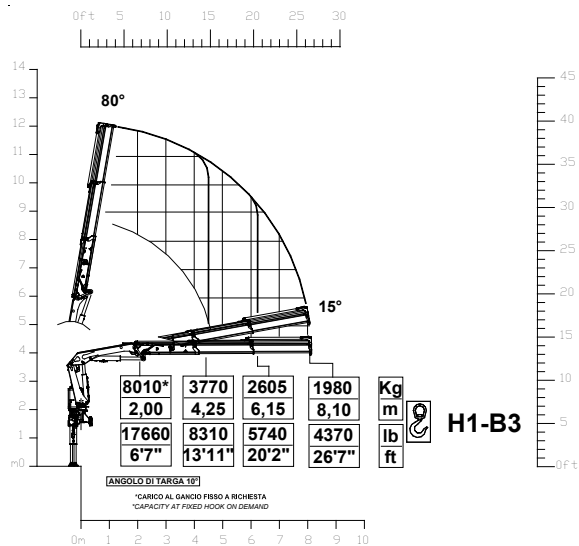
Crane stability control system TES2-TES3 with safety and overload controls and HPVE lifting speed management. Active control on 4-8 working areas according to the model and vehicle stability requirements.



178 ESSENTIAL

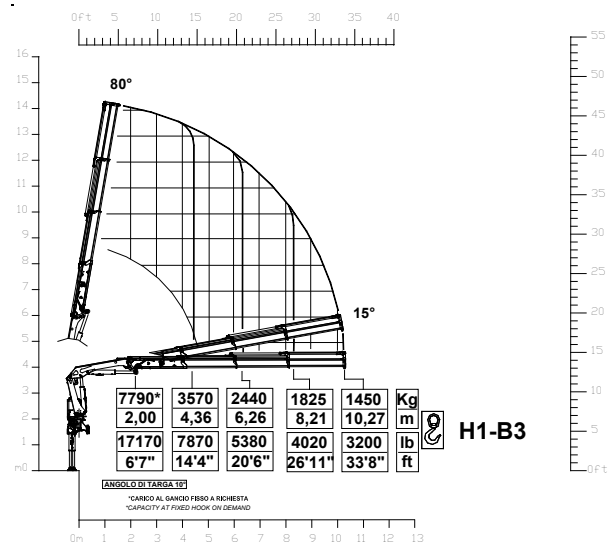
Load Charts

2 extensions



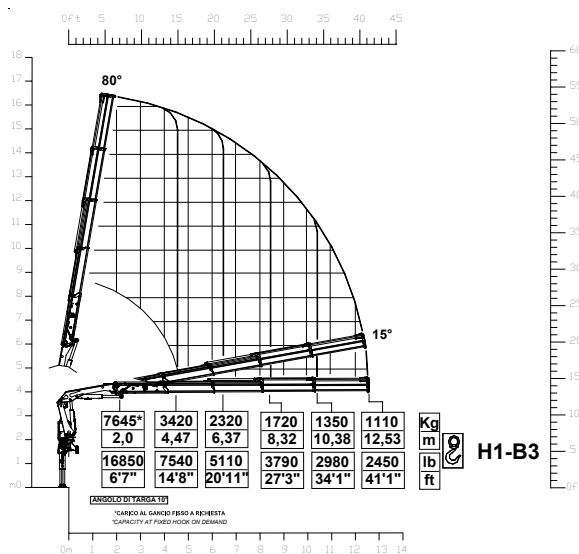
H1-B3

3 extensions



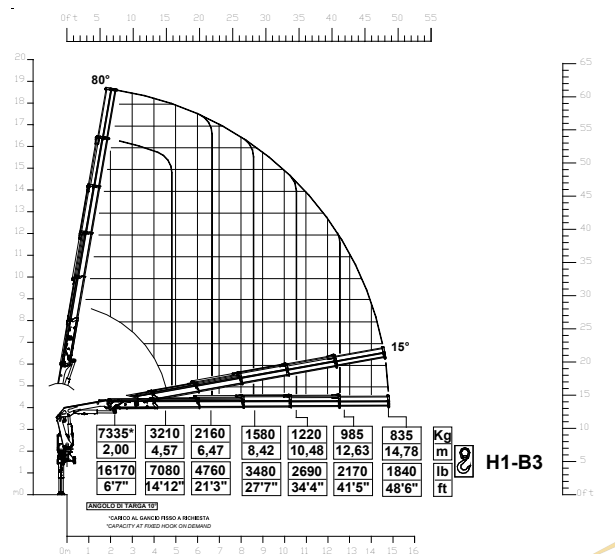
H1-B3

4 extensions



H1-B3

5 extensions



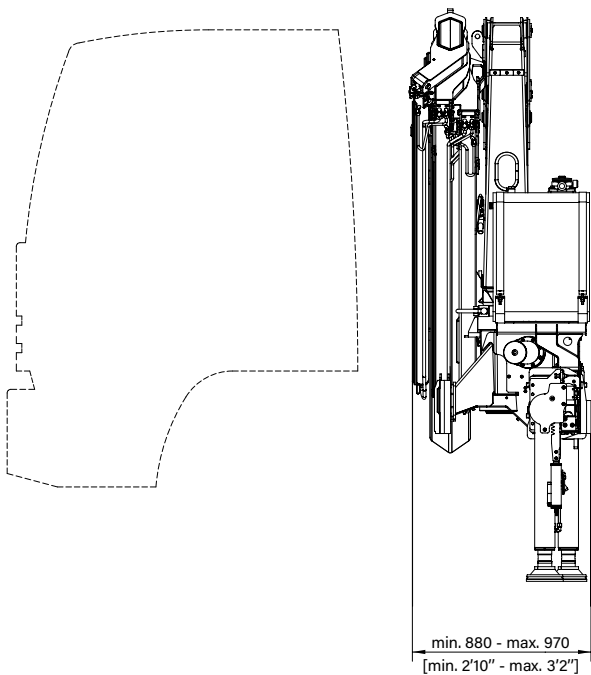
H1-B3



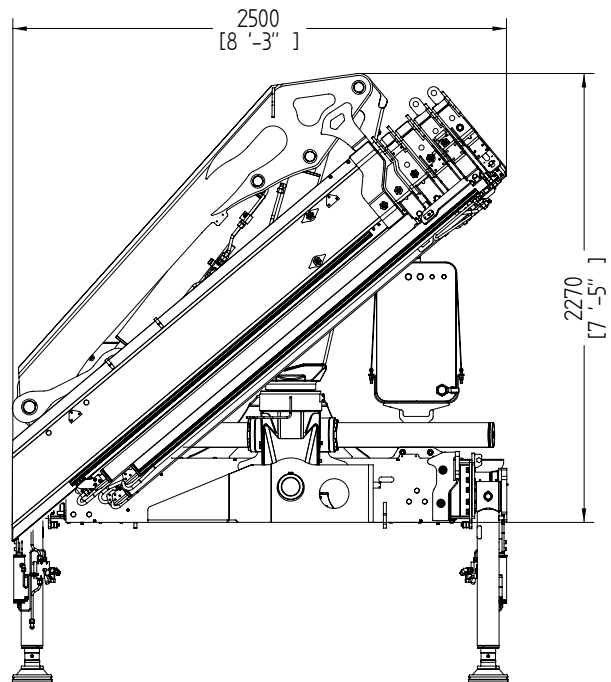
178 ESSENTIAL

Crane Dimensions

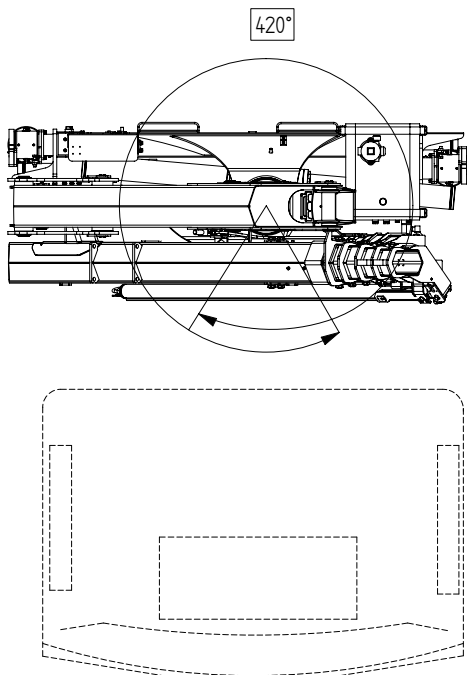
back cabin left



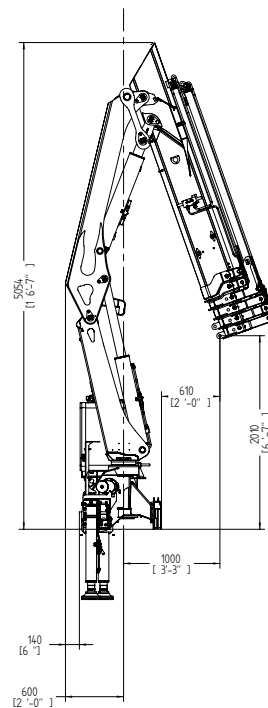
rear truck



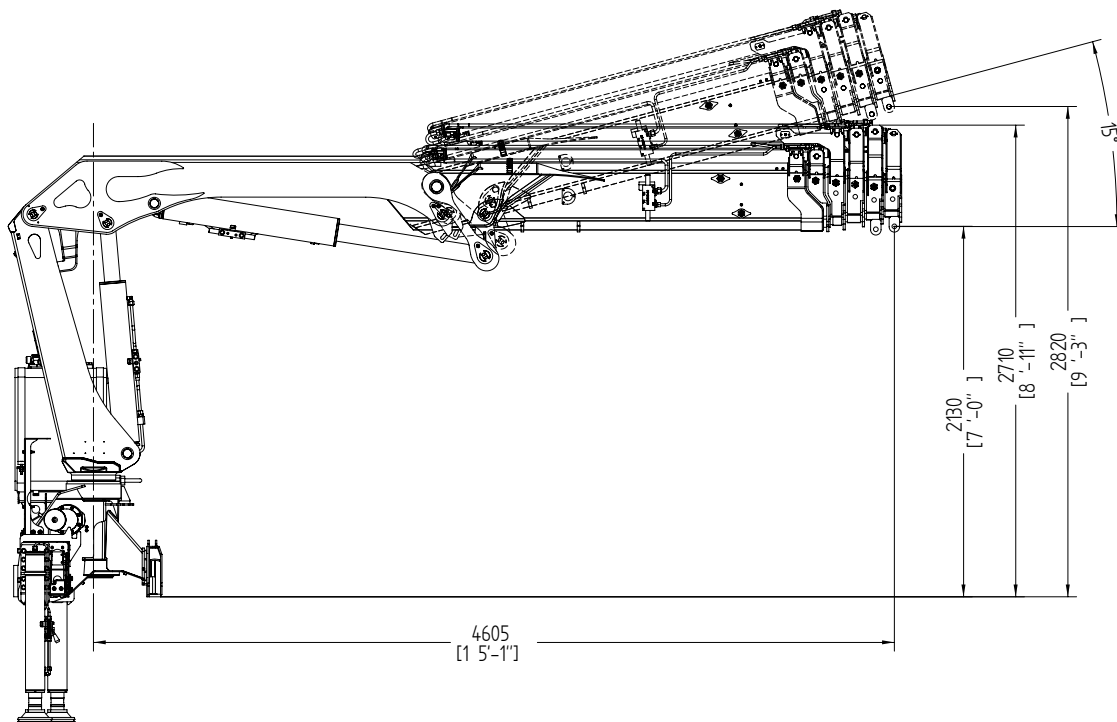
top cabin



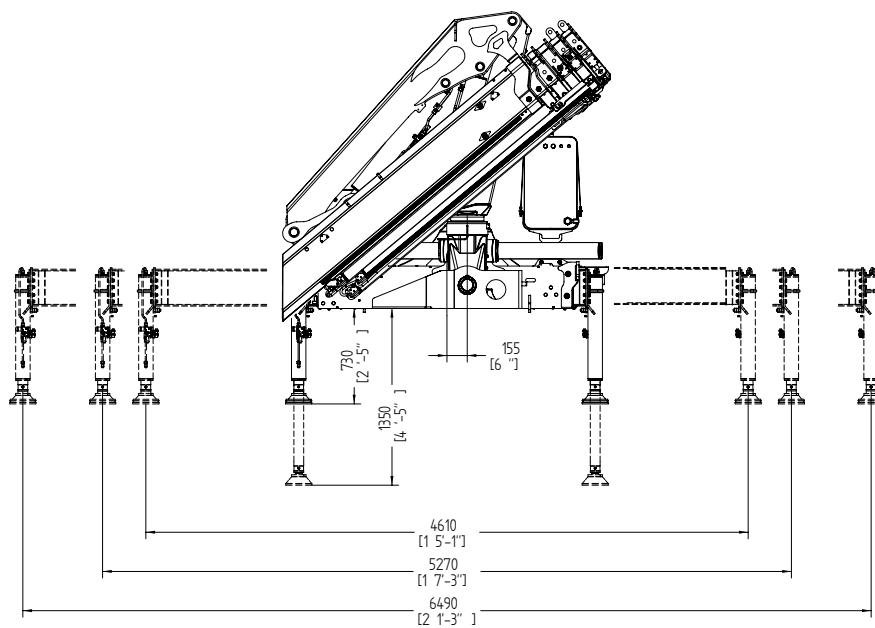
operational



operational



extended outriggers












* Note:
 Technical features are not binding.
 The company reserves itself the right to any modification without notice












178 ESSENTIAL

Technical Data

summarized data

									
	kN.m	bar	l/min	kg	°	mm	mm	mm	mm
178.2	157.3	300	40	1880	420	2500	880	2270	4600/5270/6500
178.3	152.9	300	40	2000	420	2500	880	2270	4600/5270/6500
178.4	150	300	40	2110	420	2500	910	2270	4600/5270/6500
178.5	143,9	300	40	2215	420	2500	970	2270	4600/5270/6500

									
	lbs.ft	psi	gal/min	lbs	°	ft/inc	ft/inc	ft/inc	ft/inc
178.2	115978	4641	13,21	4144	420	8'2"	2'10"	7'5"	15'1"-17'3"-21'3"
178.3	112734	4641	13,21	4409	420	8'2"	2'10"	7'5"	15'1"-17'3"-21'3"
178.4	110596	4641	13,21	4651	420	8'2"	3'	7'5"	15'1"-17'3"-21'3"
178.5	106098	4641	13,21	4883	420	8'2"	3'2"	7'5"	15'1"-17'3"-21'3"

technical data

Max. lifting moment	157.3 kNm	115978 ft.lbs
Max. hydraulic outreach	14.85 m	48'72"
Slewing angle	420°	420°
Slewing torque	2200 daNm	16220 ft.lbs
Stabilizer spread	4.60/5.27/6.5 mt	15'1" / 17'3" 21'3"
Fitting space required (min./max)	0.88 m/0.97 m	2'10"/3'2"
Width folded	2,50 m	8'2"
Max. operating pressure	300 bar	4641 psi
Recommended pump capacity	40 l/min	10.57 US gal./min
Dead weight (vers .2)	1880 kg	4144 lbs

* Note:
 Technical features are not binding.
 The company reserves itself the right to any modification without notice





SUPERIOR RELIABILITY FOR EVERY OPERATOR







GET READY TO A
BETTER LIFTING
EXPERIENCE



COPMA 178



knuckle
boom
cranes



Powerful Synergies



CPS



**CPS
STEEL**

CPS GROUP S.P.A.

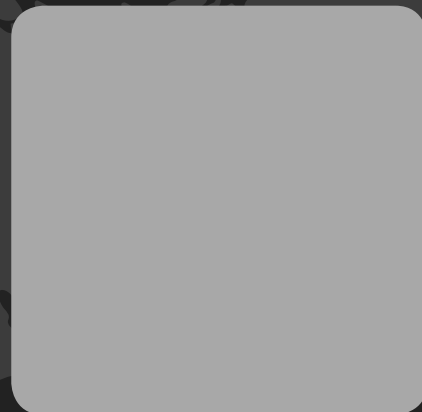
281 Via Emilia , Castel Bolognese (RA) , 48018
Italy

T +39 0546 653 711

sales.cpsgroup@cps-group.com

service.cpsgroup@cps-group.com

cps-group.com



COPMA MODEL 178 ESSENTIAL 6-2019 all rights reserved CPS GROUP

