



Powerful Synergies



COPMA

198

ESSENTIAL
MODEL



COPMA 198

Performance & Power

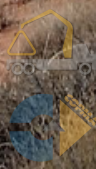
**198 IS INNOVATIVE ENGINEERING
FOR TOP PRECISION, EFFICIENCY,
SPEED AND PERFORMANCE.
AN ESSENTIAL MASTERPIECE
OF LIFTING TECHNOLOGY.**

- **ESSENTIAL model, load category - 19 Ton/Mt.**
- **Essential in design, powerful in performance**
- **Robust arm system**
- **Simple and reliable**
- **Excellent operational safety**





**THE MOST
POWERFUL
CRANE FOR
THE TOUGHEST
MARKETS**



COPMA 198

More Safety & Security

**DESIGNED WITH THE HIGHEST
HYDRAULIC SYSTEMS AND THE
TOUGHEST STRUCTURAL STEEL
TO PERFORM THE MAXIMUM
LIFTING CAPACITY.**

- **Optimized and reliable hydraulic technology**
- **Column with high mechanical characteristics**
- **High Degree of User Friendliness**
- **Efficiency and Reliability thanks to essential design**
- **Excellent weight/performance ratio**












**DESIGNED
FOR FLEXIBLE
SERVICES**

COPMA 198

Technical Features

**CUTTING EDGE FEATURES
FOR MAXIMUM LIFTING
POWER, STABILITY AND
OPERATIONAL SAFETY IN EVERY
WORKING CONDITION.**

Standard features

- easy use 
- control   
- structure   

optional features

- easy use    
- control   

*E.C. market specific equipment





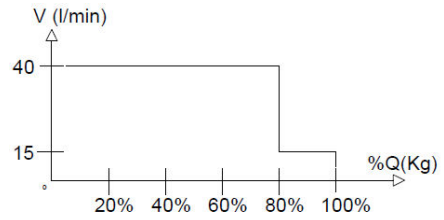
Crane Monitoring System 1.0

Crane stability control system TES1-TES2, safety control and overload control for medium-small cranes. Controlling the crane in 4 work areas, each area can have custom lifting settings depending on the vehicle stability.



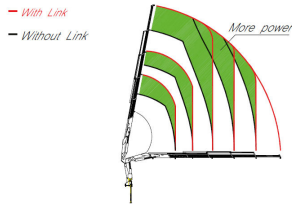
High Power Velocity Hydraulic

Fully automatic hydraulic system for adjusting the crane lifting speed according to the maximum working pressure. With this system load capacity of the machine is optimized by reducing the dynamic structural effects.



Constant Control Link

The cranes equipped with connecting rods on the articulations, with a constant lifting moment over the entire working arc, allow to 100% optimize the crane's capacity in positions close to the maximum vertical.



Transport Alert Device

Sensors on the basement control the correct closing of the beams and a column switch sensor indicates if the crane is in a folded position, no more than 4 mt in height. The operator is warned with light and sound signals in the truck cabin.



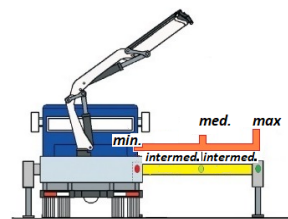
Rotation Rack Pinion

The rotation system with rack and pinion is the best optimal solution for the most performative lifting capacity, it reduce the weights and crane dimension for the most compact configuration.



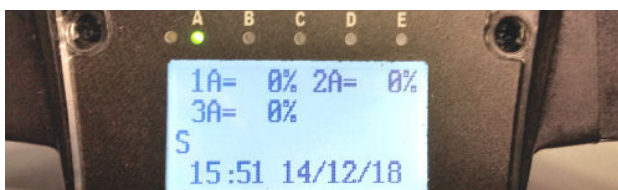
Truck Electronic Stability 2.0

Active stability control for performance optimization according to the type of stabilization (2) to guarantee maximum safety in all working conditions. Mandatory in the CE market, it helps a better vehicle-crane configuration.



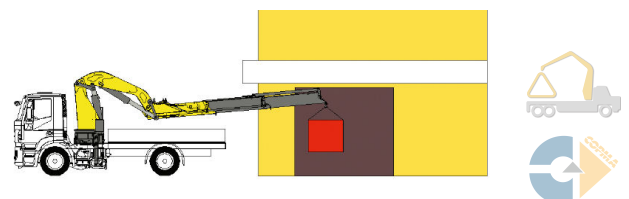
Electronic Radio Display

A display on the remote control allows the operator to maintain the total control of all the crane functions in real time by managing the work mode, the stability control, and oversee any maintenance and diagnostic messages.



Negative Boom System

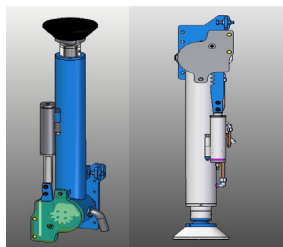
The linkage on the articulation of the secondary boom permits the introduction of loads within restricted spaces. It enables the recovery of the deflection of the extension boom group due to the weight and the load raised on the extensions.





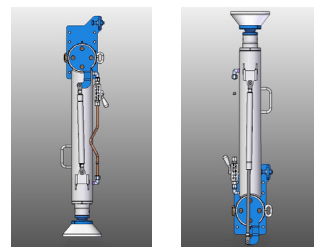
Hydraulic Lifting Stabilizers 2.0

The cylinder of the stabilizer is lifted with an auxiliary jack, allowing the vertical movement within the bushes or rotating around a pin. It saves operative time in increasing the security of the setup.



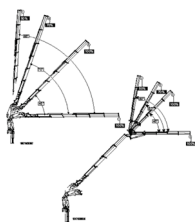
Manual Lifting Stabilizers 2.0

Manual raising of the stabilizers facilitated by a compressed gas cylinder which assists the operator during the rotation of the jack. This system assists the operator with less effort in adjusting the legs.



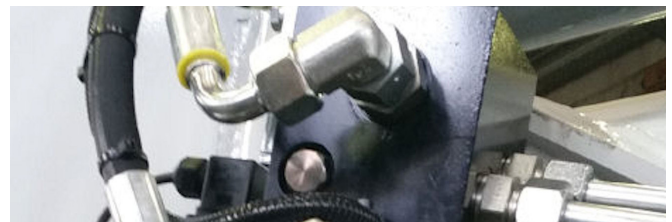
Winch Linear Control

The winch linear electronic control allows pulling the rope according to the working angle of the crane and the JIB. It optimizes the load control and makes every movement easier and safer.



High Speed Extension

Hydraulic system for reducing load losses and bottlenecks for the correct output sequence of the extensions by increasing the speed of 30%-60% thanks to the regenerative valve. Greater continuous performance thanks to lower fluid temperature.



Crane Monitoring System 2.0

Crane stability control system TES2-TES3 with safety and overload controls and HPVE lifting speed management. Active control on 4-8 working areas according to the model and vehicle stability requirements.



Radio Remote Control 3.0

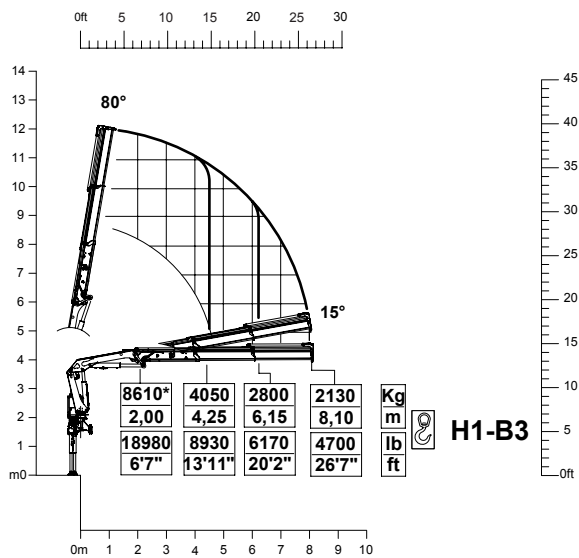
Radio control with directly flanged actuation electronics with proportional distribution. The remote control allows operating the crane while constantly monitoring the areas of operation.



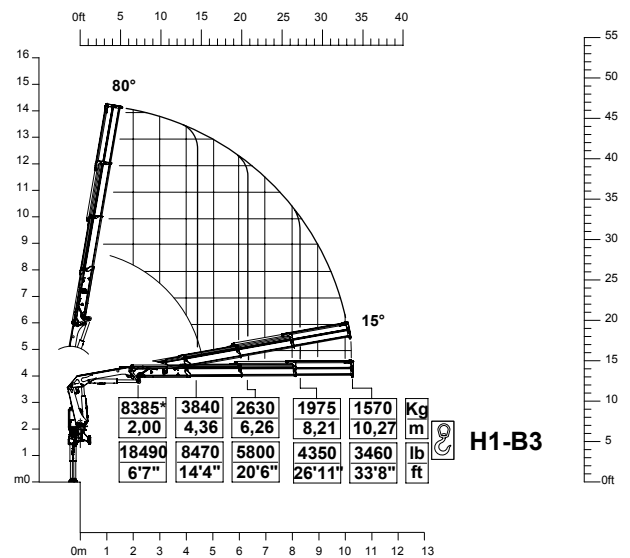
198 ESSENTIAL

Load Charts

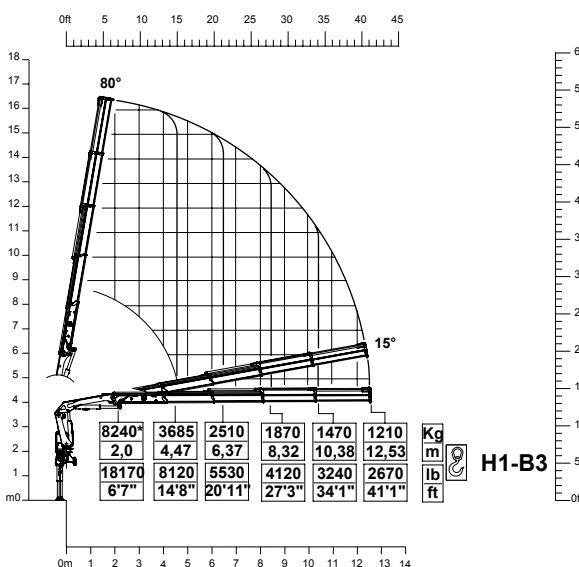
2 extensions



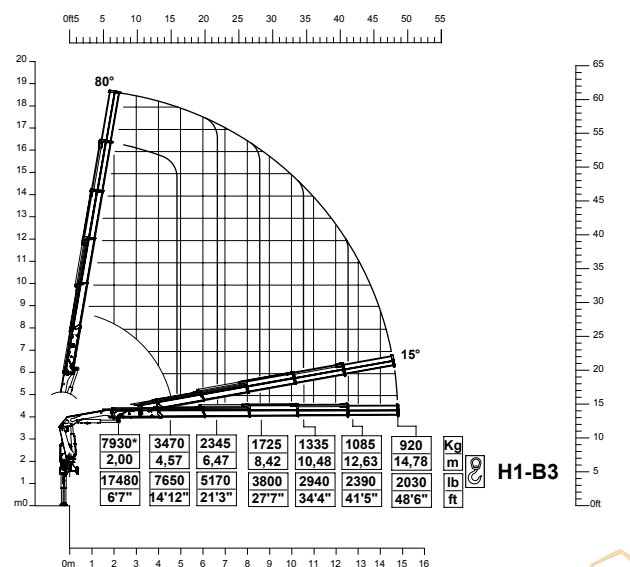
3 extensions



4 extensions



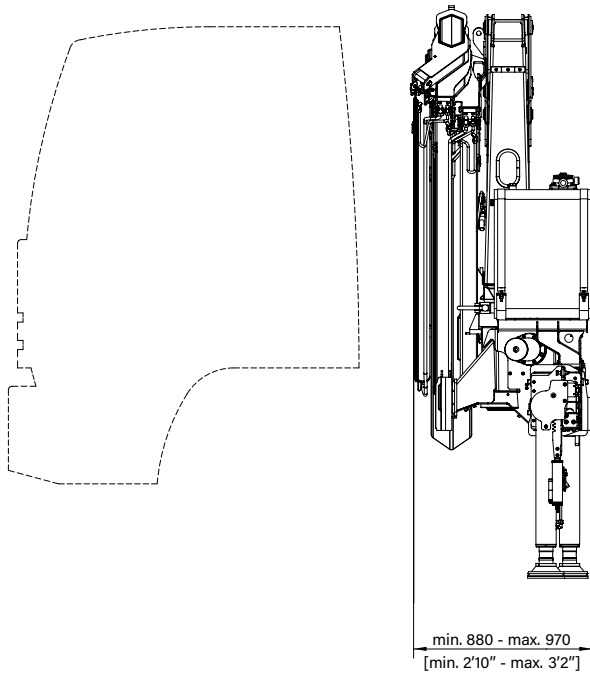
5 extensions



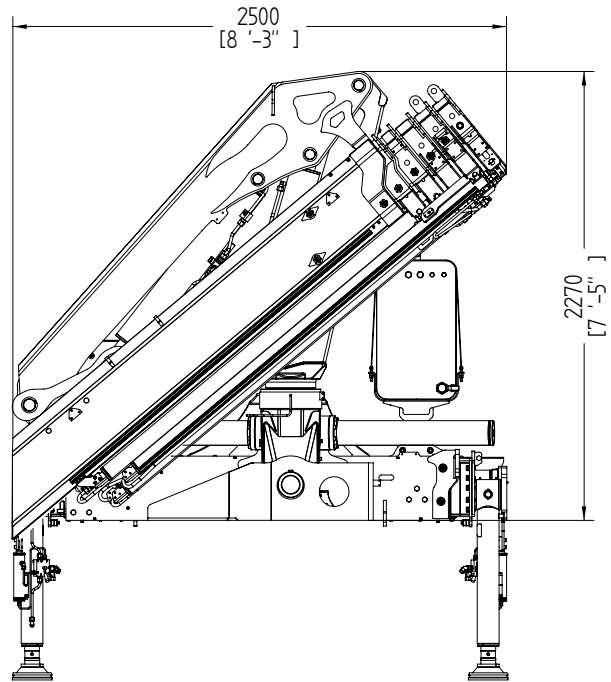
198 ESSENTIAL

Crane Dimensions

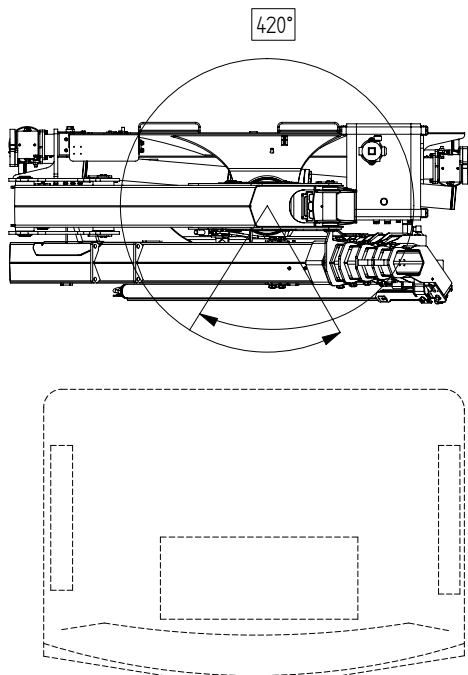
back cabin left



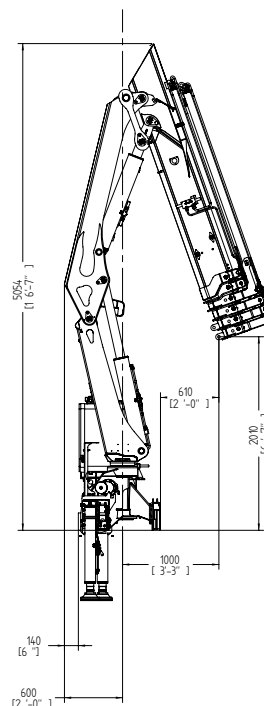
rear truck



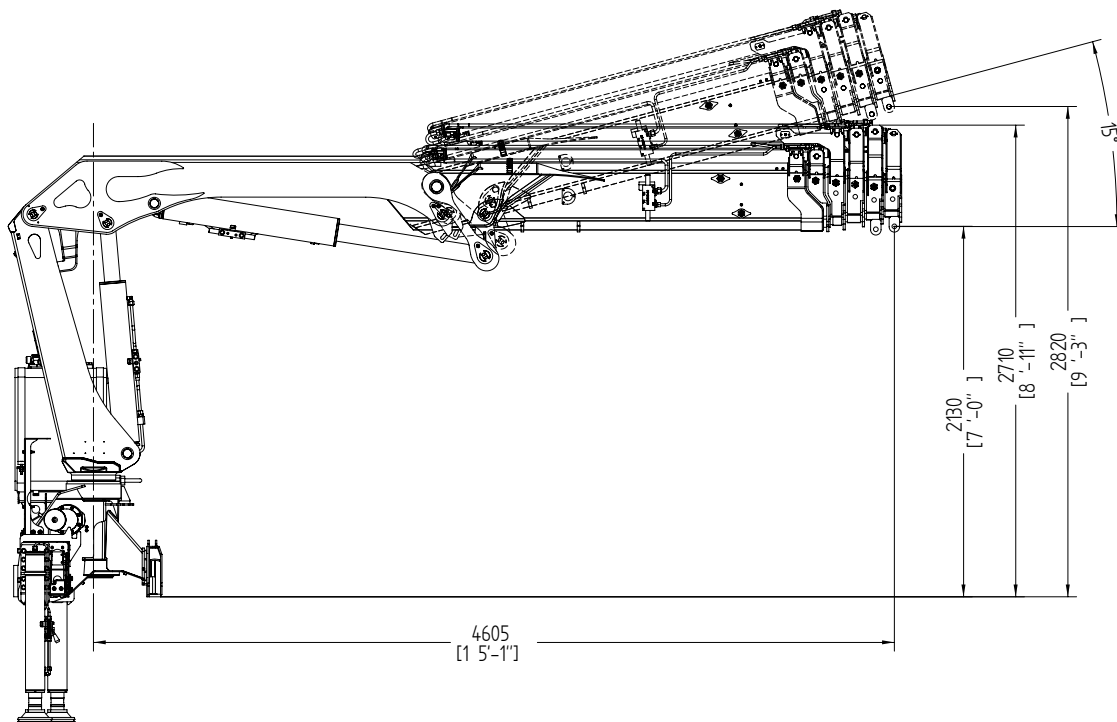
top cabin



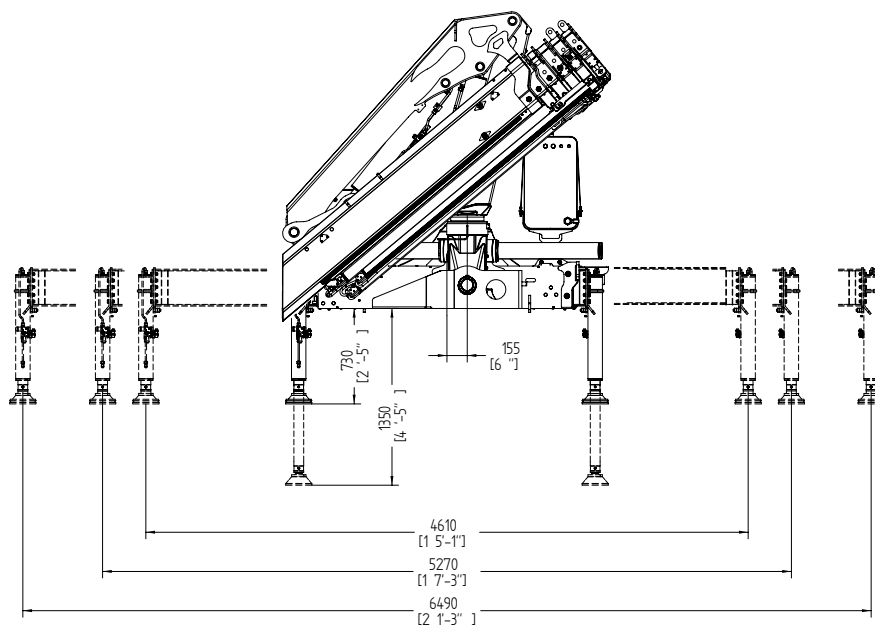
operational



operational



extended outriggers












* Note:
 Technical features are not binding.
 The company reserves itself the right to any modification without notice












198 ESSENTIAL

Technical Data

summarized data

									
	kN.m	bar	l/min	kg	°	mm	mm	mm	mm
198.2	169	320	50	1880	420	2500	880	2270	4600/5270/6500
198.3	164,5	320	50	2000	420	2500	880	2270	4600/5270/6500
198.4	161.7	320	50	2110	420	2500	910	2270	4600/5270/6500
198.5	155,6	320	50	2215	420	2500	970	2270	4600/5270/6500

									
	lbs.ft	psi	gal/min	lbs	°	ft/inc	ft/inc	ft/inc	ft/inc
198.2	124752	4641	13,21	4144	420	8'2"	2'10"	7'5"	15'1"-17'3"-21'3"
198.3	121287	4641	13,21	4409	420	8'2"	2'10"	7'5"	15'1"-17'3"-21'3"
198.4	119222	4641	13,21	4651	420	8'2"	3'	7'5"	15'1"-17'3"-21'3"
198.5	114725	4641	13,21	4883	420	8'2"	3'2"	7'5"	15'1"-17'3"-21'3"

technical data

Max. lifting moment	169 kNm	124753 ft.lbs
Max. hydraulic outreach	14.85 m	48'62"
Slewing angle	420°	420°
Slewing torque	2200 daNm	16220 ft.lbs
Stabilizer spread	4.60/5.27/6.5 mt	15'1"/ 17'3" 21'3"
Fitting space required (min./max)	0.80 m/0.97 m	2'10"/3'2"
Width folded	2,50 m	8'2"
Max. operating pressure	320 bar	4641 psi
Recommended pump capacity	50 l/min	13.21 US gal./min
Dead weight (vers .2)	1880 kg	4145 lbs

* Note:
 Technical features are not binding.
 The company reserves itself the right to any modification without notice





**SUPERIOR
RELIABILITY
FOR EVERY
OPERATOR**







**GET READY TO A
BETTER LIFTING
EXPERIENCE**



COPMA 198



knuckle
boom
cranes



Powerful Synergies



CPS



**CPS
STEEL**

CPS GROUP S.P.A.

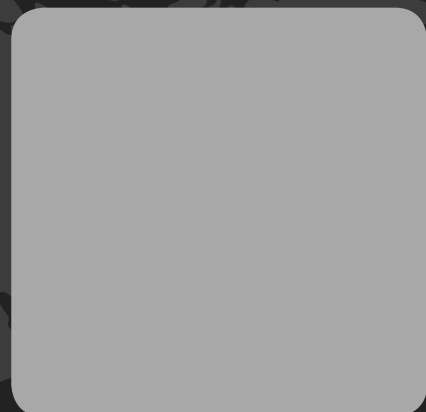
281 Via Emilia , Castel Bolognese (RA) , 48018
Italy

T +39 0546 653 711

sales.cpsgroup@cps-group.com

service.cpsgroup@cps-group.com

cps-group.com



COPMA MODEL 198 ESSENTIAL 6-2019 all rights reserved CPS GROUP

