



Powerful Synergies



COPMA

200

ESSENTIAL MODEL

COPMA 200

Performance & Power

**200 IS INNOVATIVE ENGINEERING
FOR TOP PRECISION, EFFICIENCY,
SPEED AND PERFORMANCE.
AN ESSENTIAL MASTERPIECE
IN LIFTING TECHNOLOGY.**

- **ESSENTIAL model, load category - 20 Ton/Mt**
- **Essential in design, powerful in performance**
- **Robust arm system**
- **Simple and reliable**
- **Excellent operational safety**





COPMA
2200



**THE MOST
POWERFUL
CRANE FOR
THE TOUGHEST
MARKETS**



COPMA 200

More Safety & Security

**DESIGNED WITH THE HIGHEST
HYDRAULIC SYSTEMS AND THE
TOUGHEST STRUCTURAL STEEL
TO PERFORM THE MAXIMUM
LIFTING CAPACITY.**

- **Optimized and reliable hydraulic technology**
- **Column with high mechanical characteristics**
- **High Degree of User Friendliness**
- **Efficiency and Reliability thanks to essential design**
- **Excellent weight/performance ratio**





**DESIGNED
FOR FLEXIBLE
SERVICES**



COPMA 200

Technical Features

**CUTTING EDGE FEATURES
FOR MAXIMUM LIFTING
POWER, STABILITY AND
OPERATIONAL SAFETY IN EVERY
WORKING CONDITION.**

Standard features

- easy use



- control



- structure



optional features

- easy use



- control



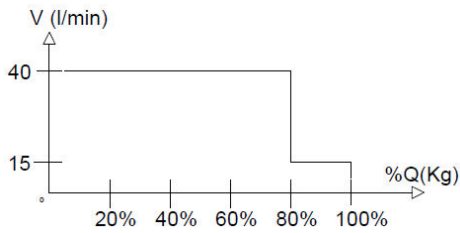
*E.C. market specific equipment





High Power Velocity Hydraulic

Fully automatic hydraulic system for adjusting the crane lifting speed according to the maximum working pressure. With this system load capacity of the machine is optimized by reducing the dynamic structural effects.



Transport Alert Device

Sensors on the basement control the correct closing of the beams and a column switch sensor indicates if the crane is in a folded position, no more than 4 mt in height. The operator is warned with light and sound signals in the truck cabin.



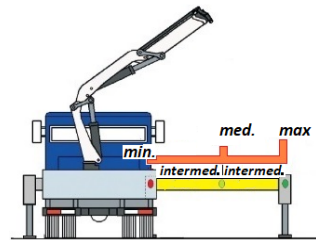
Crane Monitoring System 1.0

Crane stability control system TES1-TES2, safety control and overload control for medium-small cranes. Controlling the crane in 4 work areas, each area can have custom lifting settings depending on the vehicle stability.



Truck Electronic Stability 2.0

Active stability control for performance optimization according to the type of stabilization (2) to guarantee maximum safety in all working conditions. Mandatory in the CE market, it helps a better vehicle-crane configuration.



Rotation Rack Pinion

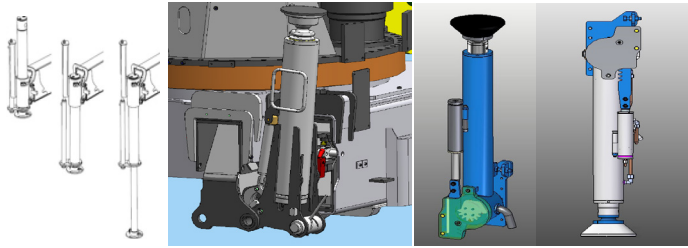
The rotation system with rack and pinion is the best optimal solution for the most performative lifting capacity, it reduce the weights and crane dimension for the most compact configuration.





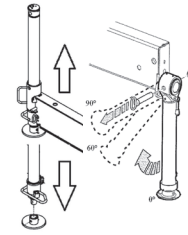
Hydraulic Lifting Stabilizers 2.0

The cylinder of the stabilizer is lifted with an auxiliary jack, allowing the vertical movement within the bushes or rotating around a pin. It saves operative time in increasing the security of the setup.



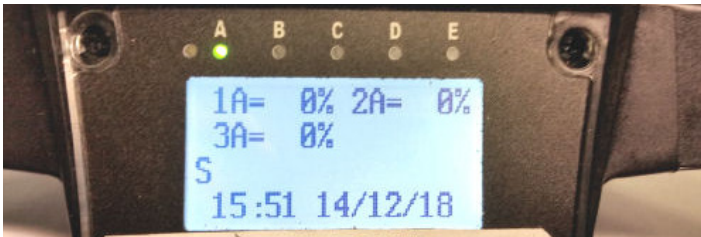
Manual Lifting Stabilizers 1.0

Manual lifting of the crane legs. The manual lifting of the legs helps the operator adjust its extension manually without additional assistance from electronics or hydraulic controls.



Electronic Radio Display

A display on the remote control allows the operator to maintain the total control of all the crane functions in real time by managing the work mode, the stability control, and oversee any maintenance and diagnostic messages.



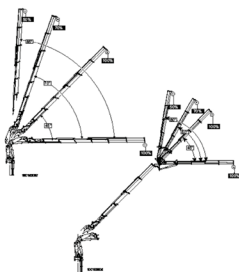
Radio Remote Control 3.0

Radio control with directly flanged actuation electronics with proportional distribution. The remote control allows operating the crane while constantly monitoring the areas of operation.



Winch Linear Control

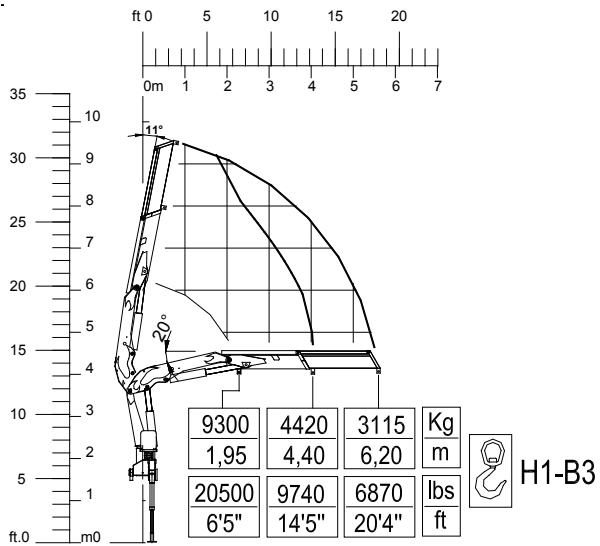
The winch linear electronic control allows pulling the rope according to the working angle of the crane and the JIB. It optimizes the load control and makes every movement easier and safer.



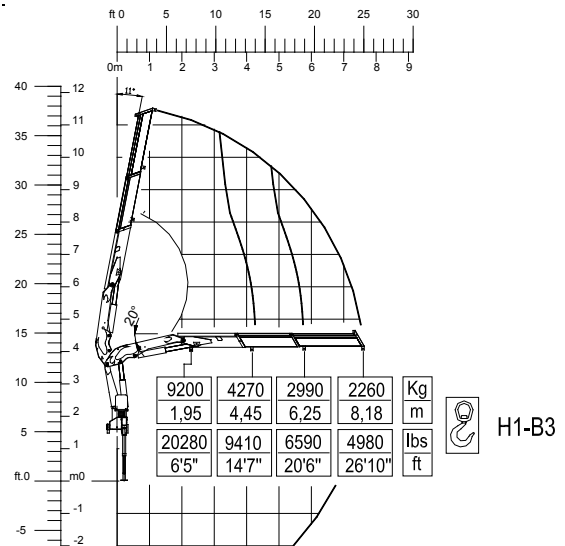
200 ESSENTIAL

Load Charts

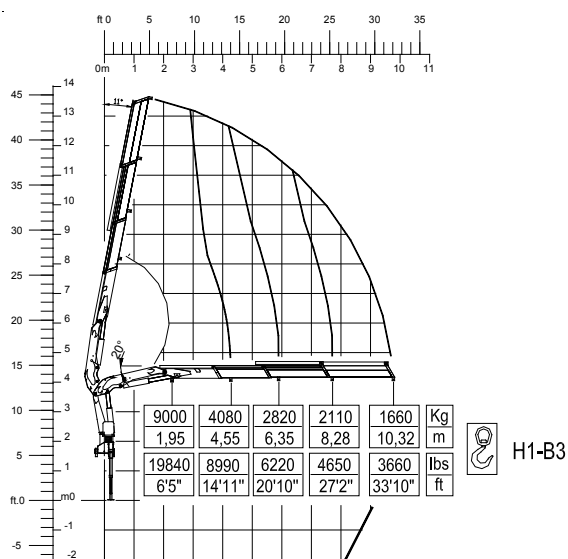
1 extensions



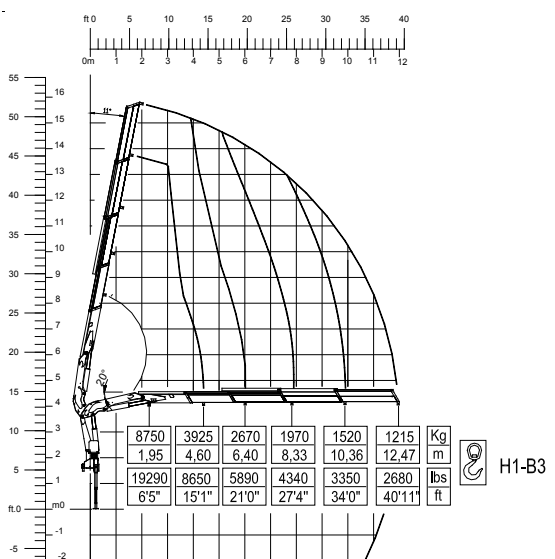
2 extensions



3 extensions



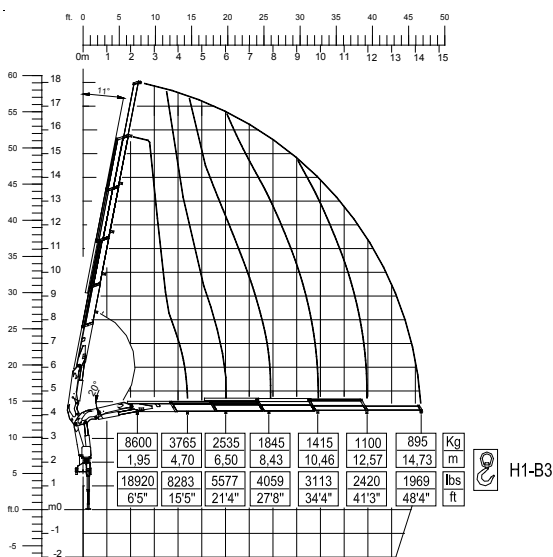
4 extensions





**SUPERIOR
RELIABILITY
FOR EVERY
OPERATOR**

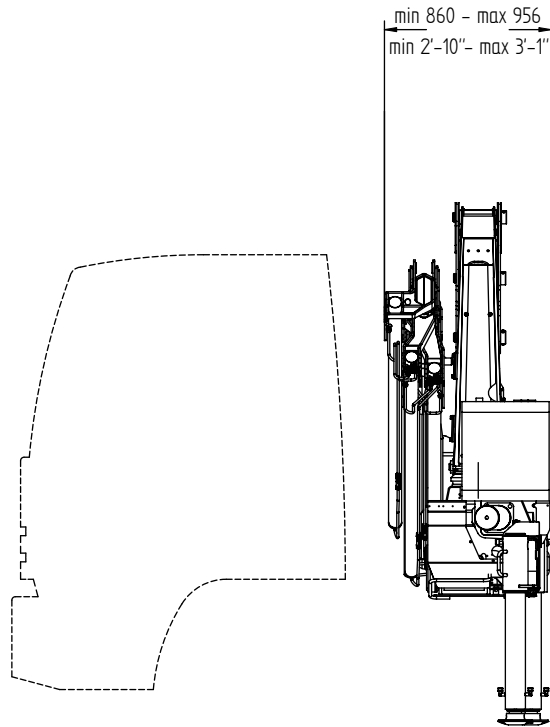
5 extentions



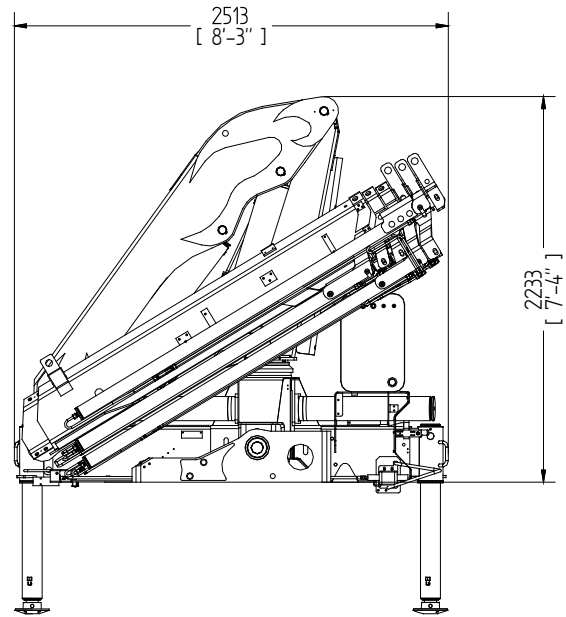
200 ESSENTIAL

Crane Dimensions

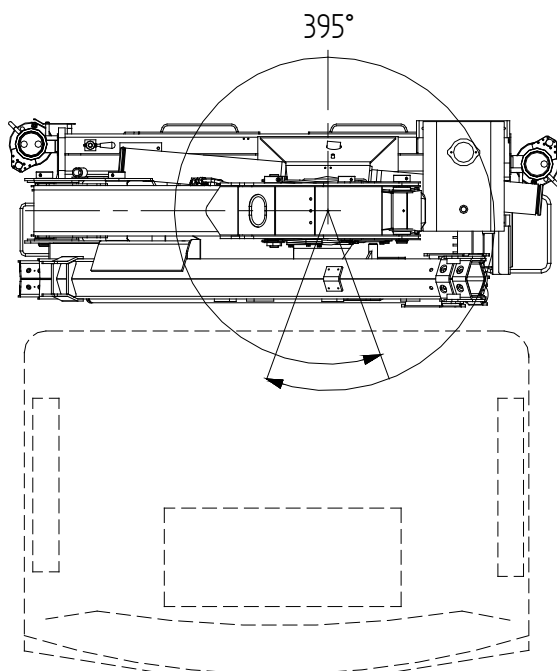
back cabin left



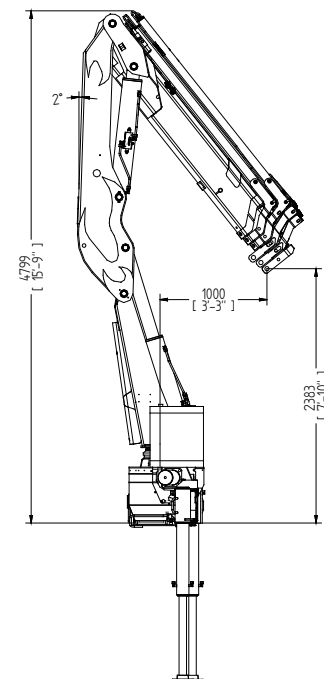
rear truck



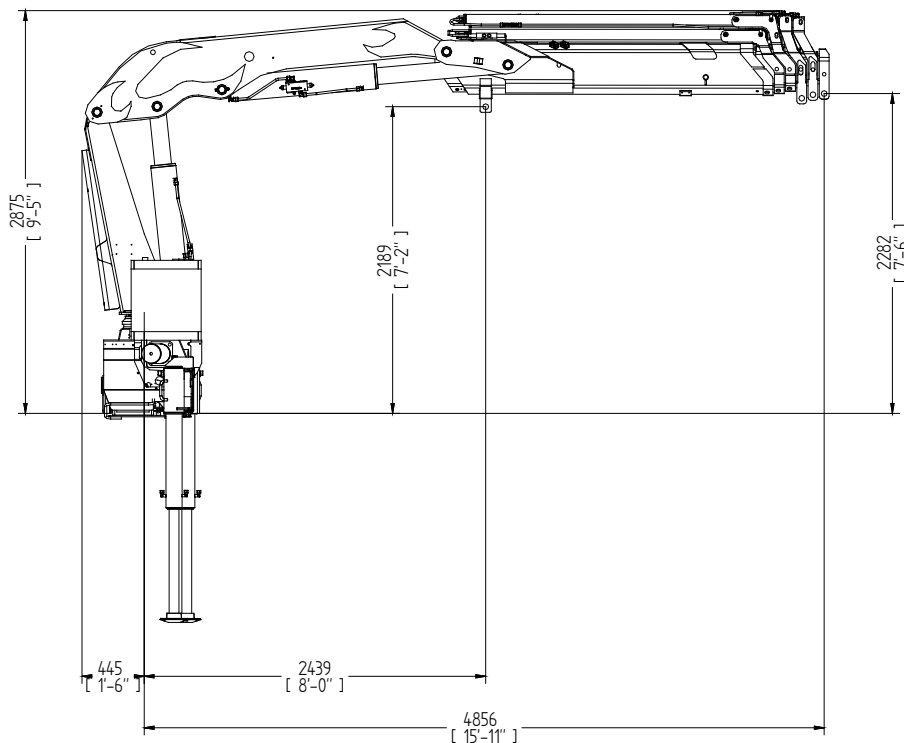
top cabin



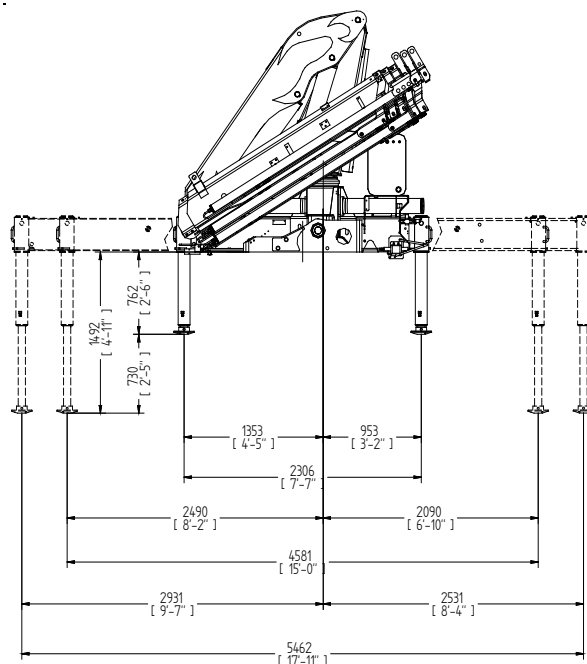
operational



operational



extended outriggers












* Note:
 Technical features are not binding.
 The company reserves itself the right to any modification without notice












200 ESSENTIAL

Technical Data

summarized data

									
	kN.m	bar	l/min	kg	°	mm	mm	mm	mm
200.1	191	300	40	1960	395	2513	860	2228	4555/5437
200.2	186,5	300	40	2090	395	2513	860	2228	4555/5437
200.3	182	300	40	2220	395	2513	860	2228	4555/5437
200.4	177	300	40	2350	395	2513	860	2228	4555/5437
200.5	174	300	40	2480	395	2513	956	2228	4555/5437

									
	lbs.ft	psi	gal/min	lbs	°	ft/inc	ft/inc	ft/inc	ft/inc
200.1	140636	4349	10,5	4321	395	8'2"	2'10"	7'4"	14'11"/17'10"
200.2	137459	4349	10,5	4610	395	8'2"	2'10"	7'4"	14'11"/17'10"
200.3	134046	4349	10,5	4894	395	8'2"	2'10"	7'4"	14'11"/17'10"
200.4	130684	4349	10,5	5182	395	8'2"	2'10"	7'4"	14'11"/17'10"
200.5	125854	4349	10,5	5456	395	8'2"	3'1"	7'4"	14'11"/17'10"

technical data

Max. lifting moment	191 kNm	140636 ft.lbs
Max. hydraulic outreach	14.73 m	48'4"
Slewing angle	395°	395°
Slewing torque	3100 daNm	22422 ft.lbs
Stabilizer spread	4.55/5.43 mt	14'11"/17'10"
Fitting space required (min./max)	0.86 m/0.95 m	2'10"/3'1"
Width folded	2,51 m	8'2"
Max. operating pressure	300 bar	4349 psi
Recommended pump capacity	40 l/min	10.5 US gal./min
Dead weight (vers .2)	1960 kg	4321 lbs

Note:
 Technical features are not binding.
 The company reserves itself the right to any modification without notice







**GET READY TO A
BETTER LIFTING
EXPERIENCE**



COPMA 200



knuckle
boom
cranes



Powerful Synergies



CPS



**CPS
STEEL**

CPS GROUP S.P.A.

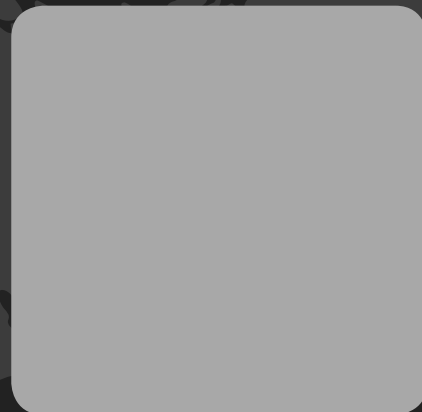
281 Via Emilia , Castel Bolognese (RA) , 48018
Italy

T +39 0546 653 711

sales.cpsgroup@cps-group.com

service.cpsgroup@cps-group.com

cps-group.com



COPMA MODEL 200 ESSENTIAL 6-2019 all rights reserved CPS GROUP

