



Powerful Synergies



cps-group.com



COPMA[®] 2000

TOP RANGE
MODEL

NOYENS
KASTERLEE

NOYENS
KASTERLEE

COPMA 2000

Performance & Power

**2000 HAS COMPACT DIMENSIONS
AND OPTIMIZED WEIGHTS WITH A
CUSTOMIZED DESIGN FOR MORE
POWER AND RELIABILITY AT
EVERY OPERATOR NEED.**

- **TOP RANGE - HEAVY RANGE model, load category - 200 Ton/Mt**
- **High tensile strength steel**
- **Efficient safety system**
- **Reliability, speed and precision**
- **Extra long working life cycle**
- **Easier maintenance operations**





**THE MOST
POWERFUL
CRANE FOR
THE TOUGHEST
MARKETS**

COPMA 2000

More Safety & Security

**DESIGNED WITH THE HIGHEST
HYDRAULIC SYSTEMS AND THE
TOUGHEST STRUCTURAL STEEL
TO PERFORM THE MAXIMUM
LIFTING CAPACITY.**

- **Superior Hydraulic Technology**
- **Dynamic Electronic Controls**
- **High Degree of User Friendliness**
- **Efficiency and Reliability thanks to superior structural features**
- **More Efficiency with advanced electronic controls**





CUTTING EDGE FEATURES FOR MAXIMUM LIFTING POWER, STABILITY AND OPERATIONAL SAFETY IN EVERY WORKING CONDITION.

Technical Features

Standard features

- easy use



- control



- structure



optional features

- control

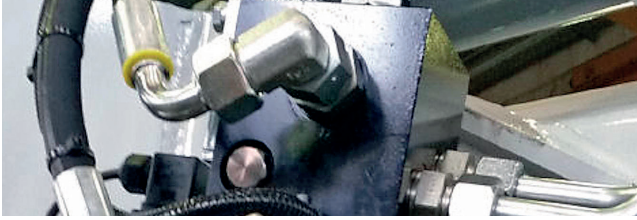


*E.C. market specific equipment



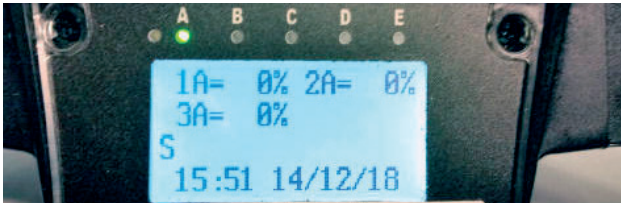
HSE
easy use
High Speed Extension

Hydraulic system for reducing load losses and bottlenecks for the correct output sequence of the extensions by increasing the speed of 30%-60% thanks to the regenerative valve. Greater continuous performance thanks to lower fluid temperature.



ERD
easy use
Electronic Radio Display

A display on the remote control allows the operator to maintain the total control of all the crane functions in real time by managing the work mode, the stability control, and oversee any maintenance and diagnostic messages.



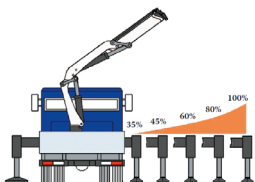
TAD
control
Transport Alert Device

Sensors on the basement controls the correct closing of the beams, and a column switch sensor indicates the crane folded position, no more than 4 mt in height. The operator is warned with light and sound signals in the truck cabin.



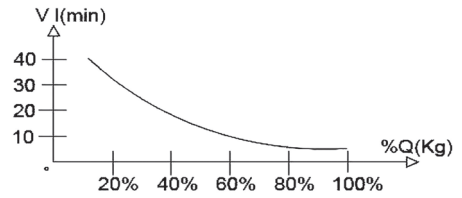
TES
4.0
control
Truck Electronic Stability 4.0

Active stability control for performance optimization according to the type of stabilization (4) to guarantee maximum safety in all working conditions. Mandatory in the CE market, it helps a better vehicle-crane configuration.



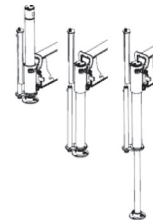
HPVe
easy use
High Power Velocity Electronic

A valve electronically manages the flow of oil to the distributor by increasing the load capacity of the crane and intervening on the lifting speed and allowing the reduction of dynamic effects while optimizing performance.



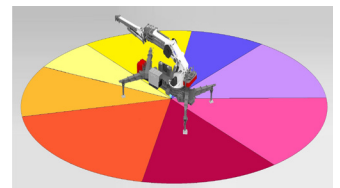
HLS
2.0
easy use
Hydraulic Lifting Stabilizers 2.0

The cylinder of the stabilizer is lifted with an auxiliary jack, allowing the vertical movement within the bushes or rotating around a pin. It saves operative time in increasing the security of the setup.



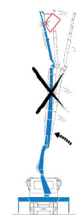
CMS
3.0
control
Crane Monitoring System 3.0

Crane stability control system TES2-TES3, with safety and overload system, controls medium high-range crane and HPVE lifting speed management. Active control on 4-8 working areas according to the model and vehicle stability requirements.



NCS
control
Negative Control System

Slope sensors mounted on the articulated booms of the crane, combined with the electronic control, control the maximum vertical angle of the arms and the JIB preventing incorrect or dangerous movements by the operator.





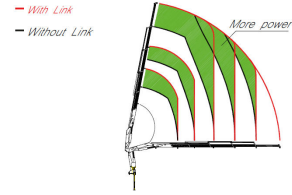
Radio Remote Control 3.0

Radio remote control with the electro-hydraulic actuator connected directly to the proportional control valve. The remote control allows operating the crane while continually monitoring the areas of operation.



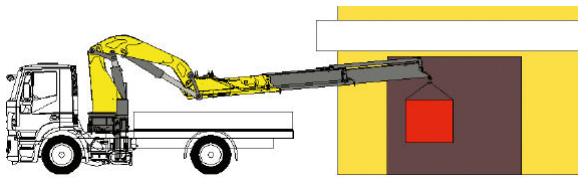
Constant Control Link System

The cranes equipped with connecting rods on the articulations, with a constant lifting moment over the entire working arc, allow to 100% optimize the crane's capacity in positions close to the maximum vertical.



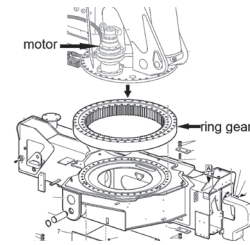
Negative Boom System

The linkage on the articulation of the secondary boom permits the introduction of loads within restricted spaces. It enables the recovery of the deflection of the extension boom group due to the weight and the load raised on the extensions.



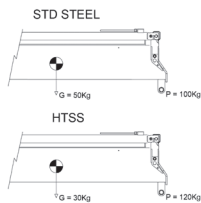
Rotation Endless System 2.0

A rotating bearing and double gearbox system, with a clearance adjusting system with an eccentric shaft. It provides the perfect transmission of the rotation with the bearing, allowing better crane optimization.



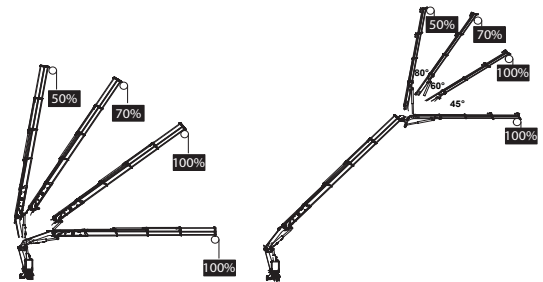
High Tensile Strength Steel

The entire high-strength steel structure thanks to an advanced FEM engineering process, develops an extraordinarily light and performing crane structure. In the perfect balance between maximum performance and operational safety.



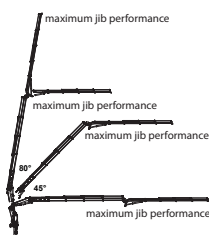
Winch Linear Control

The winch linear electronic control allows pulling the rope according to the working angle of the crane and the JIB. It optimizes load control and makes every movement easier and safer.



Power Jib Monitoring

The PJM system guarantees to operate with the maximum performance in every working condition thanks to a dynamic variation of the maximum pressure according to the crane arm angles.



COPMA® Remote Connectivity 4.0

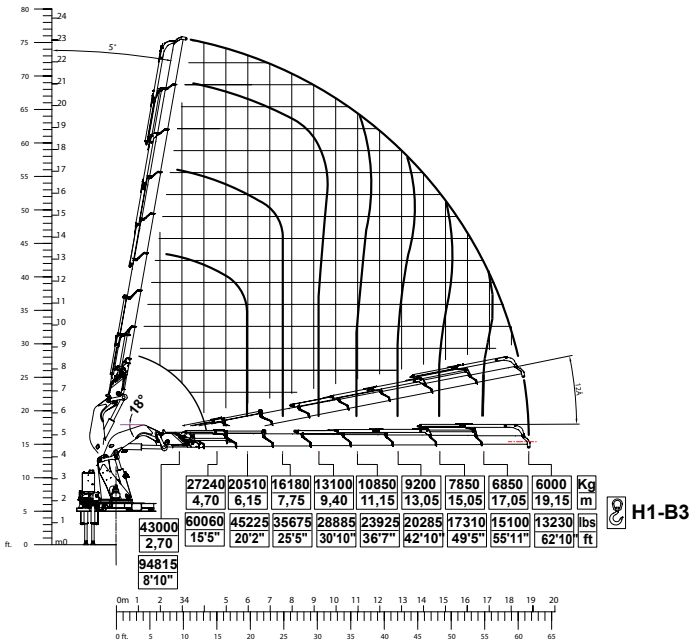
COPMA® 4.0 remote connectivity to the crane. Two-way communication via GPRS for real-time diagnosis and remote setting and / or adjustment of parameters in real time



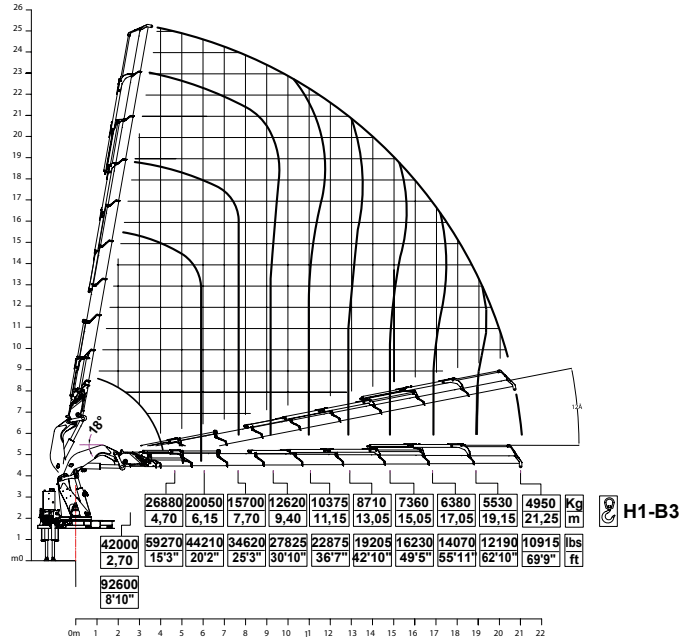
2000 TOP RANGE

Load Charts

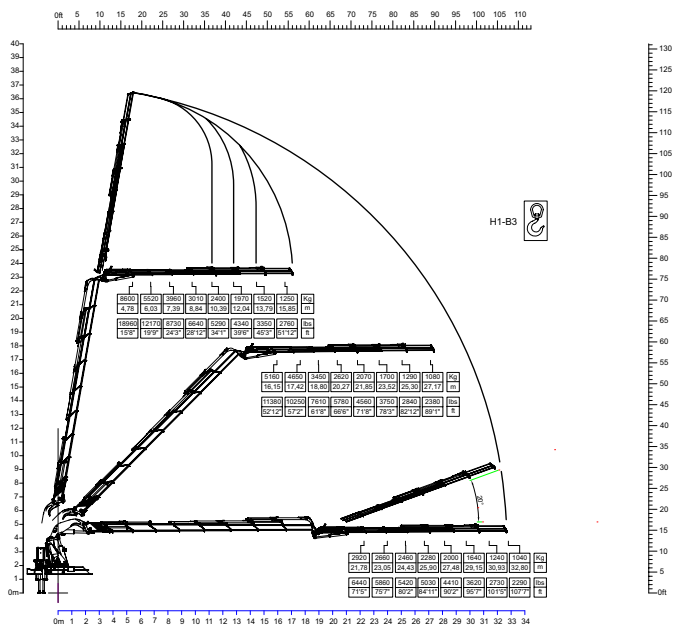
8 extensions



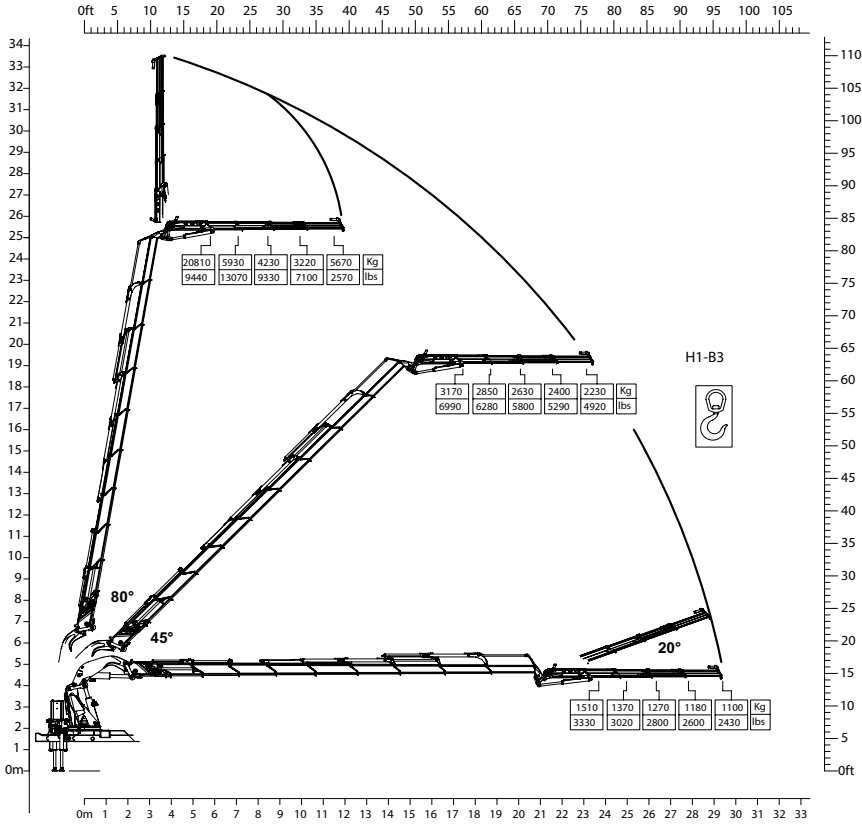
9 extensions



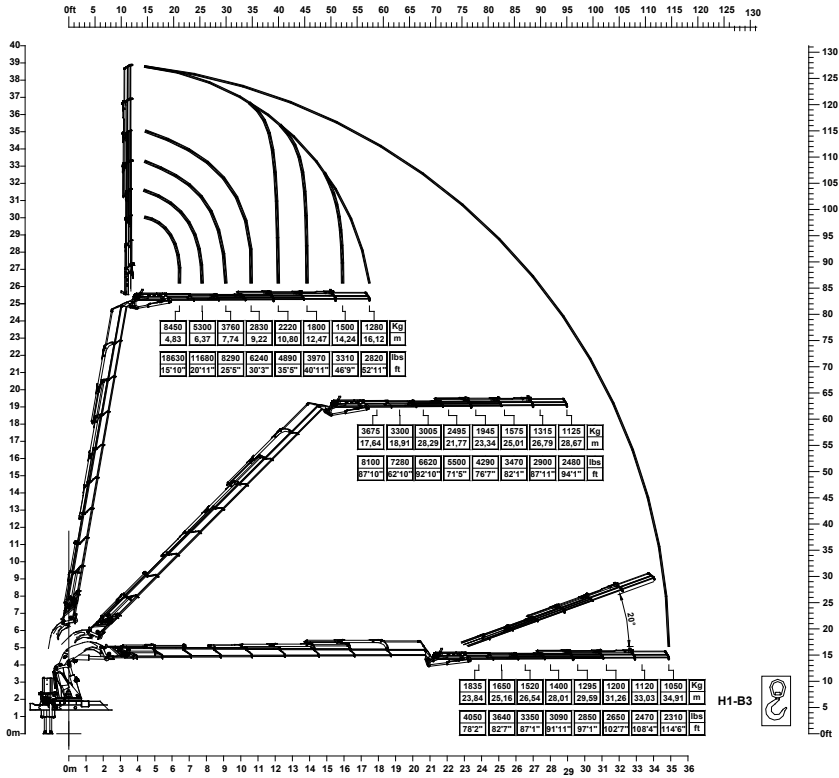
2000.8+J7



2000.9J4



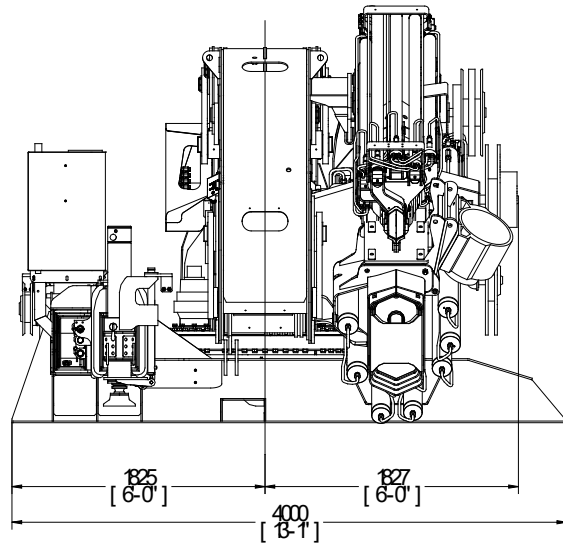
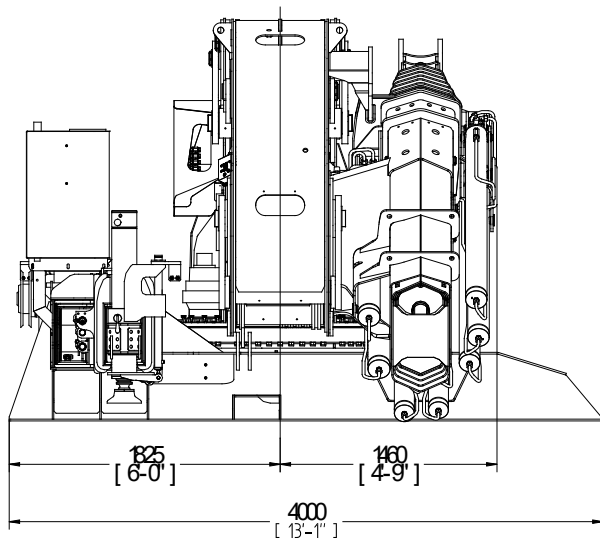
2000.9J7



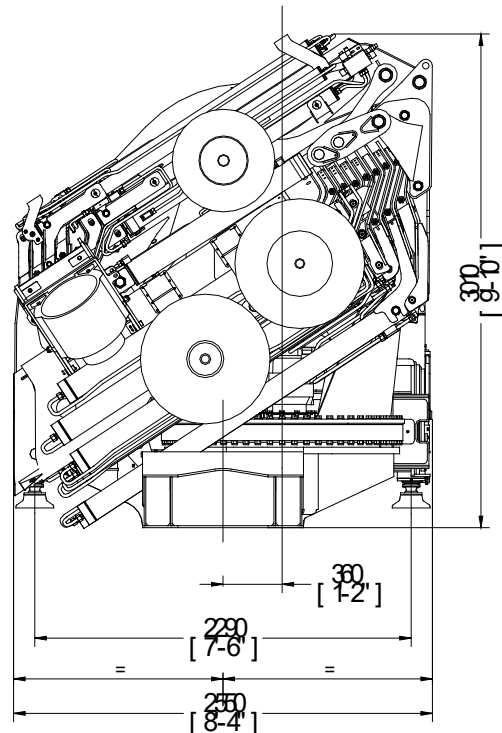
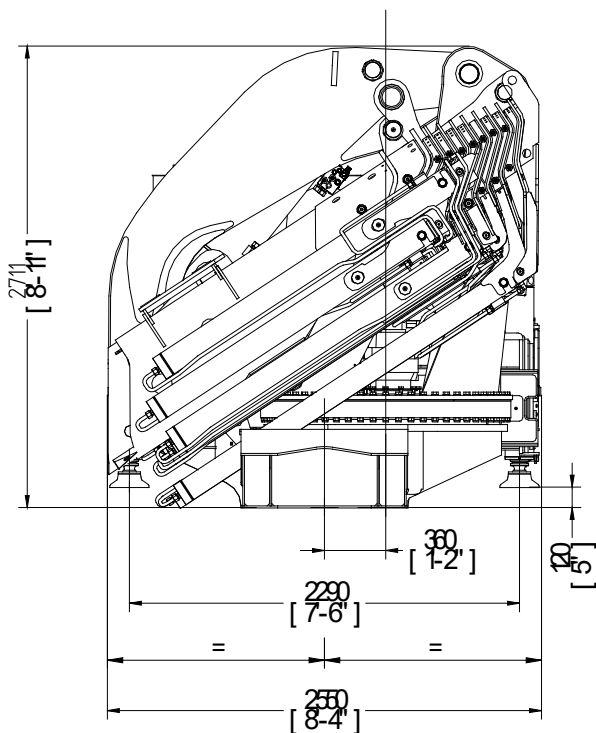
2000 TOP RANGE

Crane Dimensions

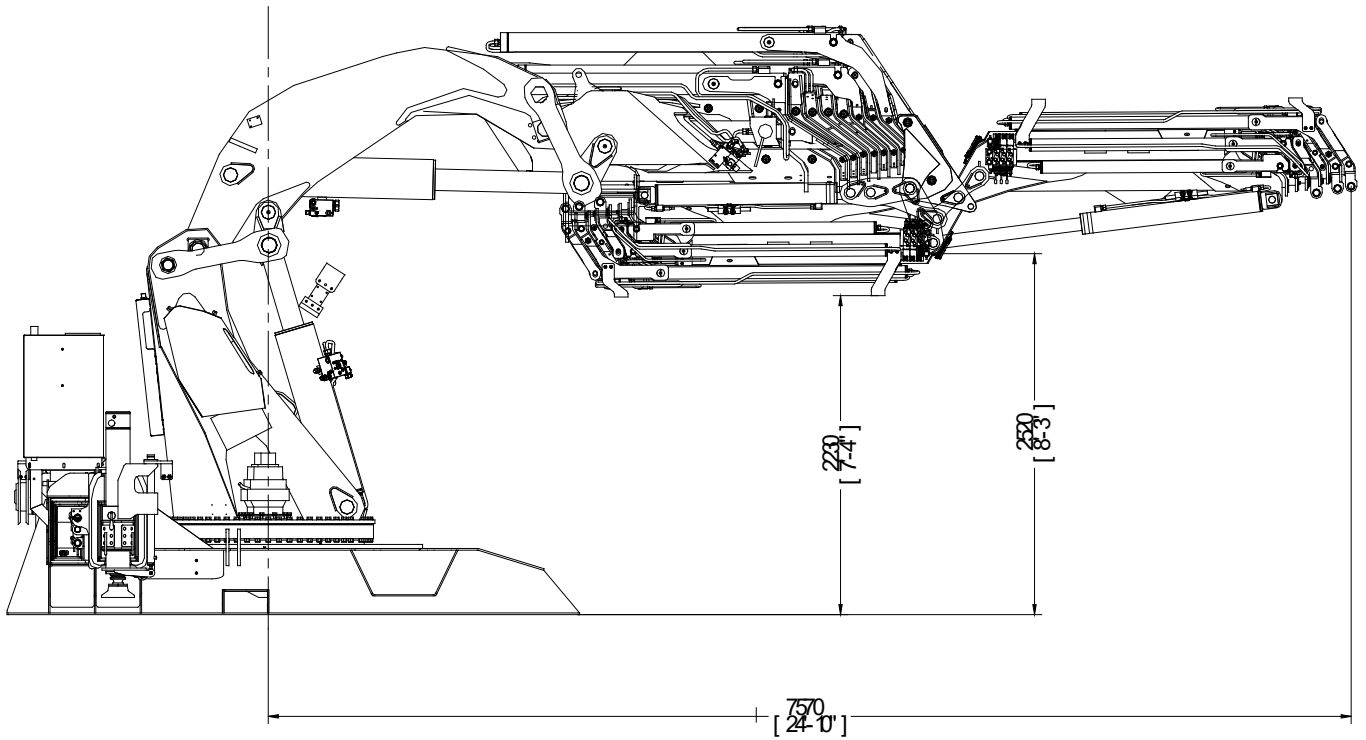
back cabin left



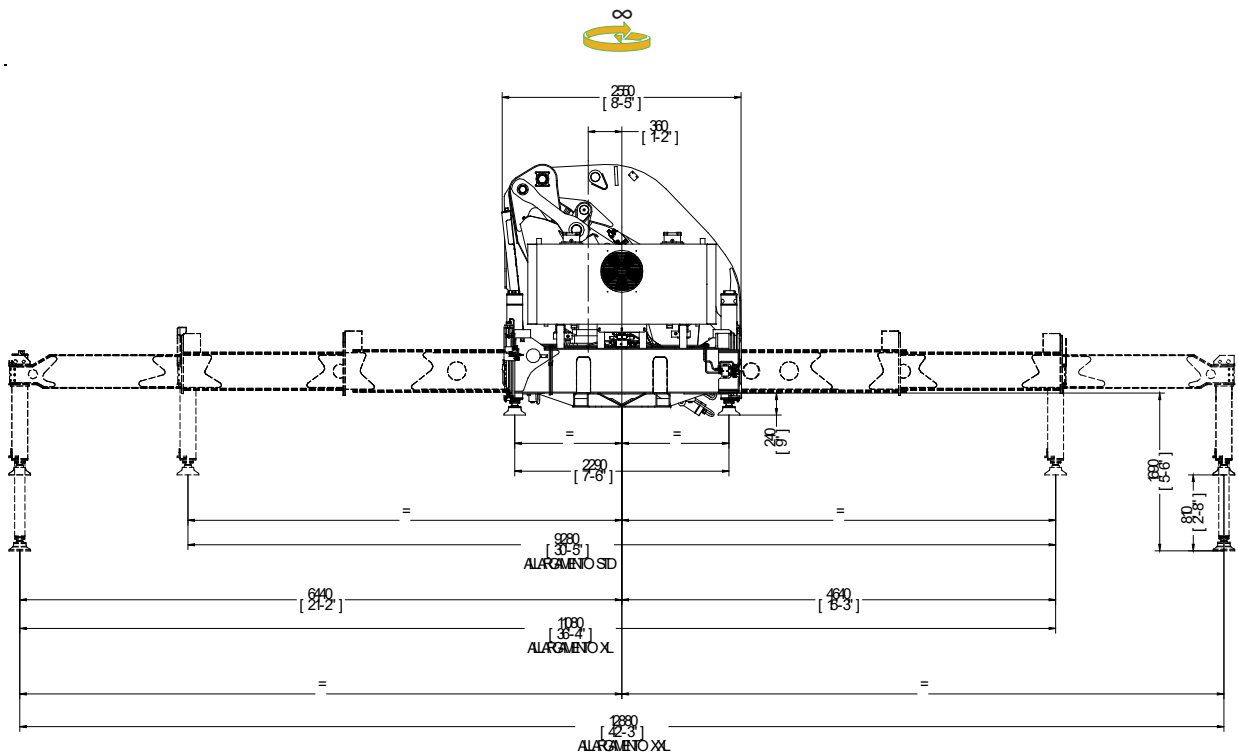
rear truck



operational



extended outriggers





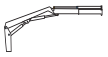






* Note: technical features are not binding, the company reserves itself the right to any modification without notice

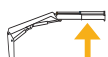










2000 TOP RANGE

Technical Data

summarized data

									
	kN.m	bar	l/min	kg	°	mm	mm	mm	mm
2000.4									
2000.6									
2000.8	1255	345	70+70	-	∞	2550	3285	2710	9270/10880/12880
2000.8J7	1255	345	70+70	-	∞	2550	3650	3010	9270/10880/12880
2000.9	1239	345	70+70	-	∞	2550	3285	2710	9270/10880/12880
2000.9J7	1239	345	70+70	-	∞	2550	4000	3010	9270/10880/12880

									
	lbs	psi	gal/min	lbs	°	ft/inc	ft/inc	ft/inc	ft/inc
2000.8	925640	5003	18,4+18,4	-	∞	8'4"	10'9"	8'11"	29'10"/35'9"/41'8"
2000.8J7	925640	5003	18,4+18,4	-	∞	8'4"	11'12"	9'10"	29'10"/35'9"/41'8"
2000.9	896458	5003	18,4+18,4	-	∞	8'4"	10'9"	8'11"	29'10"/35'9"/41'8"
2000.9J7	896458	5003	18,4+18,4	-	∞	8'4"	11'12"	9'10"	29'10"/35'9"/41'8"

technical data

Max. lifting moment	1239 kNm	896458 ft.lbs
Max. hydraulic outreach	21.25 m	69'9"
Slewing angle	∞	∞
Slewing torque	13000 daNm	23652 ft.lbs
Stabilizer spread	9.3 / 12.8 mt	42'3"
Fitting space required (min./max)	3,28 m/3,65 m	10'9"/11'12"
Width folded	2,55 m	8'4"
Max. operating pressure	345 bar	5003 psi
Recommended pump capacity	70+70 l/min	18,4+18,4 US gal./min

* Note: technical features are not binding, the company reserves itself the right to any modification without notice







COPMA 2000



knuckle
boom
cranes



Powerful Synergies



CPS



**CPS
STEEL**

CPS GROUP S.P.A.

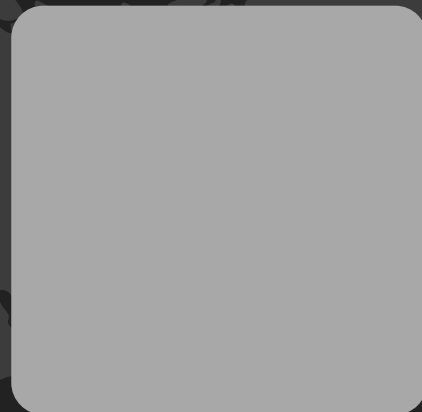
281 Via Emilia , Castel Bolognese (RA) , 48014
Italy

T +39 0546 653 711

sales.cpsgroup@cps-group.com

service.cpsgroup@cps-group.com

cps-group.com



UNICERT
ISO 9001:2008



COPMA MODEL 2000 TOP RANGE 3-2021 all rights reserved CPS GROUP