



Powerful Synergies



COPMA[®]
240

**HIGH POWER
MODEL**

COPMA 240

Performance & Power

240 HAS THE HIGHEST LIFTING RANGE AND TOP POWER-WEIGHT RATIO COMBINING ADVANCED TECHNOLOGY FEATURES FOR MORE PERFORMANCE.

- **HIGH POWER model, load category - 24 Ton/Mt**
- **Designed for every kind of job**
- **Strong linkage system on each arm to get maximum performance**
- **Precise and fast work execution**
- **High safety standards**





**THE MOST
POWERFUL
CRANE FOR
THE TOUGHEST
MARKETS**



COPMA 240

More Safety & Security

**DESIGNED WITH THE HIGHEST
HYDRAULIC SYSTEMS AND THE
TOUGHEST STRUCTURAL STEEL
TO PERFORM THE MAXIMUM
LIFTING CAPACITY.**

- **Performing and reliable electronic devices**
- **Column with high mechanical characteristics**
- **High Degree of User Friendliness**
- **Ready to work in a few movements**
- **Excellent weight/performance ratio**





DESIGNED FOR FLEXIBLE SERVICES



COPMA 240

Technical Features

**CUTTING EDGE FEATURES
FOR MAXIMUM LIFTING
POWER, STABILITY AND
OPERATIONAL SAFETY IN EVERY
WORKING CONDITION.**

Standard features

- easy use



- control



- structure



optional features

- easy use



- control



* CE version

⚡ Only for CE version





High Speed Extension

Système hydraulique complètement automatique, qui permet la gestion de la vitesse de soulèvement de la grue en fonction de la pression maximum d'exercice de travail, ceci afin d'améliorer la capacité de charge de la machine, réduisant les effets dynamiques structurels.



Transport Alert Device

Sensors on the basement controls the correct closing of the beams and a column switch sensor indicates if the crane is in a folded position, no more than 4 mt in height. The operator is warned with light and sound signals in the truck cabin.



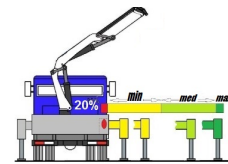
Crane Monitoring System 2.0

Crane stability control system TES2-TES3 with safety and overload controls and HPVE lifting speed management. Active control on 4-8 working areas according to the model and vehicle stability requirements.



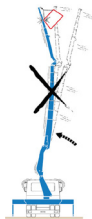
Truck Electronic Stability 3.0

Active stability control for performance optimization according to the type of stabilization (3) to guarantee maximum safety in all working conditions. Mandatory in the CE market, it helps a better vehicle-crane configuration.



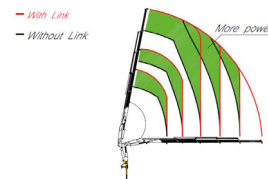
Negative Control System

Slope sensors mounted on the articulated booms of the crane, combined with the electronic control, control the maximum vertical angle of the arms and the JIB preventing incorrect or dangerous movements by the operator.



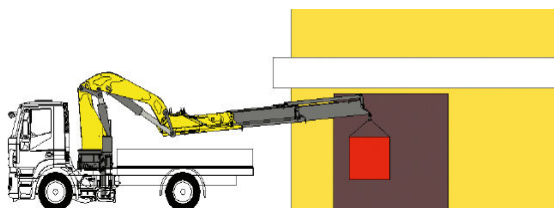
Constant Control Link

The cranes equipped with connecting rods on the articulations, with a constant lifting moment over the entire working arc, allow to 100% optimize the crane's capacity in positions close to the maximum vertical.



Negative Boom System

The linkage on the articulation of the secondary boom permits the introduction of loads within restricted spaces. It enables the recovery of the deflection of the extension boom group due to the weight and the load raised on the extensions.



Rotation Rack Pinion

The rotation system with rack and pinion is the best optimal solution for the most performative lifting capacity, it reduce the weights and crane dimension for the most compact configuration.





Hydraulic Lifting Stabilizers 2.0

The cylinder of the stabilizer is lifted with an auxiliary jack, allowing the vertical movement within the bushes or rotating around a pin. It saves operative time in increasing the security of the setup.



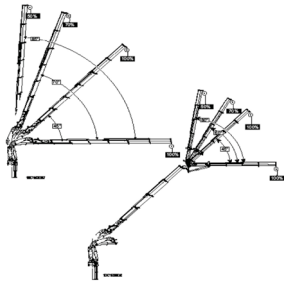
Electronic Radio Display

A display on the remote control allows the operator to maintain the total control of all the crane functions in real time by managing the work mode, the stability control, and oversee any maintenance and diagnostic messages.



Winch Linear Control

The winch linear electronic control allows pulling the rope according to the working angle of the crane and the JIB . It optimize the load control and makes every movement easier and safer.



COPMA® Remote Connectivity 4.0

COPMA® Remote Connectivity 4.0 to the crane. Two-way communication by GPRS for real-time diagnosis and remote real-time parameter setting and/or adjustment.



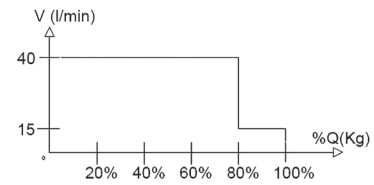
Radio Remote Control 3.0

Radio control with directly flanged actuation electronics with proportional distribution. The remote control allows operating the crane while constantly monitoring the areas of operation.



High Power Velocity Hydraulic

Fully automatic hydraulic system for adjusting the crane lifting speed according to the maximum working pressure. With this system, the load capacity of the machine is optimized by reducing the dynamic structural effects.



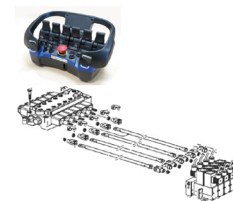
Crane Monitoring System 3.0

Crane stability control system TES2-TES3, with safety and overload controls medium high-range crane and HPVE lifting speed management. Active control on 4-8 working areas according to the model and vehicle stability requirements.



Radio Remote Control 1.V0

Radio remote control with actuation electronics connected by rod with the standard distribution. The remote control allows operating the crane while continually monitoring the areas of operation.

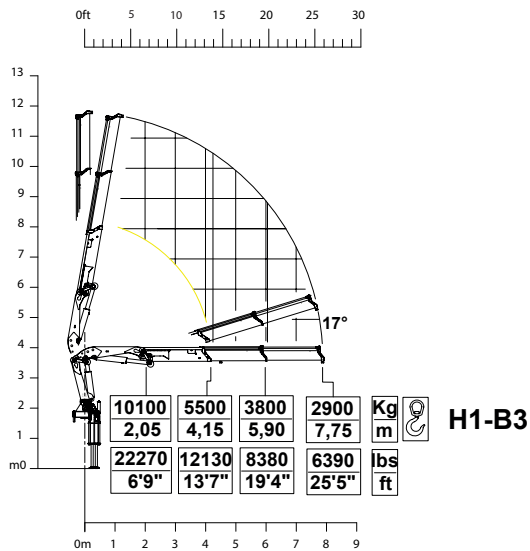


240 HIGH POWER

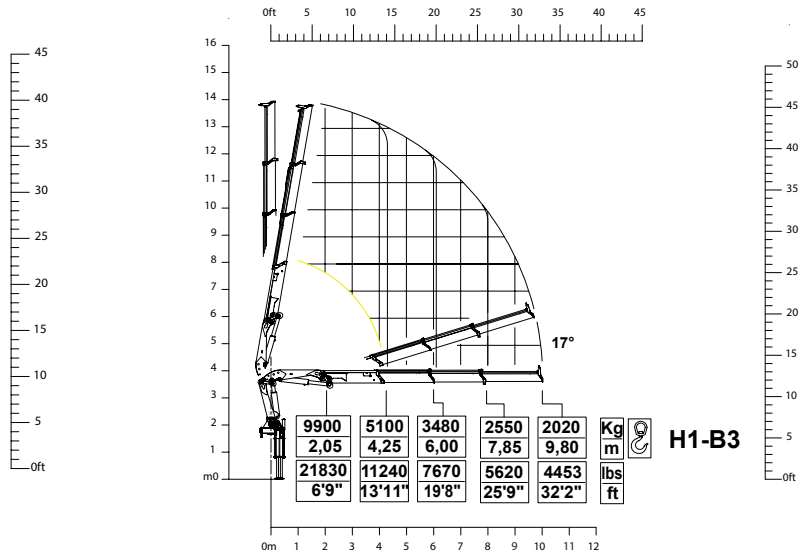
Load Charts

2

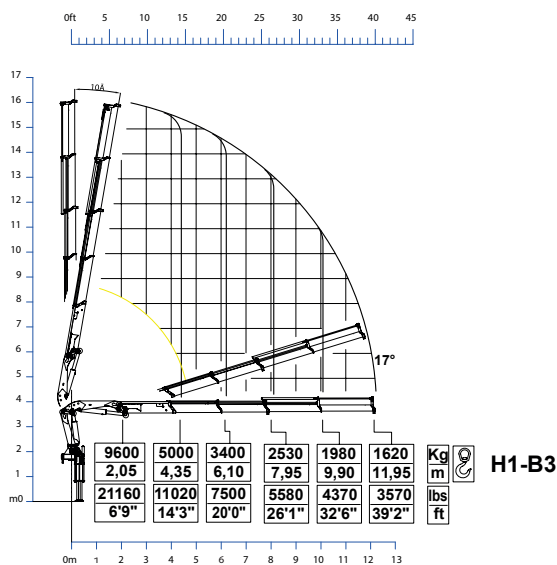
2 extensions



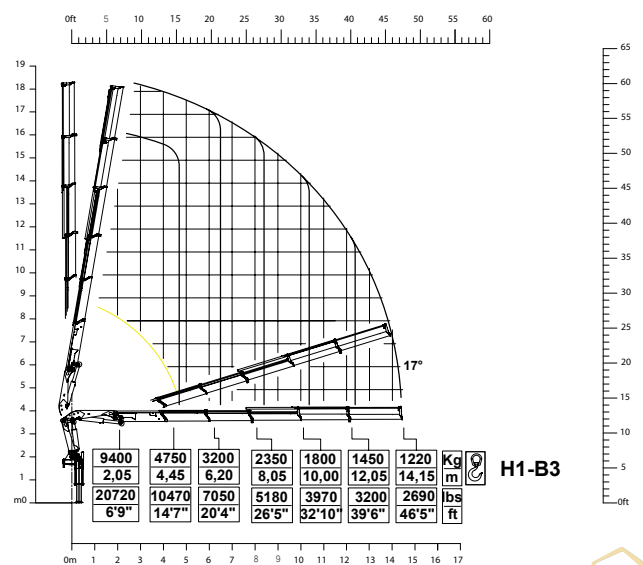
3 extensions



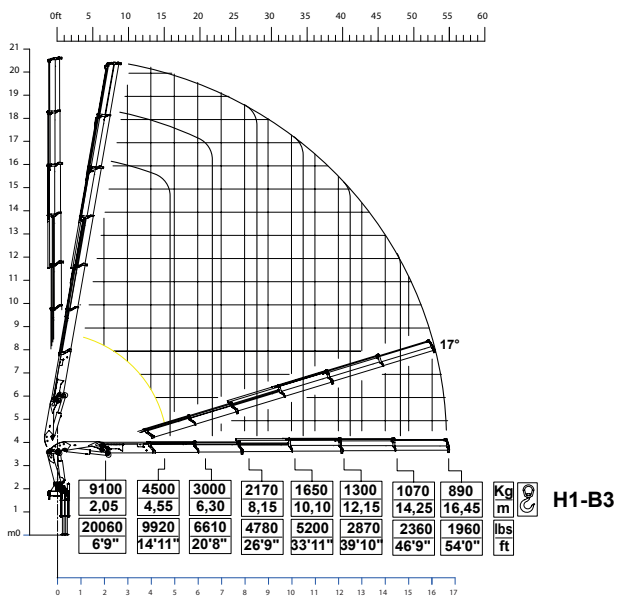
4 extensions



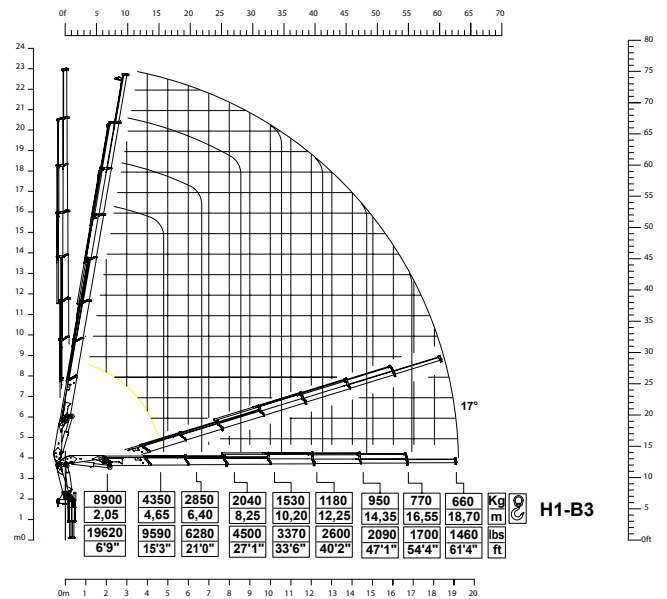
5 extensions



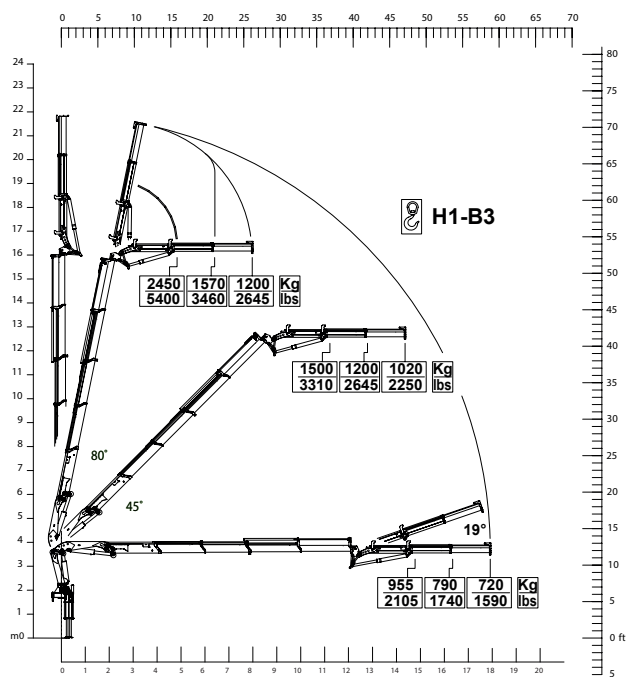
6 extensions



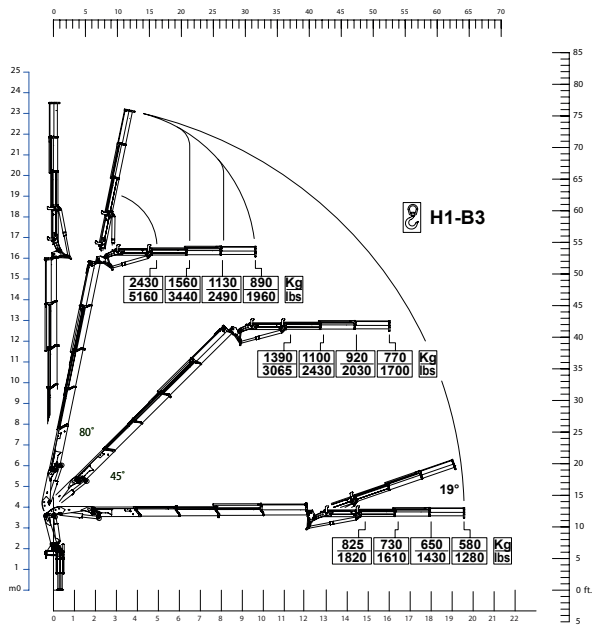
7 extensions



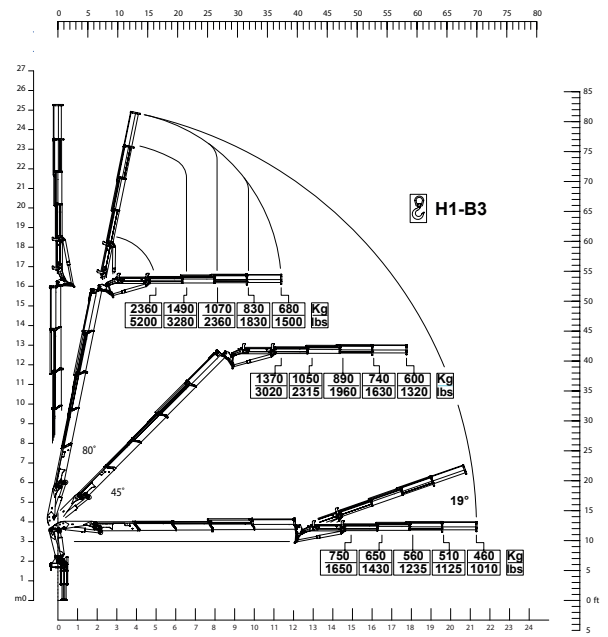
240.4 + J2



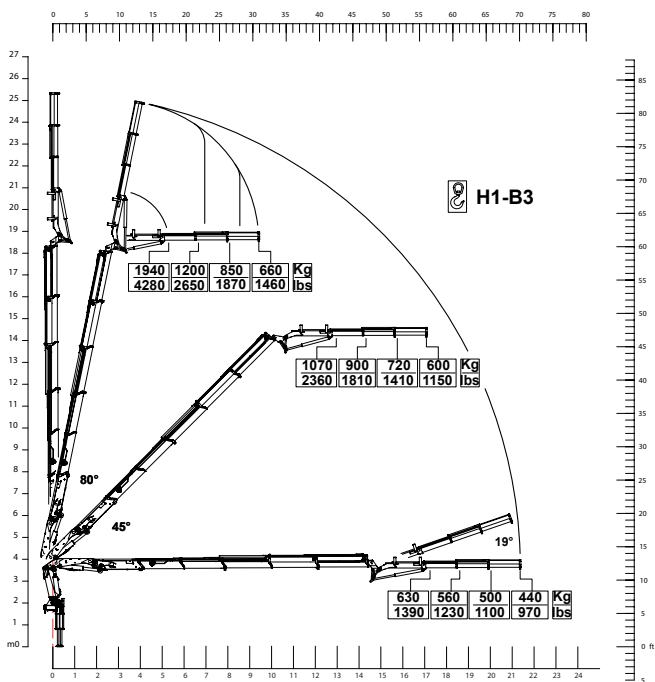
240.4 + J3



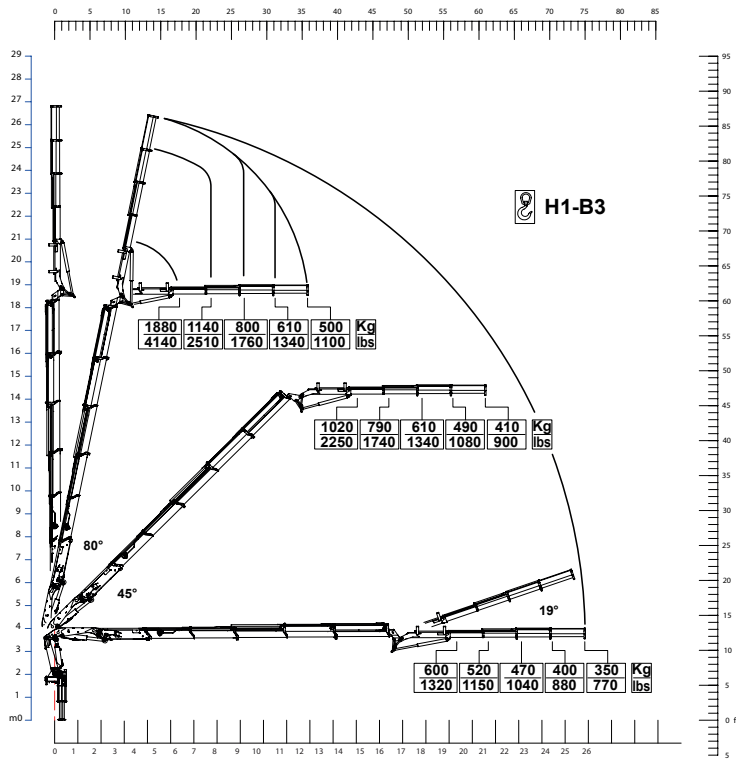
240.4 + J4



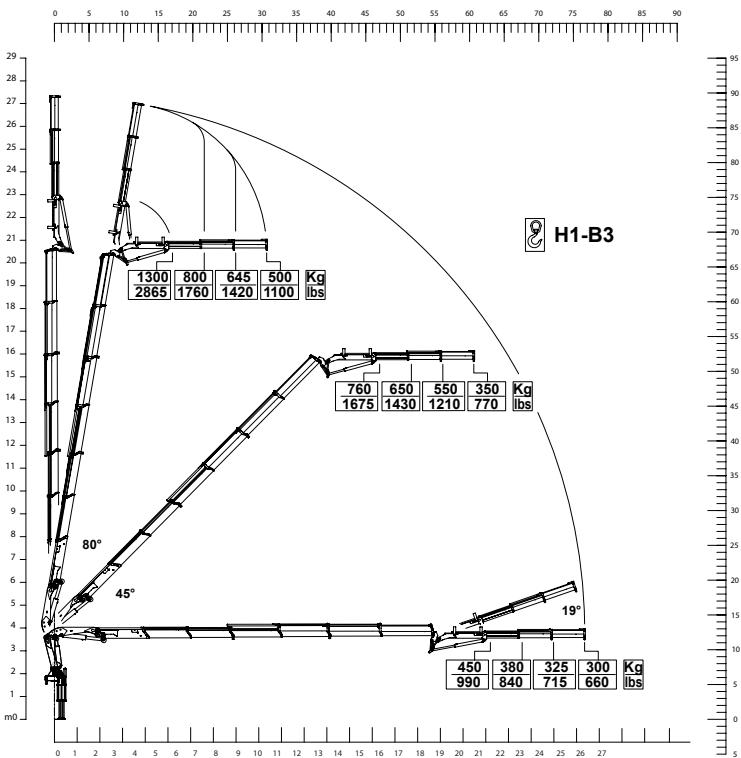
240.5 + J3



240.5 + J4

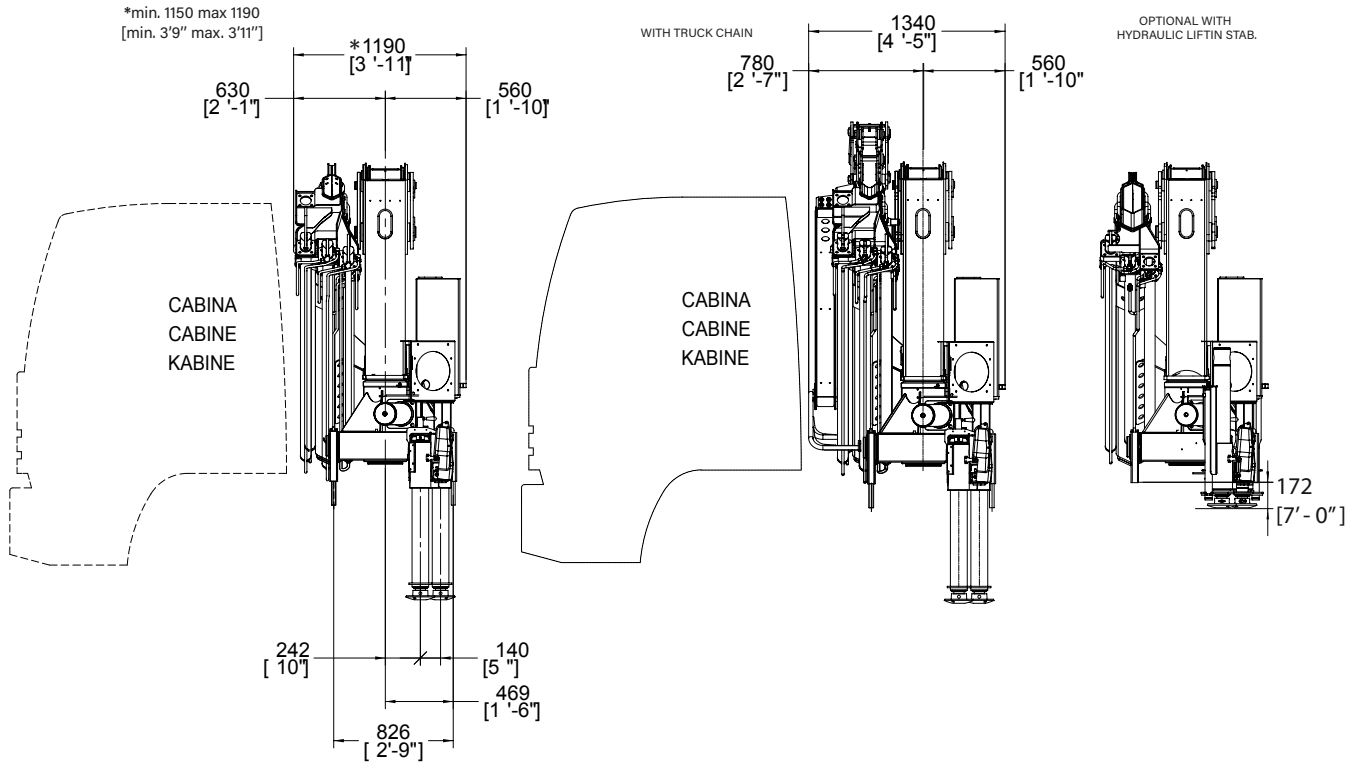


240.6 + J3

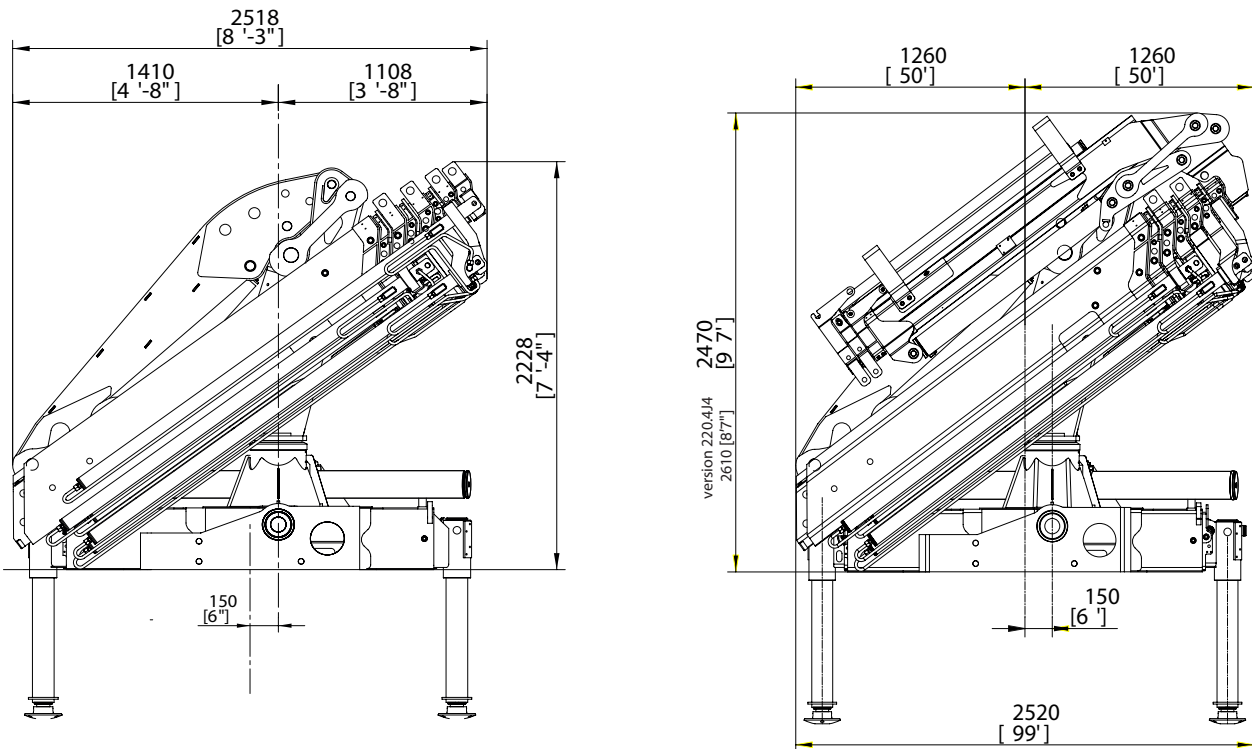


240 HIGH POWER

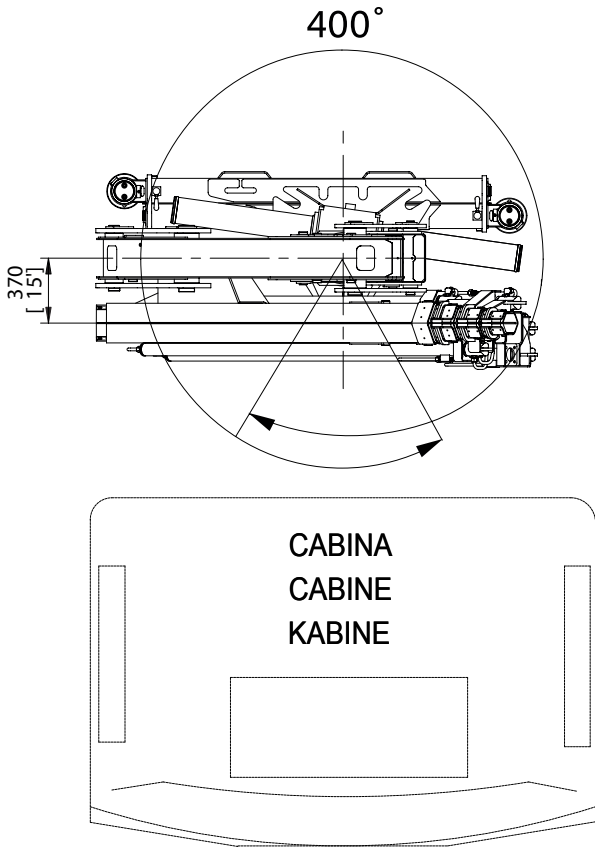
back cabin left



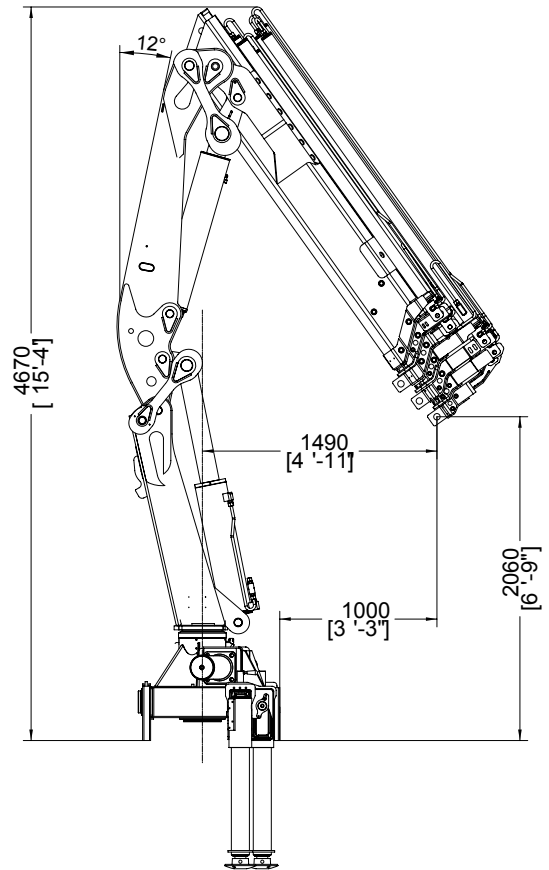
rear truck



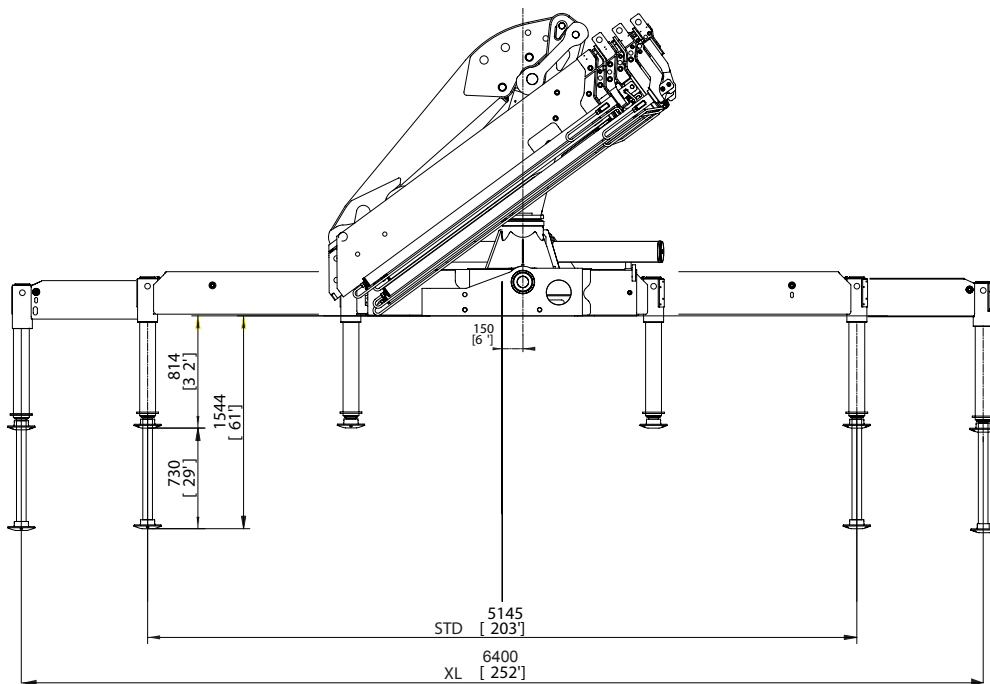
top cabin



operational



extended outriggers












* Note:
Technical features are not binding.
The company reserves itself the right to any modification without notice












240 HIGH POWER

Technical Data

summarized data

									
	kN.m	bar	l/min	kg	°	mm	mm	mm	mm
240.2	224	280	40	2885	400	1150	1083	2194	5200/6400
240.3	219	280	40	3035	400	1150	1083	2194	5200/6400
240.4	213	280	40	3185	400	1190	1190	2194	5200/6400
240.4J2	213	280	40	3545	400	1330	1267	2610	5200/6400
240.4J3	213	280	40	3625	400	1330	1267	2610	5200/6400
240.4J4	213	280	40	3780	400	1330	1267	2610	5200/6400
240.5	207	280	40	3325	400	1190	1190	2194	5200/6400
240.5J3	207	280	40	3761	400	1330	1267	2470	5200/6400
240.5J4	207	280	40	3805	400	1330	1267	2470	5200/6400
240.6	207	280	40	3445	400	1190	1190	2194	5200/6400
240.6J3	201	280	40	3880	400	1340	1340	2470	5200/6400
240.7	198	280	40	3545	400	1190	1190	2194	5145/6398

									
	lbs.ft	psi	gal/min	lbs	°	ft/inc	ft/inc	ft/inc	ft/inc
240.2	161956	4060	10,5	6360	400	8'1"	3'9"	8'6"	16'11" /21'10"
240.3	158320	4060	10,5	6690	400	8'1"	3'9"	8'6"	16'11" /21'10"
240.4	154329	4060	10,5	7020	400	8'1"	3'11"	8'6"	16'11" /21'10"
240.4J2	154329	4060	10,5	7820	400	8'2"	4'4"	10'3"	16'11" /21'10"
240.4J3	154329	4060	10,5	7990	400	8'2"	4'4"	10'3"	16'11" /21'10"
240.4J4	154329	4060	10,5	8330	400	8'2"	4'4"	10'3"	16'11" /21'10"
240.5	149983	4060	10,5	7330	400	8'3"	3'11"	8'6"	16'11" /21'10"
240.5J2	149983	4060	10,5	8300	400	8'3"	4'4"	9'7"	16'11" / 21'0"
240.5J3	149983	4060	10,5	8390	400	8'3"	4'4"	9'7"	16'11" / 21'0"
240.6	145282	4060	10,5	7590	400	8'3"	3'11"	8'6"	16'11" /21'10"
240.6J3	145282	4060	10,5	8560	400	8'3"	4'5"	9'7"	16'11" / 21'0"
240.7	143526	4060	10,5	7820	400	8'4"	3'11"	8'6"	16'11" /21'10"

technical data

Max. lifting moment	224 kNm	161956 ft.lbs
Max. hydraulic outreach	18.70 m	61'4"
Slewing angle	400°	400°
Slewing torque	3270 daNm	23652 ft.lbs
Stabilizer spread	5.14/6.4 mt	116'11" / 20'12"
Fitting space required (min./max)	1,08 m/1.27 m	3'1"/5'0"
Width folded	2,52 m	8'3"
Max. operating pressure	280 bar	4060 psi
Recommended pump capacity	40 l/min	10,5 US gal./min
Dead weight (vers .2)	2870 kg	6330 lbs

* Note: technical features are not binding, the company reserves itself the right to any modification without notice



COPMA 240



knuckle
boom
cranes



Powerful Synergies



CPS



**CPS
STEEL**

CPS GROUP S.P.A.

281 Via Emilia, Castel Bolognese (RA), 48014
Italy

T +39 0546 653 711

sales.cpsgroup@cps-group.com

service.cpsgroup@cps-group.com

cps-group.com



COPMA MODEL 240 HIGH POWER 3-2021 all rights reserved CPS GROUP

UNICERT
ISO 9001:2008

