



Powerful Synergies



COPMA

35

**ESSENTIAL
MODEL**

COPMA 35

Performance & Power

**35 IS INNOVATIVE ENGINEERING
FOR TOP PRECISION, EFFICIENCY,
SPEED AND PERFORMANCE.
AN ESSENTIAL MASTERPIECE
OF LIFTING TECHNOLOGY.**

- **ESSENTIAL model, load category - 3.5 Ton/Mt**
- **Essential in design, powerful in performance**
- **Robust arm system**
- **Simple and reliable**
- **Excellent operational safety**





**THE MOST
POWERFUL
CRANE FOR
THE TOUGHEST
MARKETS**



COPMA 35

More Safety & Security

**DESIGNED WITH THE HIGHEST
HYDRAULIC SYSTEMS AND THE
TOUGHEST STRUCTURAL STEEL
TO PERFORM THE MAXIMUM
LIFTING CAPACITY.**

- **Optimized and reliable hydraulic technology**
- **Column with high mechanical characteristics**
- **High Degree of User Friendliness**
- **Efficiency and Reliability thanks to essential design**
- **Excellent weight/performance ratio**





DESIGNED
FOR FLEXIBLE
SERVICES

COPMA 35

Technical Features

**CUTTING EDGE FEATURES
FOR MAXIMUM LIFTING
POWER, STABILITY AND
OPERATIONAL SAFETY IN EVERY
WORKING CONDITION.**

Standard features

- easy use



- control



- structure



optional features

- control

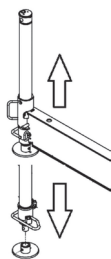


*E.C. market specific equipment



MLS 1.0
easy use
Manual Lifting Stabilizers 1.0

Manual lifting of the crane legs. The manual lifting of the legs helps the operator adjust its extension manually without additional assistance from electronics or hydraulic controls.



TAD control
Transport Alert Device

Sensors on the basement control the correct closing of the beams and a column switch sensor indicates if the crane is in a folded position, no more than 4 Mt in height. The operator is warned with light and sound signals in the truck cabin.



RRP structure
Rotation Rack Pinion

The rotation system with rack and pinion is the best optimal solution for the most performative lifting capacity, it reduce the weights and crane dimension for the most compact configuration.



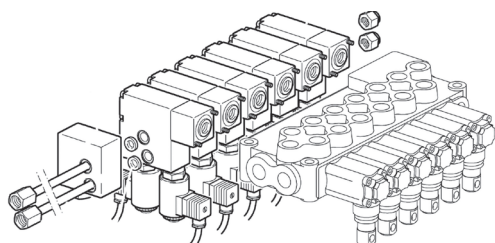
RRC 3.0 control
Radio Remote Control 3.0

Radio control with directly flanged actuation electronics with proportional distribution. The remote control allows operating the crane while constantly monitoring the areas of operation.



RRC 2.0 control
Radio Remote Control 2.0

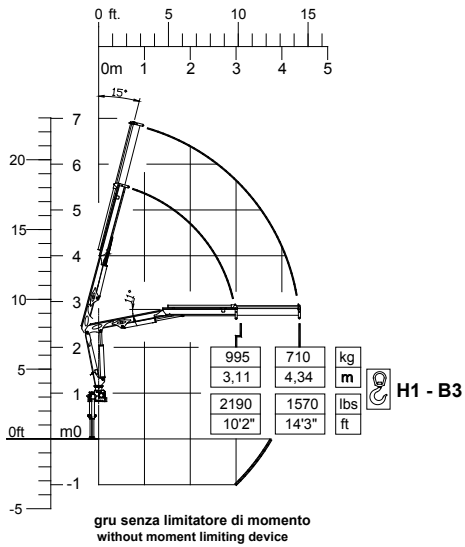
Radio remote control with the electro-hydraulic actuator connected directly to the standard control valve. The remote control allows operating the crane while continually monitoring the areas of operation.



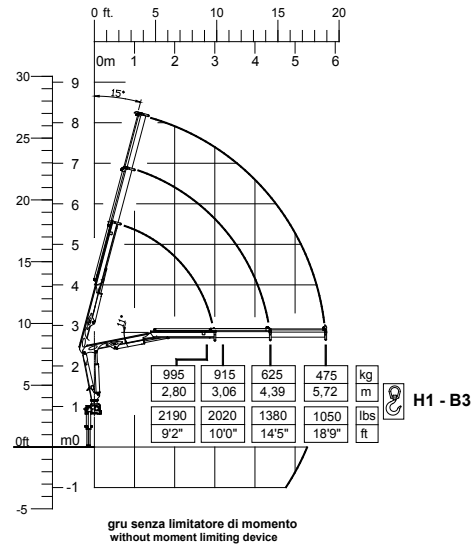
35 ESSENTIAL

Load Charts

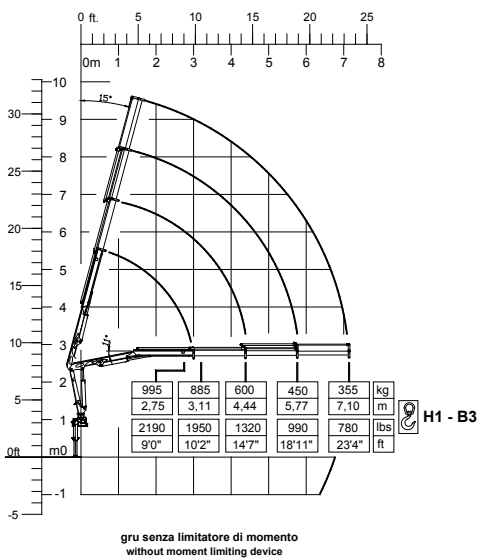
1 extensions



2 extensions



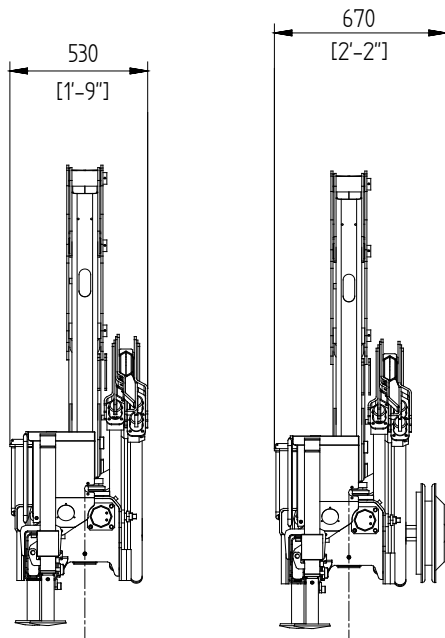
3 extensions



35 ESSENTIAL

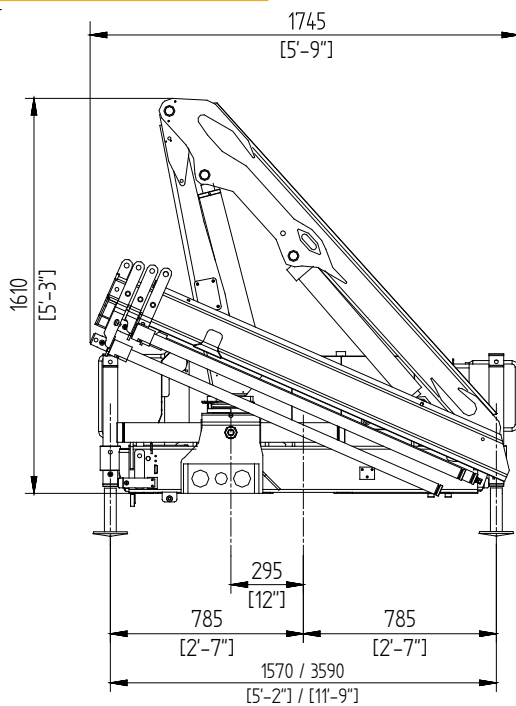
Crane Dimensions

back cabin left



with WIRE REEL










rear truck












35 ESSENTIAL

Technical Data

summarized data

									
	kN.m	bar	l/min	kg	°	mm	mm	mm	mm
35.1	30,36	235	10	420	370	1745	530	1610	3590
35.2	27,47	235	10	455	370	1745	530	1610	3590
35.3	27	235	10	490	370	1745	530	1610	3590

									
	lbs.ft	psi	gal/min	lbs	°	ft/inc	ft/inc	ft/inc	ft/inc
35.1	21959	3408	2,6	930	370	5'9"	1'9"	5'3"	11'9"
35.2	19869	3408	2,6	1000	370	5'9"	1'9"	5'3"	11'9"
35.3	19529	3480	2,6	1080	370	5'9"	1'9"	5'3"	11'9"

technical data

Max. lifting moment	30.36 kNm	21959 ft.lbs
Max. hydraulic outreach	7.10 m	23'4"
Slewing angle	370°	370°
Slewing torque	422 daNm	3052 ft.lbs
Stabilizer spread	3.6 mt	11'9"
Fitting space required (min./max)	0.53 m	1'9"
Width folded	1.75 m	5'9"
Max. operating pressure	235 bar	3408 psi
Recommended pump capacity	10 l/min	2.6 US gal./min
Dead weight (vers .1)	420 kg	930 lbs

* Note:
 Technical features are not binding.
 The company reserves itself the right to any modification without notice





**GET READY TO A
BETTER LIFTING
EXPERIENCE**



COPMA 35



knuckle
boom
cranes



Powerful Synergies



CPS



**CPS
STEEL**

CPS GROUP S.P.A.

281 Via Emilia , Castel Bolognese (RA) , 48018
Italy

T +39 0546 653 711

sales.cpsgroup@cps-group.com

service.cpsgroup@cps-group.com

cps-group.com



COPMA MODEL 35 ESSENTIAL 6-2019 all rights reserved CPS GROUP

