



Powerful Synergies



COPMA

360

TOP RANGE
MODEL



COPMA 360

Performance & Power

**360 HAS COMPACT DIMENSIONS
AND OPTIMIZED WEIGHTS WITH A
CUSTOMIZED DESIGN FOR MORE
POWER AND RELIABILITY AT
EVERY OPERATOR NEED.**

- **TOP RANGE - HEAVY RANGE model, load category - 36 Ton/Mt**
- **High tensile strength steel**
- **Efficient safety system**
- **Reliability, speed and precision**
- **Extra long working life cycle**
- **Easier maintenance operations**





**THE MOST
POWERFUL
CRANE FOR
THE TOUGHEST
MARKETS**



COPMA 360

More Safety & Security

**DESIGNED WITH THE HIGHEST
HYDRAULIC SYSTEMS AND THE
TOUGHEST STRUCTURAL STEEL
TO PERFORM THE MAXIMUM
LIFTING CAPACITY.**

- **Superior Hydraulic Technology**
- **Dynamic Electronic Controls**
- **High Degree of User Friendliness**
- **Efficiency and Reliability thanks to superior structural features**
- **More Efficiency with advanced electronic controls**





DESIGNED FOR FLEXIBLE SERVICES



COPMA 360

Technical Features

**CUTTING EDGE FEATURES
FOR MAXIMUM LIFTING
POWER, STABILITY AND
OPERATIONAL SAFETY IN EVERY
WORKING CONDITION.**

Standard features

- easy use



- control



- structure



optional features

- easy use



- control



*E.C. market specific equipment





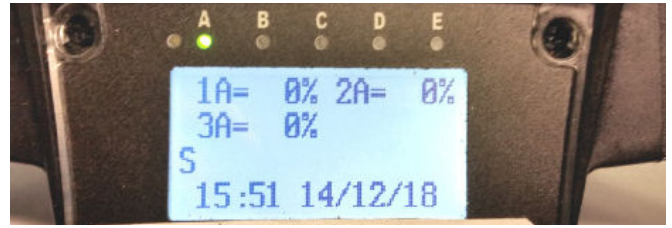
High Speed Extension

Hydraulic system for reducing load losses and bottlenecks for the correct output sequence of the extensions by increasing the speed of 30%-60% thanks to the regenerative valve. Greater continuous performance thanks to lower fluid temperature.



Electronic Radio Display

A display on the remote control allows the operator to maintain the total control of all the crane functions in real time by managing the work mode, the stability control, and oversee any maintenance and diagnostic messages.



Transport Alert Device

Sensors on the basement guarantee the correct closing of the beams and a column switch sensor indicates if the crane is in a folded position, no more than 4 Mt in height. The operator is warned with light and sound signals in the truck cabin.



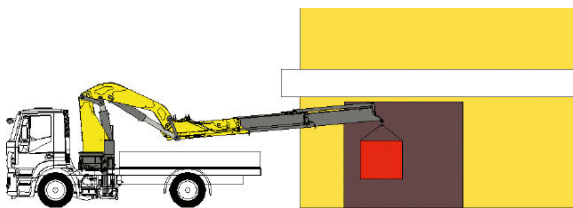
Hydraulic Lifting Stabilizers 2.0

The stabilizer cylinder is lifted thanks to an auxiliary jack, allowing the vertical movement inside a bush or a rotation around a pin. This easy use system saves time and allows an efficient stabilizer set up.



Negative Boom System

The linkage on the articulation of the secondary boom permits the introduction of loads within restricted spaces. It enables the recovery of the deflection of the extension boom group due to the weight and the load raised on the extensions.



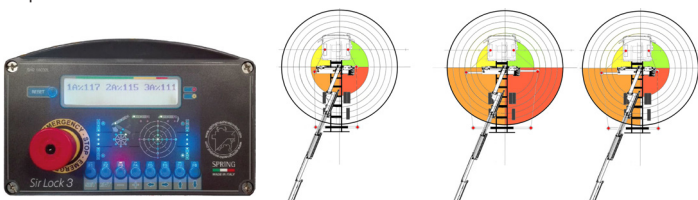
Radio Remote Control 3.0

Radio control with directly flanged actuation electronics with proportional distribution. The remote control allows operating the crane while constantly monitoring the areas of operation.



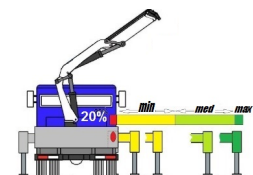
Crane Monitoring System 2.0

Crane stability control system TES2-TES3 with safety and overload controls and HPVE lifting speed management. Active control on 4-8 working areas according to the model and vehicle stability requirements.



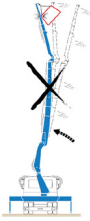
Truck Electronic Stability 3.0

Active stability control for performance optimization according to the type of stabilization to guarantee maximum safety in all working conditions. Mandatory in the CE market, it helps a better vehicle-crane configuration.



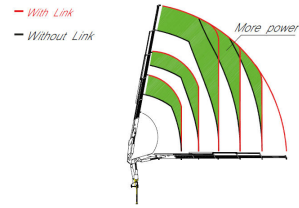
NCS
control
Negative Control System

Slope sensors mounted on the articulated booms of the crane, combined with the electronic control, manage the maximum vertical angle of the arms and the JIB preventing incorrect or dangerous movements by the operator.



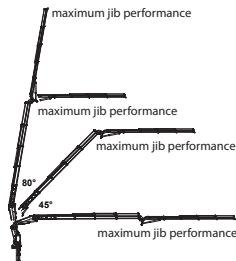
CCLS
structure
Constant Control Link

The cranes equipped with connecting rods on the articulations, with a constant lifting moment over the entire working arc, allow to 100% optimize the crane's capacity in positions close to the maximum vertical.



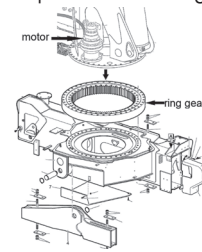
PJM
control
Power Jib Monitoring

The PJM system guarantees to operate with the maximum performance in every working condition thanks to a dynamic variation of the maximum pressure according to the crane arm angles.



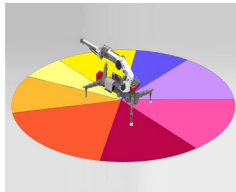
RES 1.0
structure
Rotation Endless System 1.0

A rotating bearing and one gearbox system, the electric wires are linked between base-column with a swivel electrical-hydraulic joint. Allows operator to gain maximum power also at the slowest operational speed and having the highest precision.



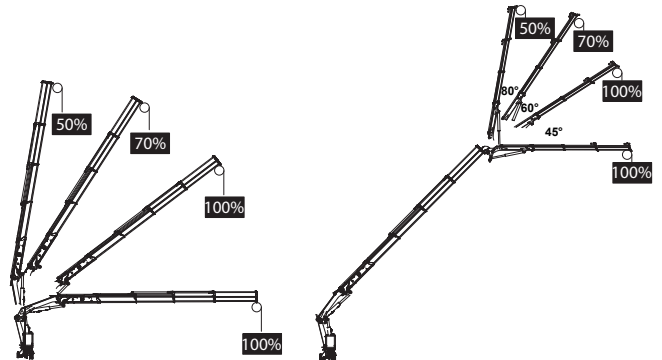
CMS 3.0
control
Crane Monitoring System 3.0

Crane stability control system TES2-TES3, with safety and overload controls medium high-range crane and HPVE lifting speed management. Active control on 4-8 working areas according to the model and vehicle stability requirements.



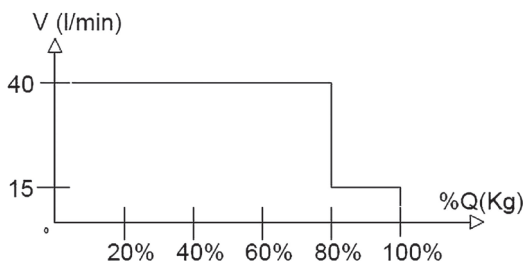
WLC
control
Winch Linear Control

The winch linear electronic control allows pulling the rope according to the working angle of the crane and the JIB. It optimizes the load control and makes every movement easier and safer.



HPV H
easy use
High Power Velocity Hydraulic

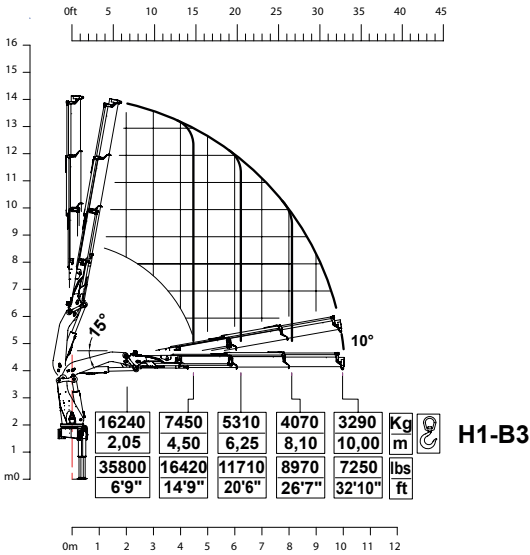
Fully automatic hydraulic system for adjusting the crane lifting speed according to the maximum working pressure. With this system, the load capacity of the machine is optimized by reducing the dynamic structural effects.



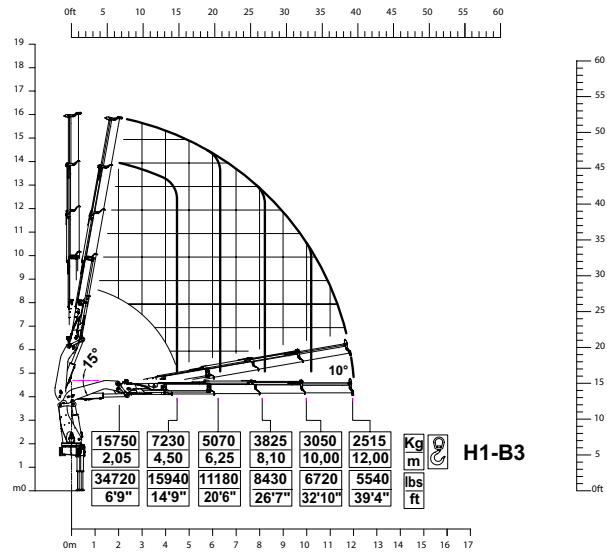
360 TOP RANGE

Load Charts

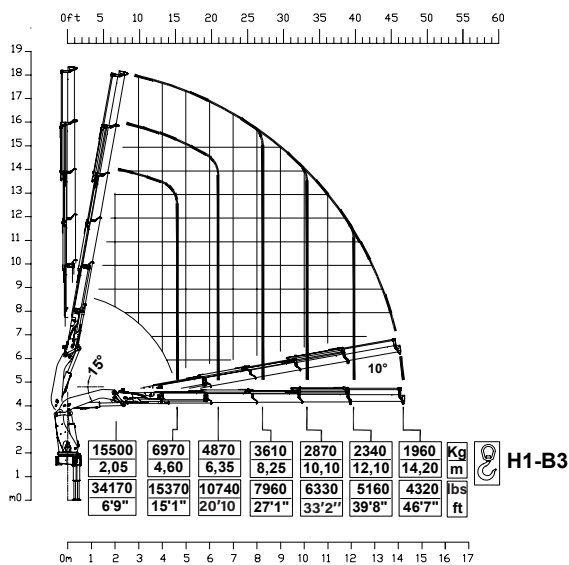
3 extensions



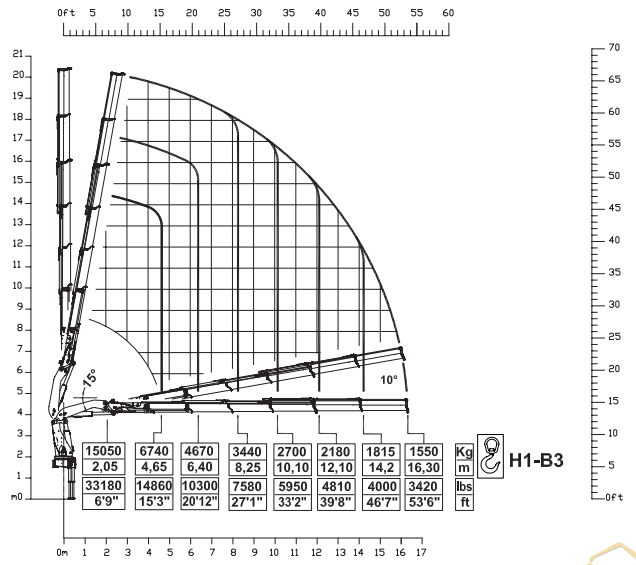
4 extensions



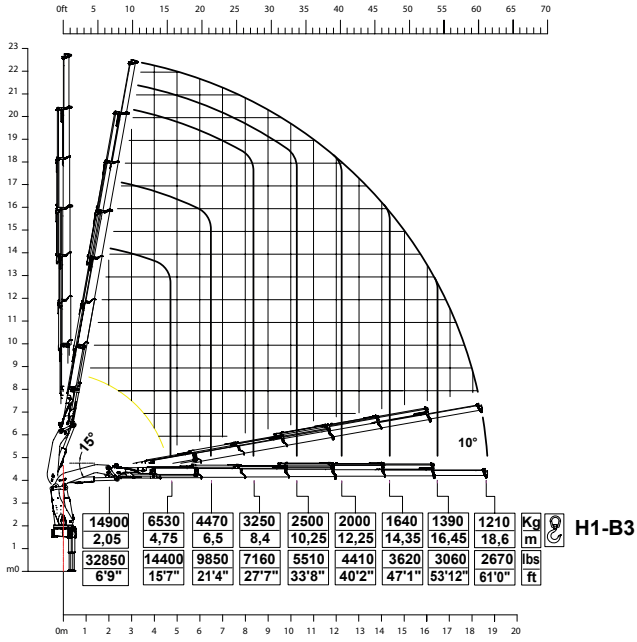
5 extensions



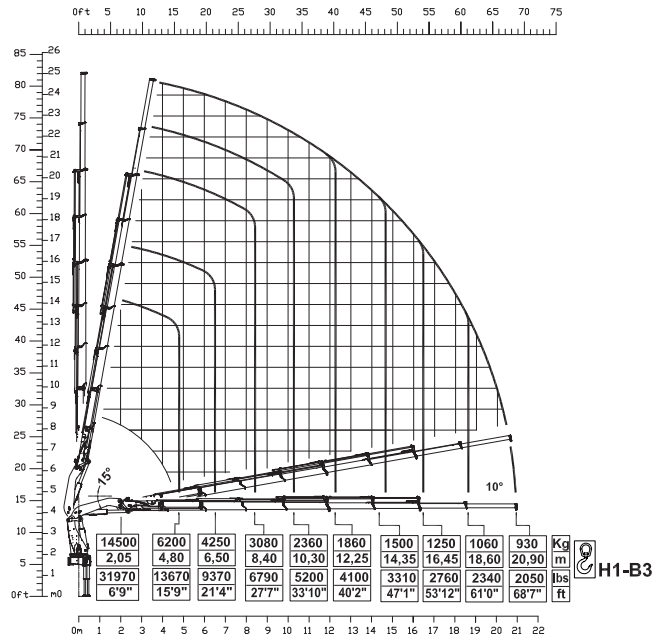
6 extensions



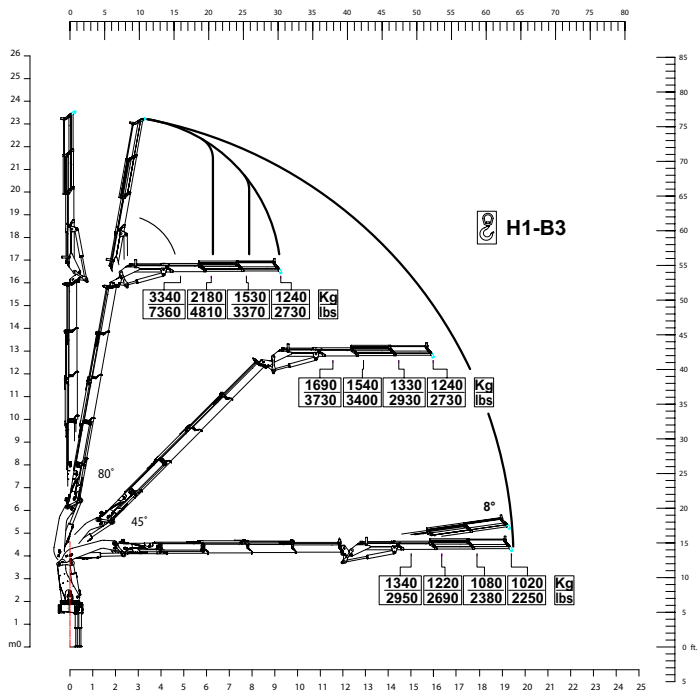
7 extensions



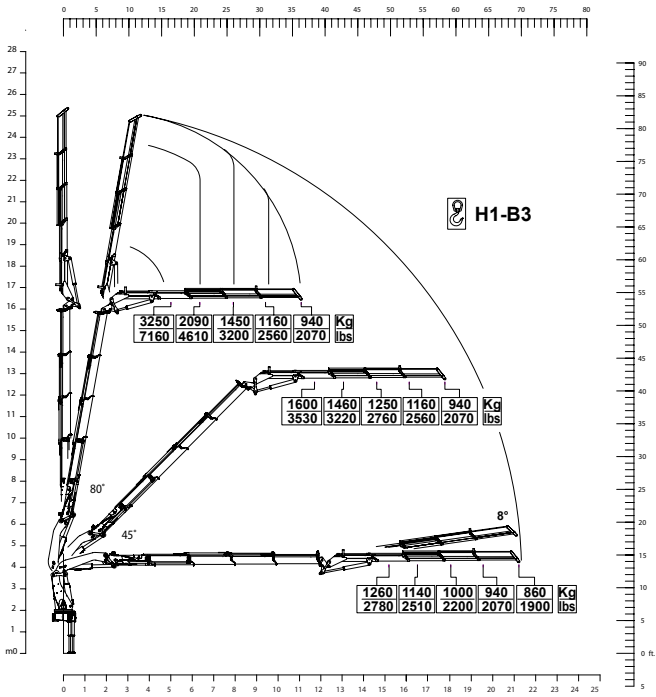
8 extensions



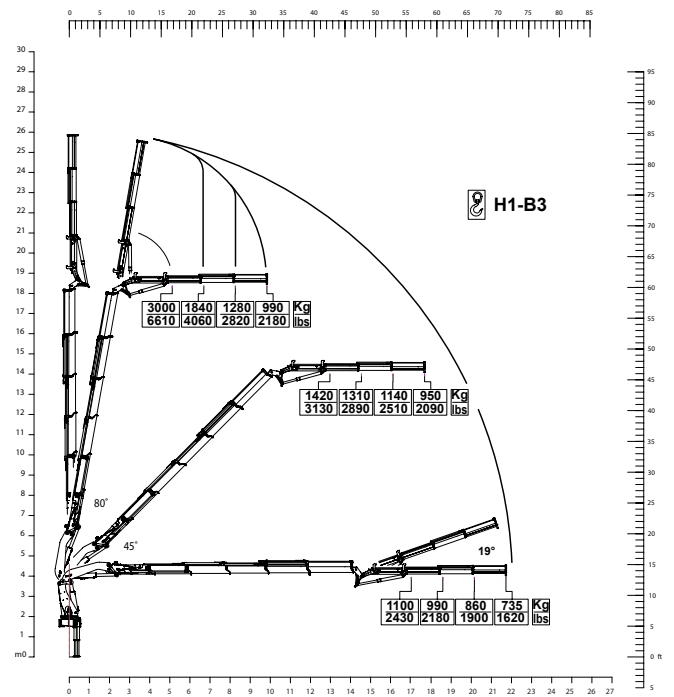
360.4 + J3



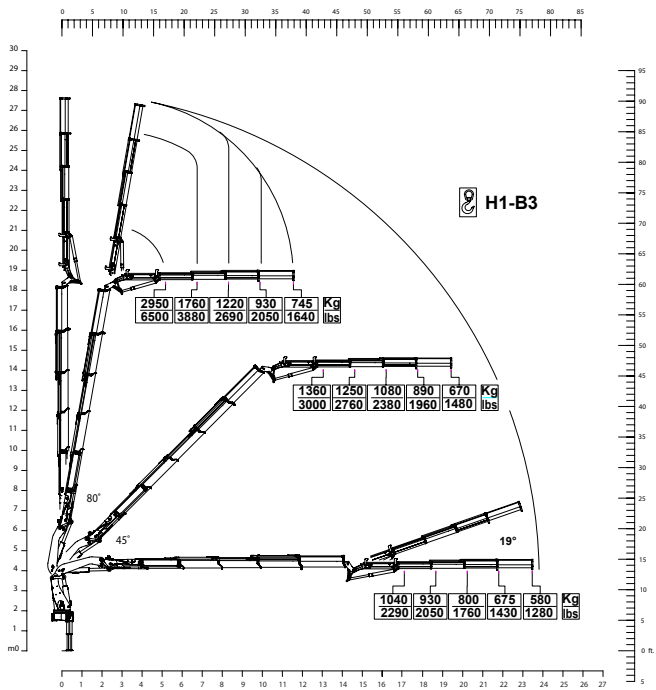
360.4 + J4



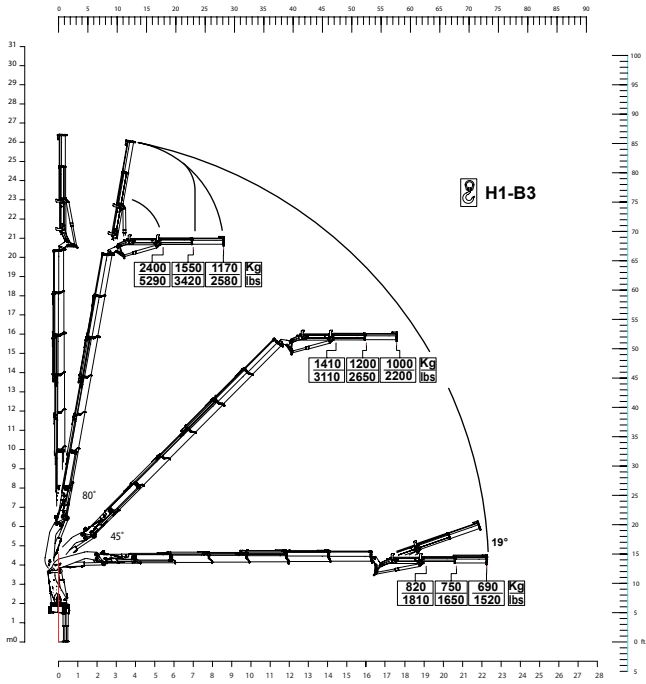
360.5 + J3



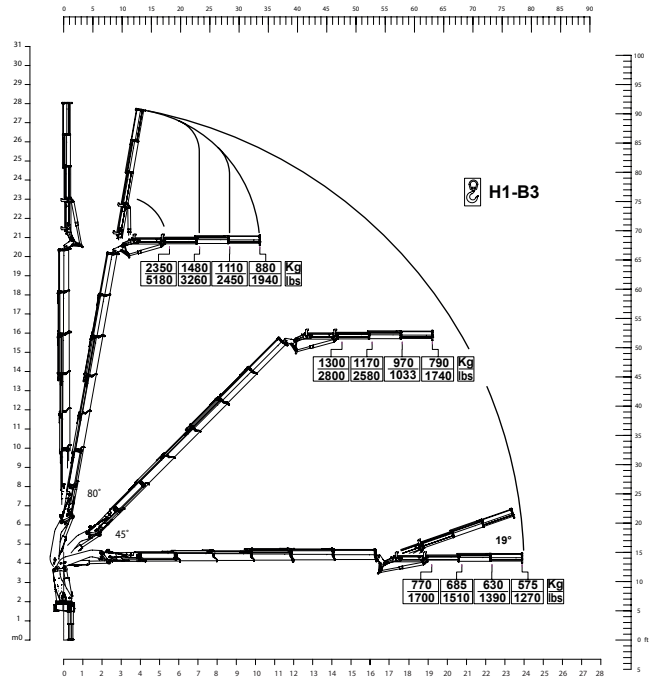
340.5 + J4



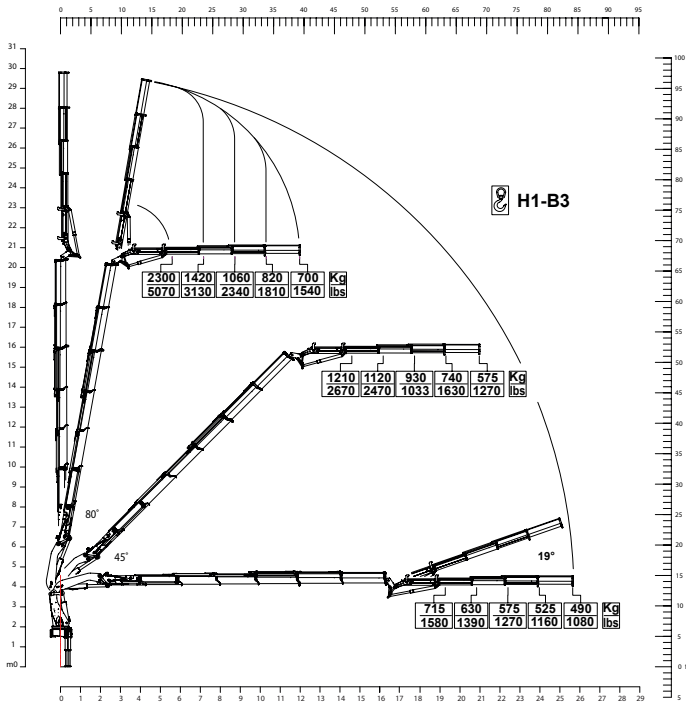
340.6 + J2



340.6 + J3



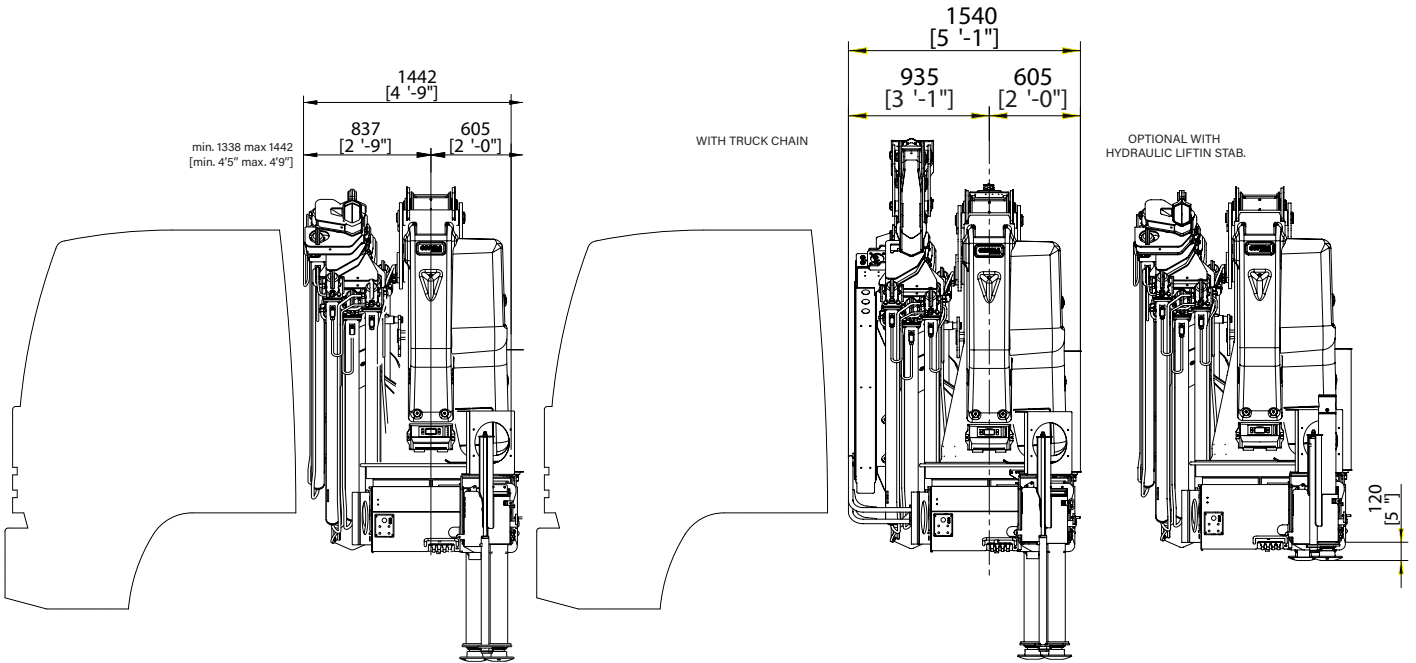
340.6 + J4



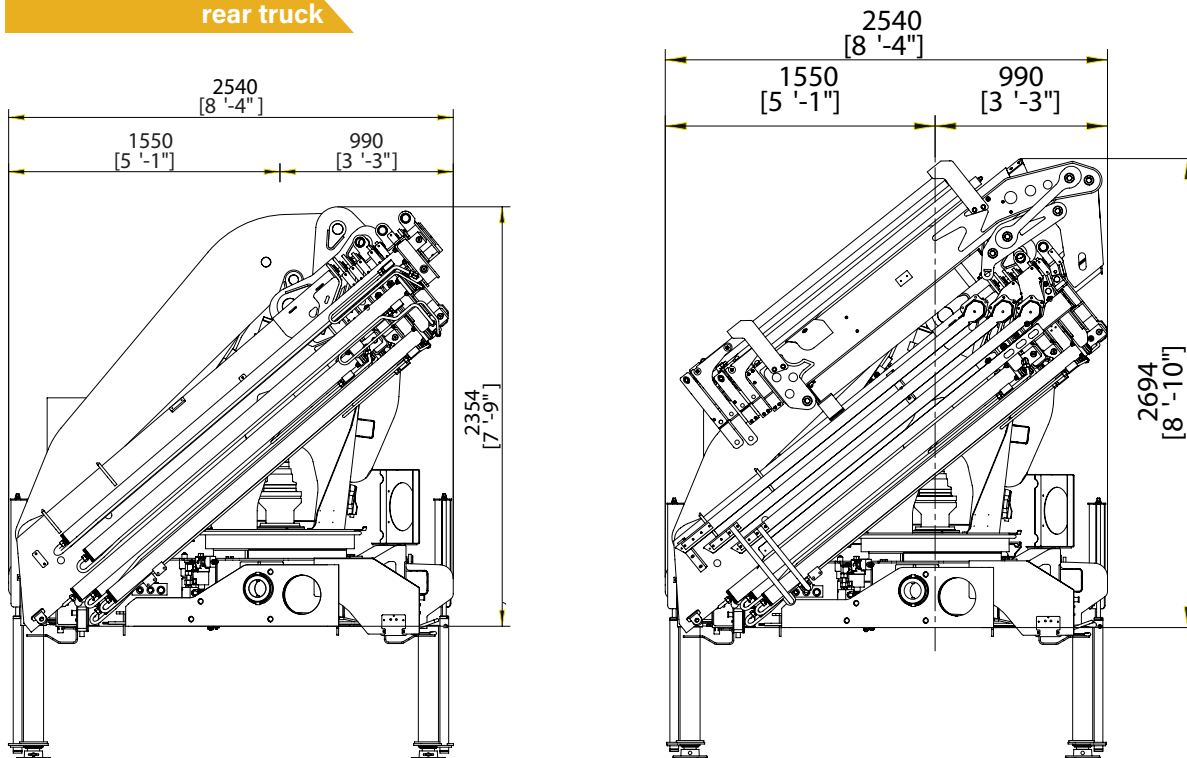
360 TOP RANGE

Crane Dimensions

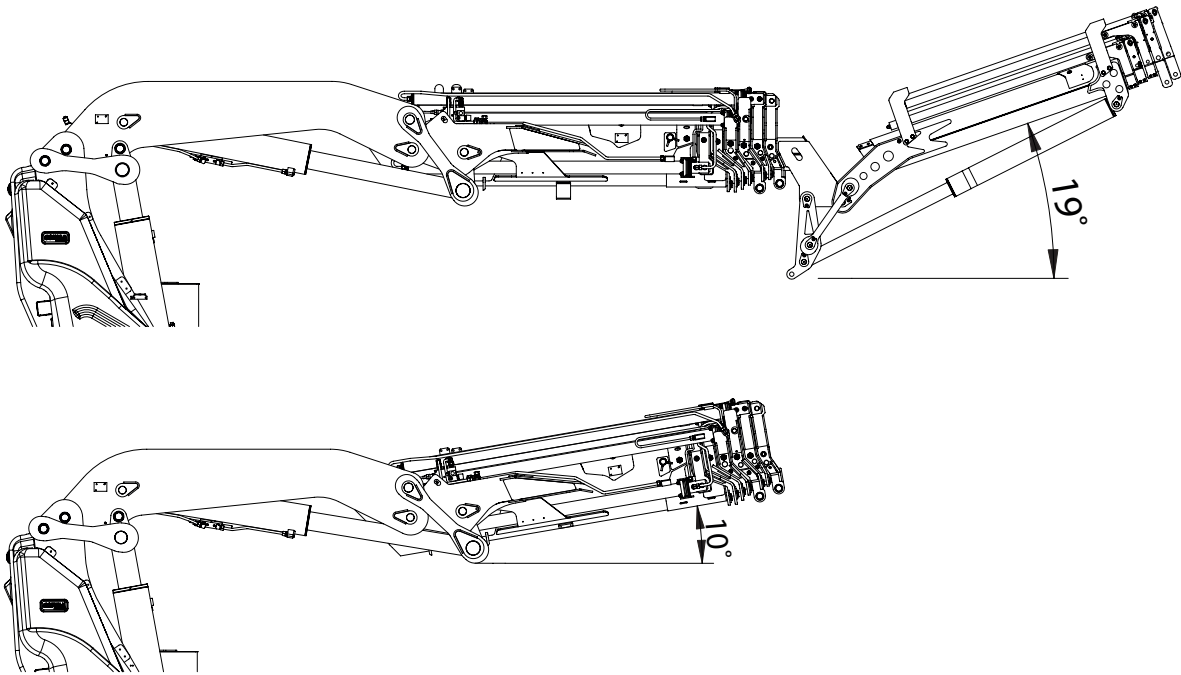
back cabin left



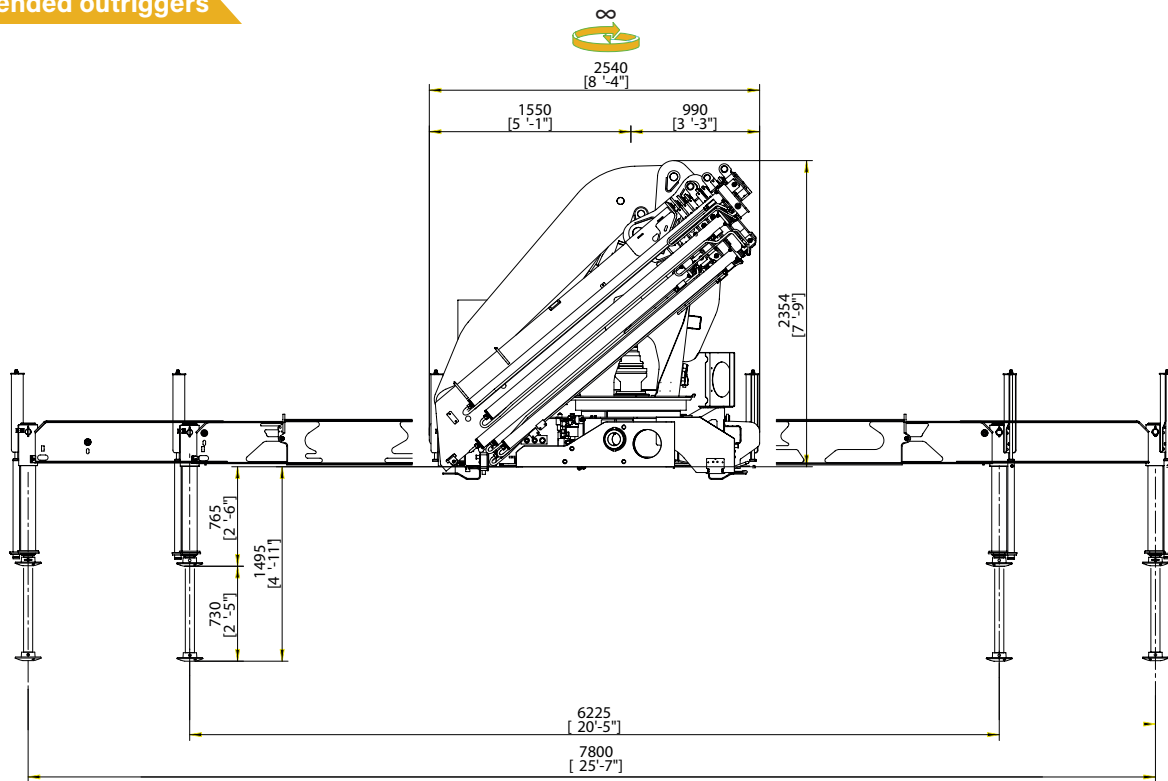
rear truck



operational



extended outriggers



Note: technical features are not binding, the company reserves itself the right to any modification without notice












360 TOP RANGE










Technical Data

summarized data

*600° for Extra E.C. market

									
	kN.m	bar	l/min	kg	°	mm	mm	mm	mm
360.3	328,88	300	60	3990	∞*	2540	1338	2354	6200/7800
360.4	319,17	300	60	4160	∞*	2540	1338	2354	6200/7800
360.4J3	319,17	300	60	4630	∞*	2540	1540	2640	6200/7800
360.4J4	319,17	300	60	4780	∞*	2540	1540	2640	6200/7800
360.5	314,53	300	60	4320	∞*	2540	1338	2354	6200/7800
360.5J3	314,53	300	60	4880	∞*	2540	1540	2640	6200/7800
360.5J4	314,53	300	60	4940	∞*	2540	1540	2640	6200/7800
360.6	307,45	300	60	4480	∞*	2540	1413	2354	6200/7800
360.6J2	307,45	300	60	4980	∞*	2540	1540	2696	6200/7800
360.6J3	307,45	300	60	5040	∞*	2540	1540	2696	6200/7800
360.6J4	307,45	300	60	5100	∞*	2540	1540	2696	6200/7800
360.7	304,28	300	60	4610	∞*	2540	1432	2354	6200/7800
360.8	291,95	300	60	4720	∞*	2540	1442	2354	6200/7800

*600° for Extra E.C. market

									
	lbs.ft	psi	gal/min	lbs	°	ft/inc	ft/inc	ft/inc	ft/inc
360.3	237878	4350	15,8	8800	∞*	8'4"	4'5"	7'9"	20'5"/25'7"
360.4	230856	4350	15,8	9170	∞*	8'4"	4'5"	7'9"	20'5"/25'7"
360.4J3	230856	4350	15,8	10339	∞*	8'4"	5'1"	8'8"	20'5"/25'7"
360.4J4	230856	4350	15,8	10537	∞*	8'4"	5'1"	8'8"	20'5"/25'7"
360.5	227500	4350	15,8	9520	∞*	8'4"	4'5"	7'9"	20'5"/25'7"
360.5J3	220968	4350	15,8	10760	∞*	8'4"	5'1"	8'8"	20'5"/25'7"
360.5J4	220968	4350	15,8	10890	∞*	8'4"	5'1"	8'8"	20'5"/25'7"
360.6	222379	4350	15,8	9880	∞*	8'4"	4'8"	7'9"	20'5"/25'7"
360.6J2	222379	4350	15,8	10980	∞*	8'4"	5'1"	8'10"	20'5"/25'7"
360.6J3	222379	4350	15,8	11110	∞*	8'4"	5'1"	8'10"	20'5"/25'7"
360.6J4	222379	4350	15,8	11240	∞*	8'4"	5'1"	8'10"	20'5"/25'7"
360.7	222085	4350	15,8	10160	∞*	8'4"	4'8"	7'9"	20'5"/25'7"
360.8	211167	4350	15,8	10410	∞*	8'4"	4'9"	7'9"	20'5"/25'7"

*600° for Extra E.C. market

technical data

Max. lifting moment	328,88 kNm	237878 ft.lbs
Max. hydraulic outreach	20.90 m	68'7"
Slewing angle	∞	∞
Slewing torque	3600 daNm	23652 ft.lbs
Stabilizer spread	6.22/7,8 mt	20'5"/25'7"
Fitting space required (min./max)	1,33 m/1.55 m	4'5"/5'1"
Width folded	2,54 m	8'4"
Max. operating pressure	300 bar	4350 psi
Recommended pump capacity	60 l/min	15,8 US gal./min
Dead weight (vers. 3)	3990 kg	8800 lbs

Note: technical features are not binding, the company reserves itself the right to any modification without notice



COPMA 360



knuckle
boom
cranes



Powerful Synergies



CPS



**CPS
STEEL**

CPS GROUP S.P.A.

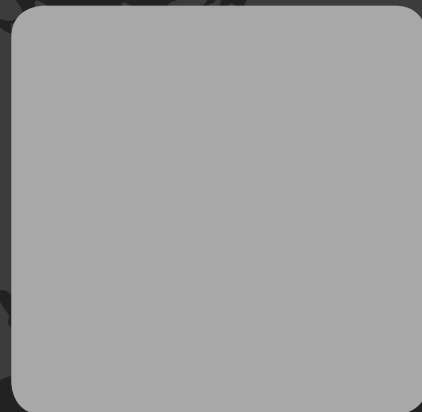
281 Via Emilia , Castel Bolognese (RA) , 48014
Italy

T +39 0546 653 711

sales.cpsgroup@cps-group.com

service.cpsgroup@cps-group.com

cps-group.com



COPMA MODEL 360 TOP RANGE 6-2019 all rights reserved CPS GROUP

