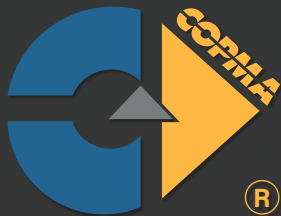




Powerful Synergies



cps-group.com



COPMA[®]
510

TOP RANGE
MODEL

COPMA 510

Performance & Power

510 HAS COMPACT DIMENSIONS AND OPTIMIZED WEIGHTS WITH A CUSTOMIZED DESIGN FOR MORE POWER AND RELIABILITY AT EVERY OPERATOR NEED.

- **TOP RANGE - HEAVY RANGE model, load category - 50 Ton/Mt**
- **High tensile strength steel**
- **Efficient safety system**
- **Reliability, speed and precision**
- **Extra long working life cycle**
- **Easier maintenance operations**





**THE MOST
POWERFUL
CRANE FOR
THE TOUGHEST
MARKETS**

COPMA 510

More Safety & Security

**DESIGNED WITH THE HIGHEST
HYDRAULIC SYSTEMS AND THE
TOUGHEST STRUCTURAL STEEL
TO PERFORM THE MAXIMUM
LIFTING CAPACITY.**

- **Superior Hydraulic Technology**
- **Dynamic Electronic Controls**
- **High Degree of User Friendliness**
- **Efficiency and Reliability thanks to superior structural features**
- **More Efficiency with advanced electronic controls**





**DESIGNED
FOR FLEXIBLE
SERVICES**

COPMA 510

Technical Features

**CUTTING EDGE FEATURES
FOR MAXIMUM LIFTING
POWER, STABILITY AND
OPERATIONAL SAFETY IN EVERY
WORKING CONDITION.**

Standard features

- easy use



- control



- structure



optional features

- control



*CEversion
OPT. for NO CE version





High Speed Extension

Hydraulic system for reducing load losses and bottlenecks for the correct output sequence of the extensions by increasing the speed of 30%-60% thanks to the regenerative valve. Greater continuous performance thanks to lower fluid temperature.



Electronic Radio Display

A display on the remote control allows the operator to maintain the total control of all the crane functions in real time by managing the work mode, the stability control, and oversee any maintenance and diagnostic messages.



Transport Alert Device

Sensors on the basement guarantee the correct closing of the beams and a column switch sensor indicates if the crane is in a folded position, no more than 4 Mt in height. The operator is warned with light and sound signals in the truck cabin.



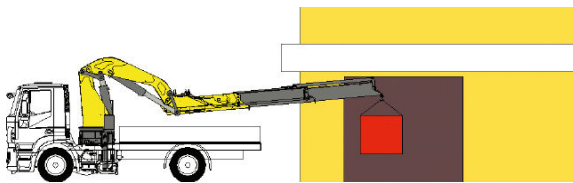
Hydraulic Lifting Stabilizers 2.0

The stabilizer cylinder is lifted thanks to an auxiliary jack, allowing the vertical movement inside a bush or a rotation around a pin. This easy use system saves time and allows an efficient stabilizer set up.



Negative Boom System

The linkage on the articulation of the secondary boom permits the introduction of loads within restricted spaces. It enables the recovery of the deflection of the extension boom group due to the weight and the load raised on the extensions.



Radio Remote Control 3.0

Radio control with directly flanged actuation electronics with proportional distribution. The remote control allows operating the crane while constantly monitoring the areas of operation.



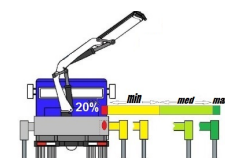
Crane Monitoring System 2.0

Crane stability control system TES2-TES3 with safety and overload controls and HPVE lifting speed management. Active control on 4-8 working areas according to the model and vehicle stability requirements.



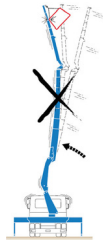
Truck Electronic Stability 3.0

Active stability control for performance optimization according to the type of stabilization to guarantee maximum safety in all working conditions. Mandatory in the CE market, it helps a better vehicle-crane configuration.



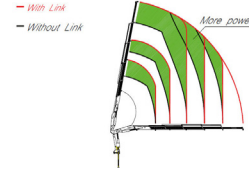
NCS
control
Negative Control System

Slope sensors mounted on the articulated booms of the crane, combined with the electronic control, manage the maximum vertical angle of the arms and the JIB preventing incorrect or dangerous movements by the operator.



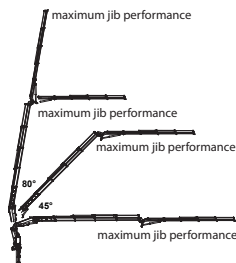
CCLS
structure
Constant Control Link

The cranes equipped with connecting rods on the articulations, with a constant lifting moment over the entire working arc, allow to 100% optimize the crane's capacity in positions close to the maximum vertical.



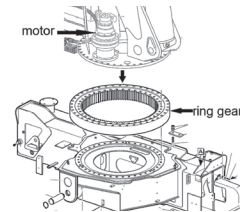
PJM
control
Power Jib Monitoring

The PJM system guarantees to operate with the maximum performance in every working condition thanks to a dynamic variation of the maximum pressure according to the crane arm angles.



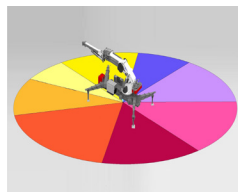
RES
1.0
structure
Rotation Endless System 1.0

A rotating bearing and one gearbox system, the electric wires are linked between base-column with a swivel electrical-hydraulic joint. Allows operator to gain maximum power also at the slowest operational speed and having the highest precision.



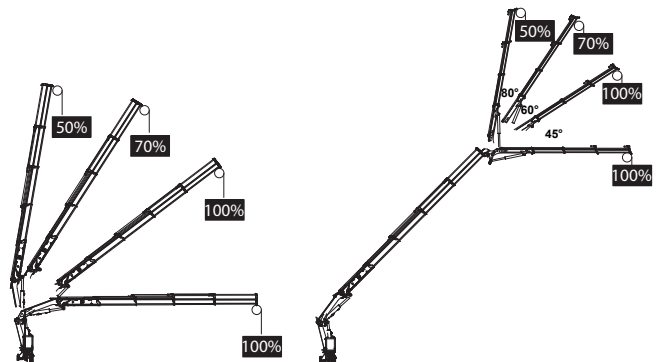
CMS
3.0
control
Crane Monitoring System 3.0

Crane stability control system TES2-TES3, with safety and overload controls medium high-range crane and HPVE lifting speed management. Active control on 4-8 working areas according to the model and vehicle stability requirements.



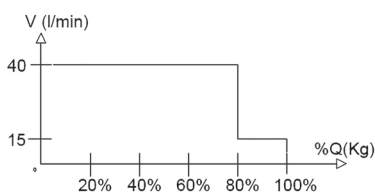
WLC
control
Winch Linear Control

The winch linear electronic control allows pulling the rope according to the working angle of the crane and the JIB. It optimizes the load control and makes every movement easier and safer.



HPVh
easy use
High Power Velocity Hydraulic

Fully automatic hydraulic system for adjusting the crane lifting speed according to the maximum working pressure. With this system, the load capacity of the machine is optimized by reducing the dynamic structural effects.



CRC
4.0
control
COPMA® Remote Connectivity 4.0

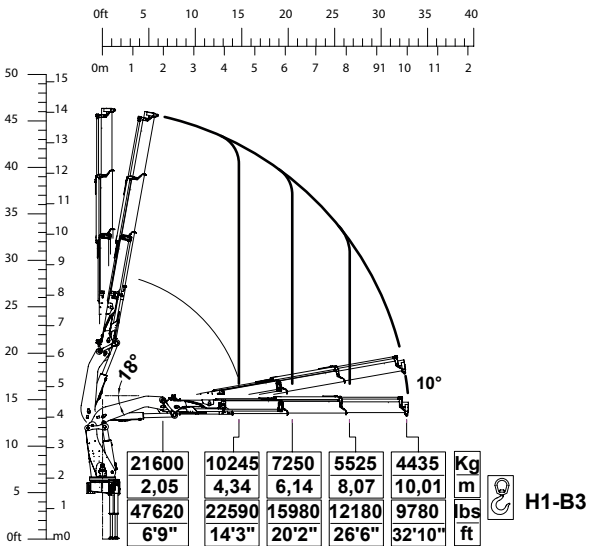
COPMA® Remote Connectivity 4.0 to the crane. Two-way communication by GPRS for real-time diagnosis and remote real-time parameter setting and/or adjustment.



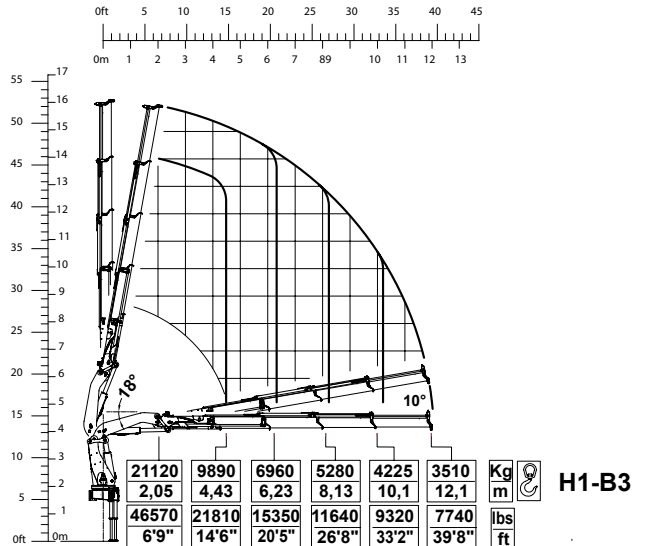
510 TOP RANGE

Load Charts

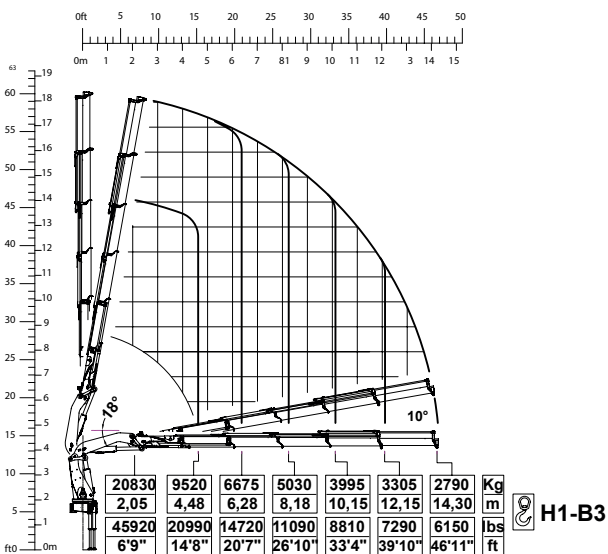
3 extensions



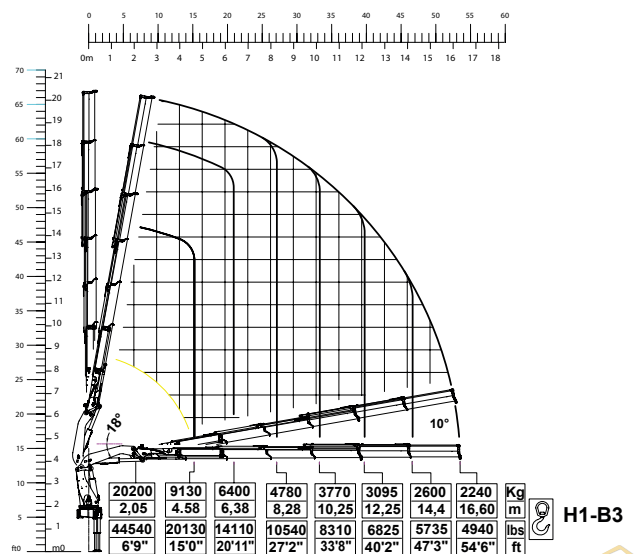
4 extensions



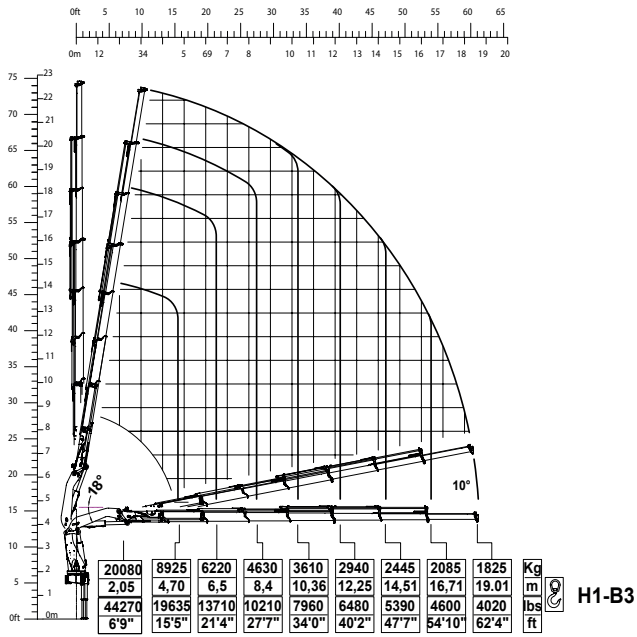
5 extensions



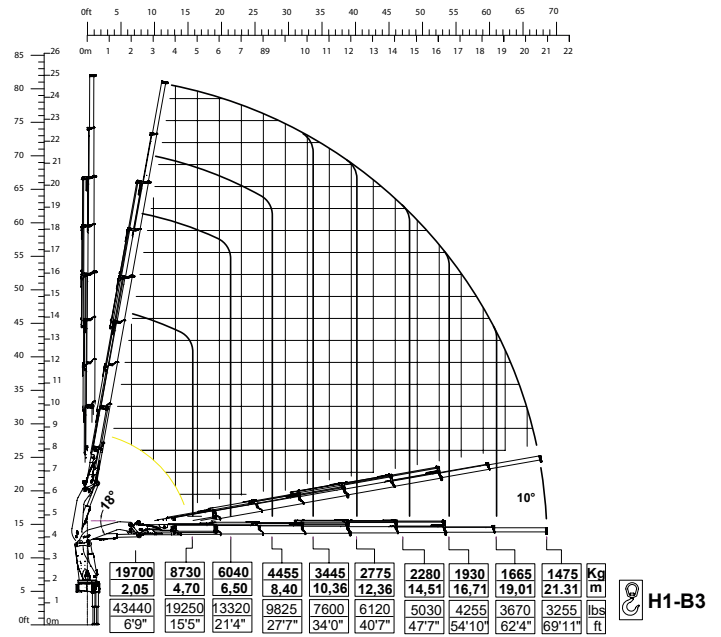
6 extensions



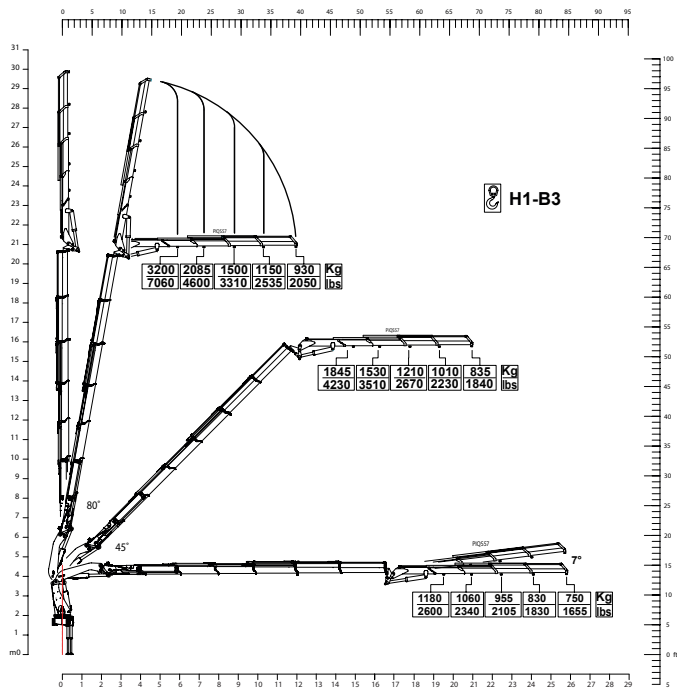
7 extensions



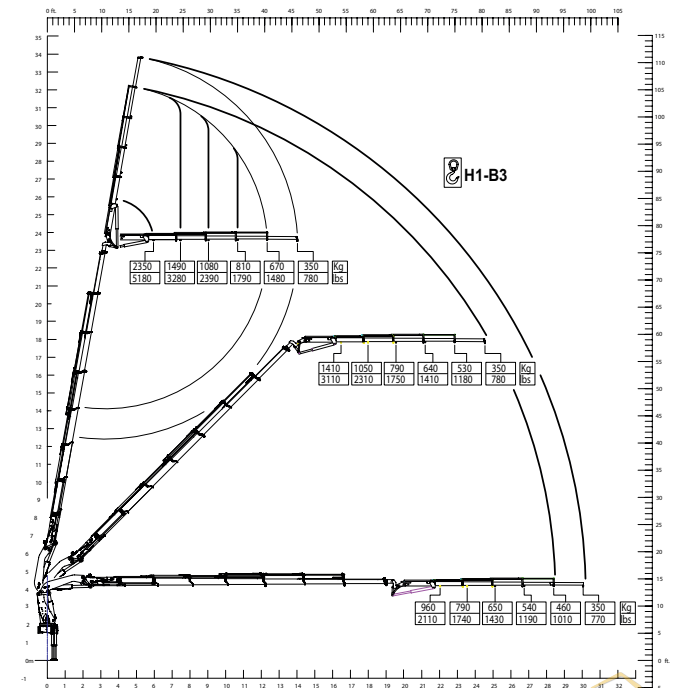
8 extensions



510.6 + J4



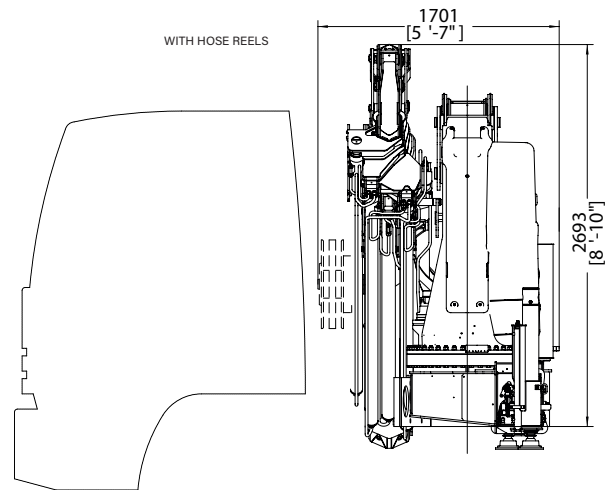
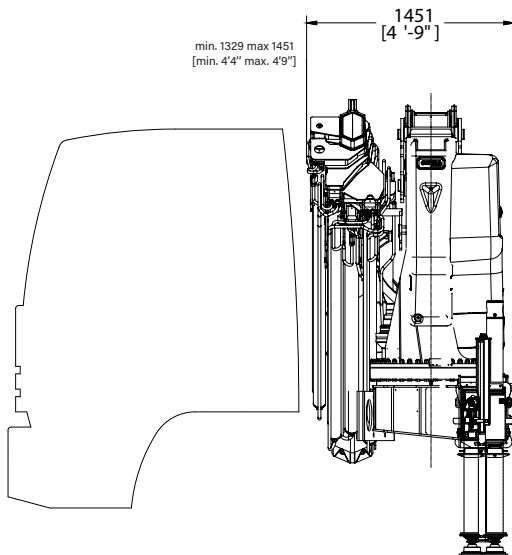
510.7 + J4



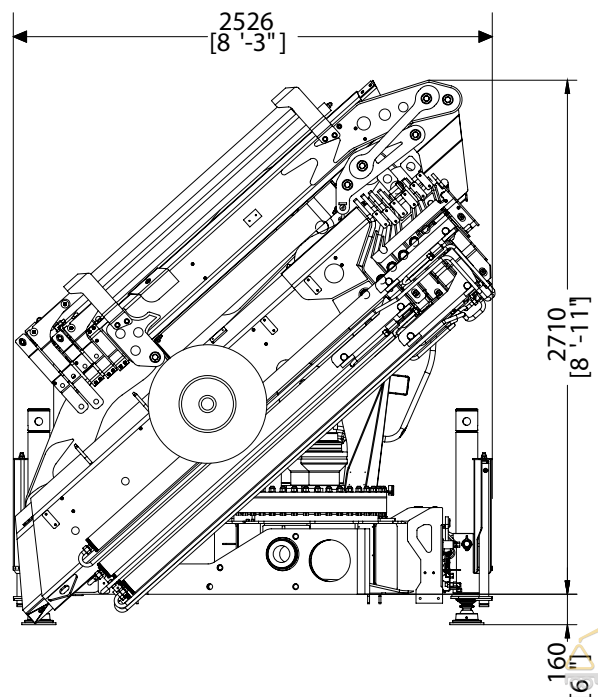
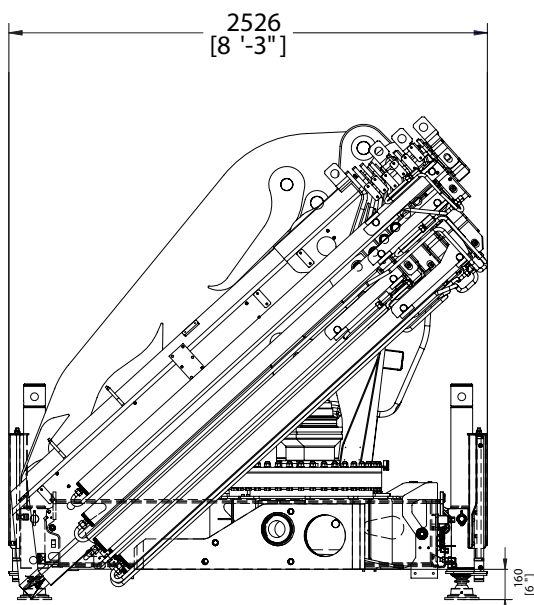
510 TOP RANGE

Crane Dimensions

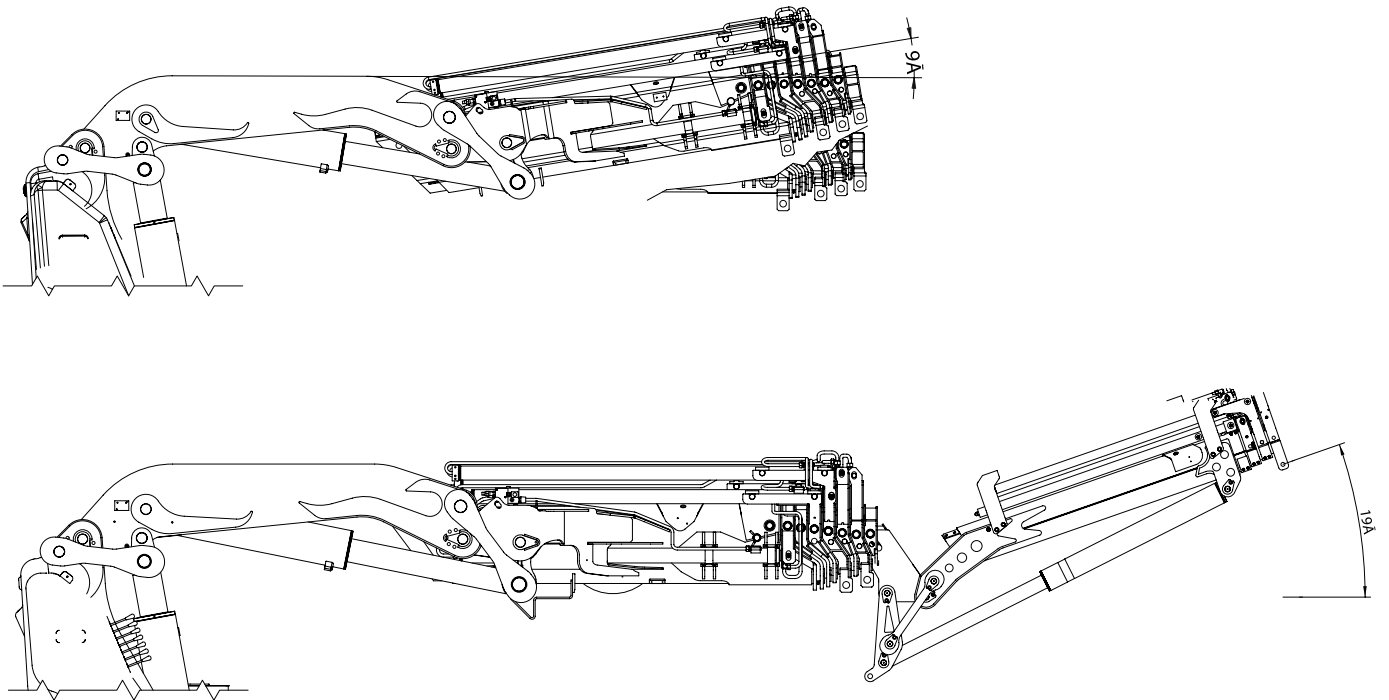
back cabin left



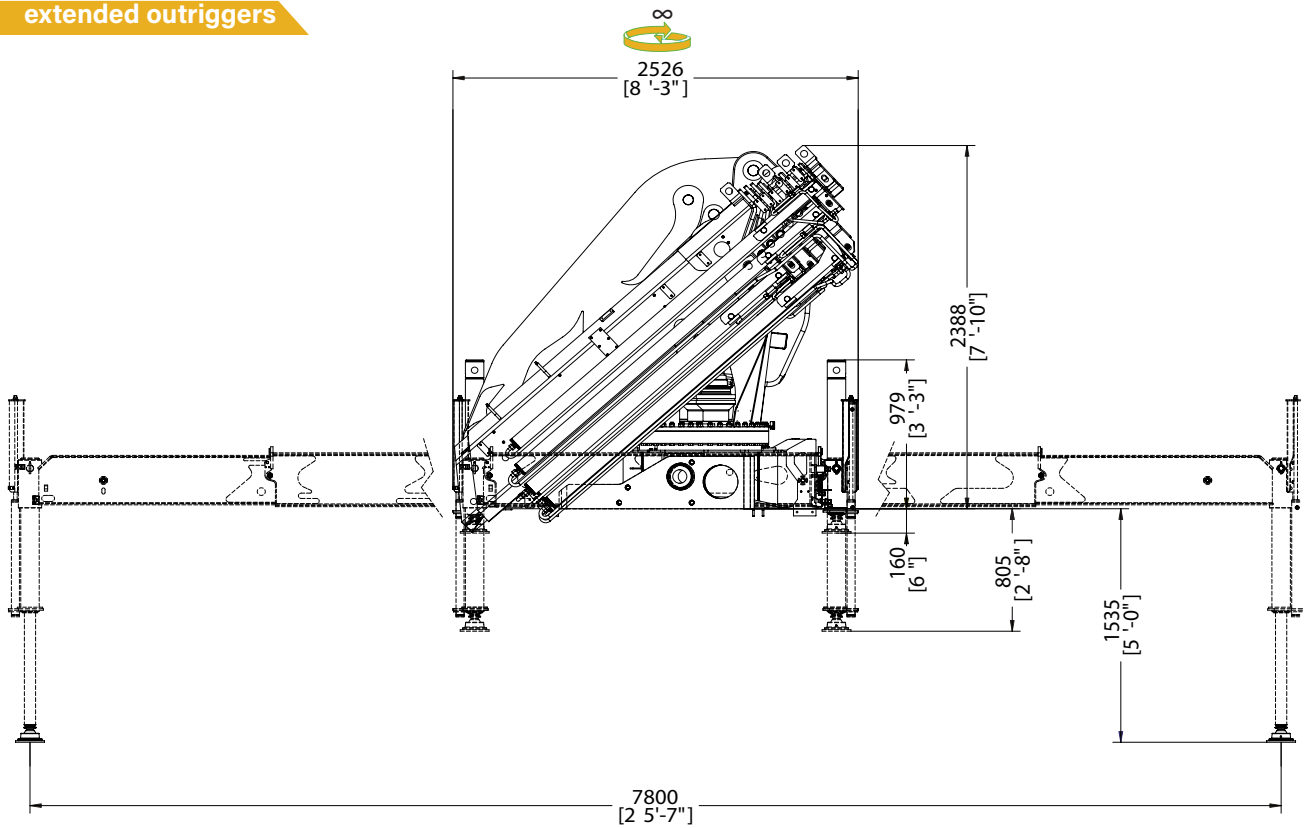
rear truck



operational



extended outriggers












* Note: technical features are not binding, the company reserves itself the right to any modification without notice












510 TOP RANGE

Technical Data

summarized data

									
	kN.m	bar	l/min	kg	°	mm	mm	mm	mm
510.3	437	325	70	4960	∞	2525	1329	2349	7800
510.4	429	325	70	5140	∞	2525	1329	2349	7800
510.5	418	325	70	5300	∞	2525	1345	2349	7800
510.6	411	320	70	5480	∞	2525	1437	2349	7800
510.6J4	411	320	70	6360	∞	2525	1570	2800	7800
510.7	410	320	70	5540	∞	2525	1451	2388	7800
510.7j3	410	320	70	6070	∞	2525	1701	2710	7800
510.7j4	410	320	70	6135	∞	2525	1701	2710	7800
510.8	402	320	70	5670	∞	2525	1451	2388	7800

									
	lbs.ft	psi	gal/min	lbs	°	ft/inc	ft/inc	ft/inc	ft/inc
510.3	316299	4712	18.4	10912	∞	8'3"	4'4"	7'8"	25'7"
510.4	310802	4712	18.4	11308	∞	8'3"	4'4"	7'8"	25'7"
510.5	302918	4712	18.4	11680	∞	8'3"	4'5"	7'8"	25'7"
510.6	297566	4640	18.4	12056	∞	8'3"	4'8"	7'8"	25'7"
510.6J4	297566	4640	18.4	13996	∞	8'3"	5'2"	7'8"	25'7"
510.7	296625	4640	18.4	12188	∞	8'3"	4'9"	7'10"	25'7"
510.7j3	296625	4640	18.4	13356	∞	8'3"	5'7"	8'11"	25'7"
510.7j4	296625	4640	18.4	13500	∞	8'3"	5'7"	8'11"	25'7"
510.8	291128	4640	18.4	12474	∞	8'3"	4'9"	7'10"	25'7"

technical data

Max. lifting moment	437 kNm	316299 ft.lbs
Max. hydraulic outreach	21,31 m	69'11"
Slewing angle	∞	∞
Slewing torque	5500 daNm	23652 ft.lbs
Stabilizer spread	7,8 mt	25'7"
Fitting space required (min./max)	1,33 m/1,70 m	4'9"/5'7"
Width folded	2,53 m	8'3"
Max. operating pressure	325 bar	4640 psi
Recommended pump capacity	70 l/min	18,4 US gal./min
Dead weight (vers. 4)	4960 kg	10912 lbs

* Note: technical features are not binding, the company reserves itself the right to any modification without notice







**SUPERIOR
RELIABILITY
FOR EVERY
OPERATOR**



COPMA 510



knuckle
boom
cranes



Powerful Synergies



CPS



**CPS
STEEL**

CPS GROUP S.P.A.

281 Via EmiliaW, Castel Bolognese (RA), 48014
Italy

T +39 0546 653 711

sales.cpsgroup@cps-group.com

service.cpsgroup@cps-group.com

cps-group.com



UNICERT
ISO 9001:2008



COPMA MODEL 510 TOP RANGE 3_2021 all rights reserved CPS GROUP