



Powerful Synergies



[cps-group.com](http://cps-group.com)



**COPMA**  
530

TOP RANGE  
MODEL

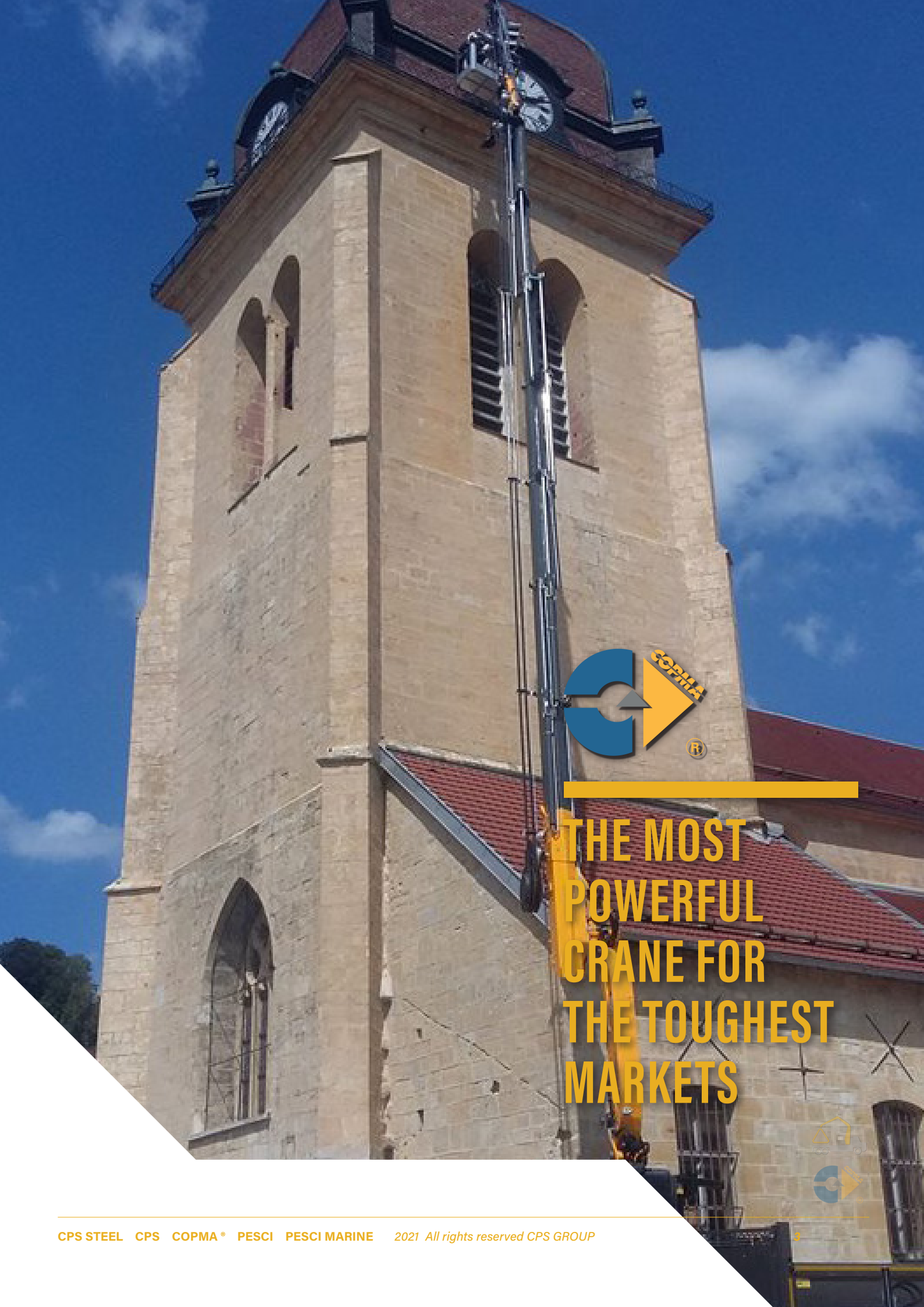
# COPMA 530

Performance & Power

**530 HAS COMPACT DIMENSIONS AND OPTIMIZED WEIGHTS WITH A CUSTOMIZED DESIGN FOR MORE POWER AND RELIABILITY AT EVERY OPERATOR NEED.**

- **TOP RANGE - HEAVY RANGE model, load category - 50 Ton/Mt**
- **High tensile strength steel**
- **Efficient safety system**
- **Reliability, speed and precision**
- **Extra long working life cycle**
- **Easier maintenance operations**





**THE MOST  
POWERFUL  
CRANE FOR  
THE TOUGHEST  
MARKETS**



# COPMA 530

More Safety & Security

**DESIGNED WITH THE HIGHEST  
HYDRAULIC SYSTEMS AND THE  
TOUGHEST STRUCTURAL STEEL  
TO PERFORM THE MAXIMUM  
LIFTING CAPACITY.**

- **Superior Hydraulic Technology**
- **Dynamic Electronic Controls**
- **High Degree of User Friendliness**
- **Efficiency and Reliability thanks to superior structural features**
- **More Efficiency with advanced electronic controls**





**DESIGNED  
FOR FLEXIBLE  
SERVICES**

# COPMA 530

## Technical Features

**CUTTING EDGE FEATURES  
FOR MAXIMUM LIFTING  
POWER, STABILITY AND  
OPERATIONAL SAFETY IN EVERY  
WORKING CONDITION.**

### Standard features

- easy use



- control



- structure



### optional features

- control



\*CEversion  
OPT. for NO CE version





### High Speed Extension

Hydraulic system for reducing load losses and bottlenecks for the correct output sequence of the extensions by increasing the speed of 30%-60% thanks to the regenerative valve. Greater continuous performance thanks to lower fluid temperature.



### Electronic Radio Display

A display on the remote control allows the operator to maintain the total control of all the crane functions in real time by managing the work mode, the stability control, and oversee any maintenance and diagnostic messages.



### Transport Alert Device

Sensors on the basement guarantee the correct closing of the beams and a column switch sensor indicates if the crane is in a folded position, no more than 4 Mt in height. The operator is warned with light and sound signals in the truck cabin.



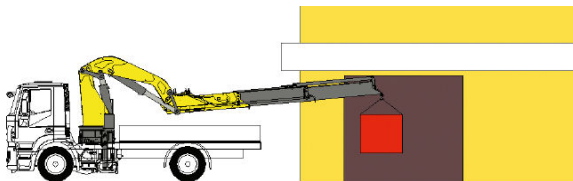
### Hydraulic Lifting Stabilizers 2.0

The stabilizer cylinder is lifted thanks to an auxiliary jack, allowing the vertical movement inside a bush or a rotation around a pin. This easy use system saves time and allows an efficient stabilizer set up.



### Negative Boom System

The linkage on the articulation of the secondary boom permits the introduction of loads within restricted spaces. It enables the recovery of the deflection of the extension boom group due to the weight and the load raised on the extensions.



### Radio Remote Control 3.0

Radio control with directly flanged actuation electronics with proportional distribution. The remote control allows operating the crane while constantly monitoring the areas of operation.



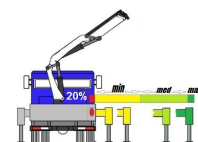
### Crane Monitoring System 2.0

Crane stability control system TES2-TES3 with safety and overload controls and HPVE lifting speed management. Active control on 4-8 working areas according to the model and vehicle stability requirements.



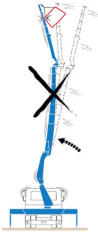
### Truck Electronic Stability 3.0

Active stability control for performance optimization according to the type of stabilization to guarantee maximum safety in all working conditions. Mandatory in the CE market, it helps a better vehicle-crane configuration.



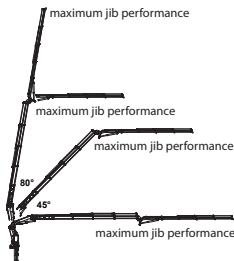
**NCS**  
control  
**Negative Control System**

Slope sensors mounted on the articulated booms of the crane, combined with the electronic control, manage the maximum vertical angle of the arms and the JIB preventing incorrect or dangerous movements by the operator.



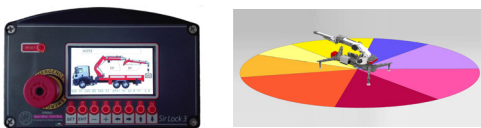
**PJM**  
control  
**Power Jib Monitoring**

The PJM system guarantees to operate with the maximum performance in every working condition thanks to a dynamic variation of the maximum pressure according to the crane arm angles.



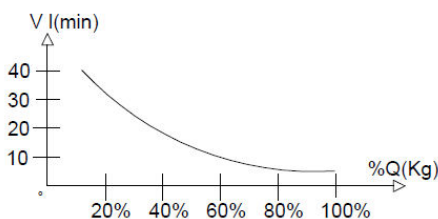
**CMS 3.0**  
control  
**Crane Monitoring System 3.0**

Crane stability control system TES2-TES3, with safety and overload controls medium high-range crane and HPVE lifting speed management. Active control on 4-8 working areas according to the model and vehicle stability requirements.



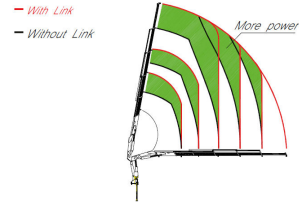
**HPVe**  
easy use  
**High Power Velocity Electronic**

A valve electronically manages the flow of oil to the distributor by increasing the load capacity of the crane and intervening on the lifting speed. Allowing the reduction of dynamic effects while optimizing performance.



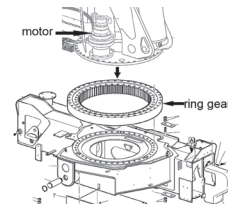
**CCLS**  
structure  
**Constant Control Link**

The cranes equipped with connecting rods on the articulations, with a constant lifting moment over the entire working arc, allow to 100% optimize the crane's capacity in positions close to the maximum vertical.



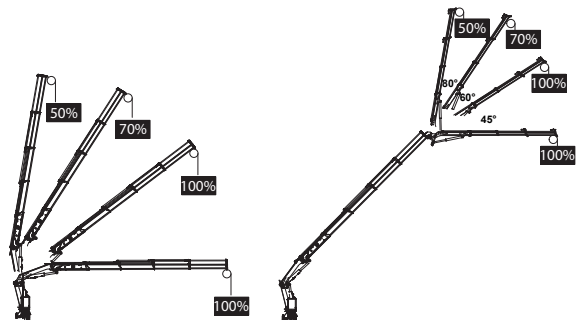
**RES 1.0**  
structure  
**Rotation Endless System 1.0**

A rotating bearing and one gearbox system, the electric wires are linked between base-column with a swivel electrical-hydraulic joint. Allows operator to gain maximum power also at the slowest operational speed and having the highest precision.



**WLC**  
control  
**Winch Linear Control**

The winch linear electronic control allows pulling the rope according to the working angle of the crane and the JIB. It optimizes the load control and makes every movement easier and safer.



**CRC 4.0**  
control  
**COPMA® Remote Connectivity 4.0**

COPMA® Remote Connectivity 4.0 to the crane. Two-way communication by GPRS for real-time diagnosis and remote real-time parameter setting and/or adjustment.

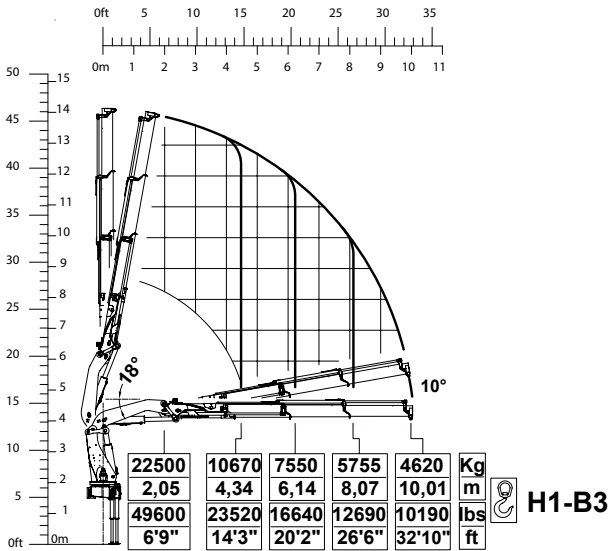




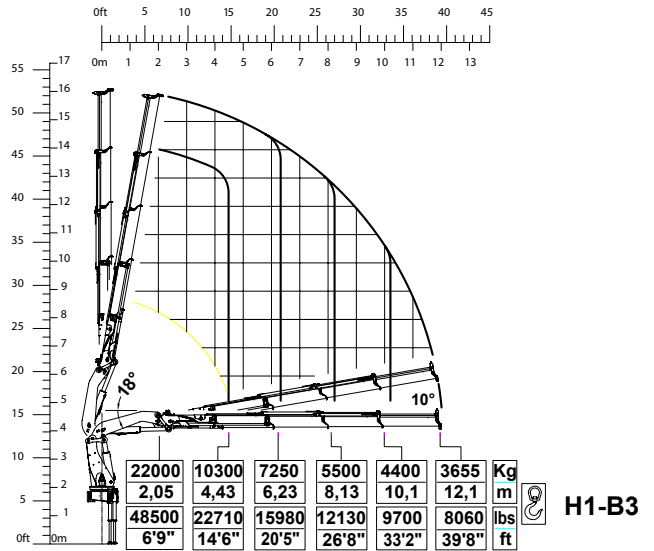
# 530 TOP RANGE

## Load Charts

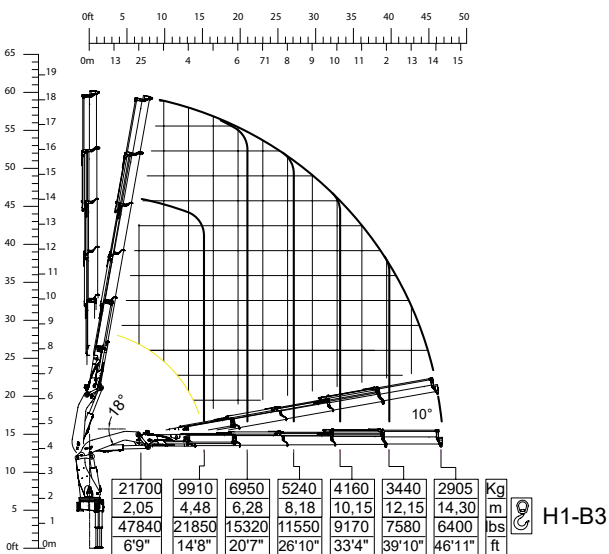
### 3 extensions



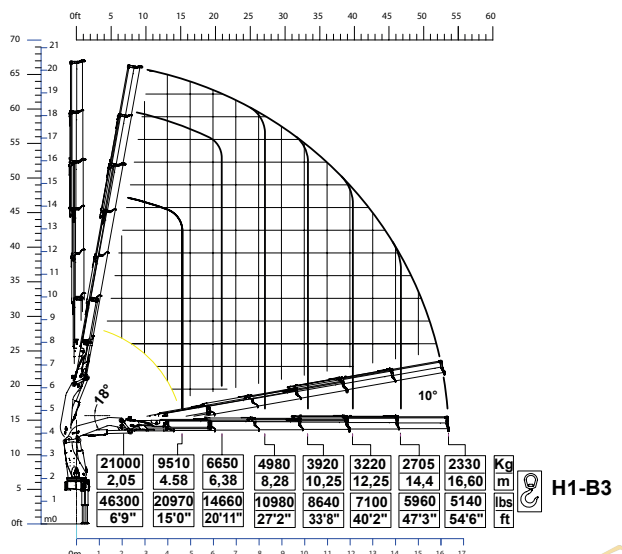
### 4 extensions



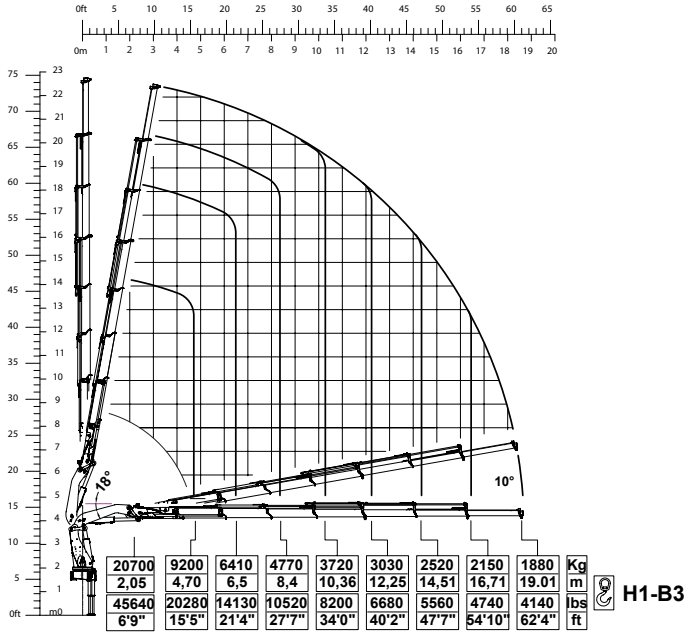
### 5 extensions



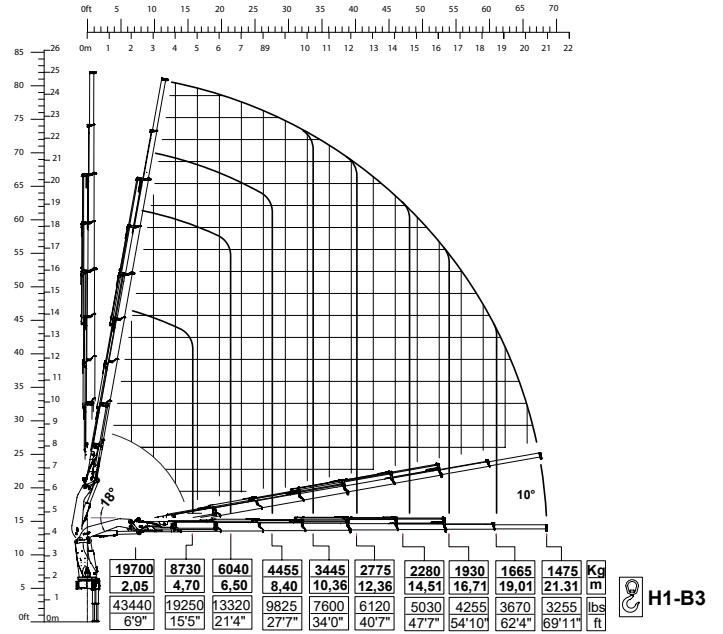
### 6 extensions



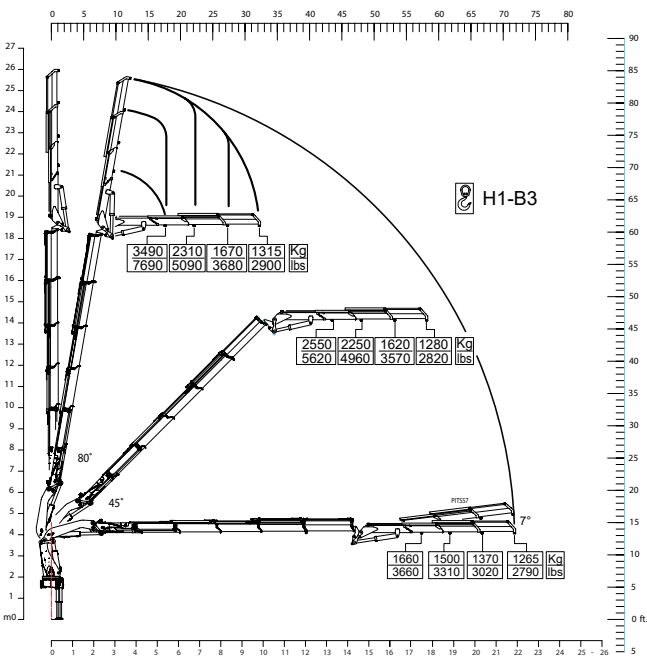
### 7 extensions



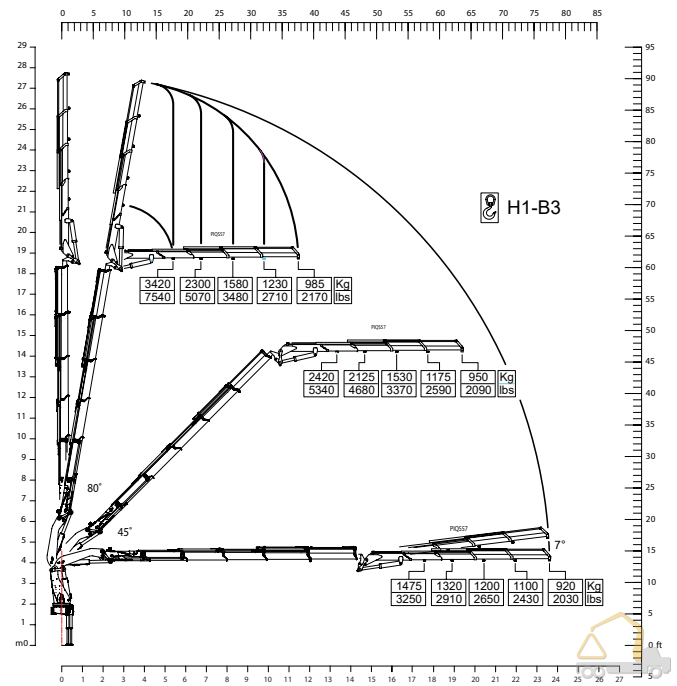
### 8 extensions



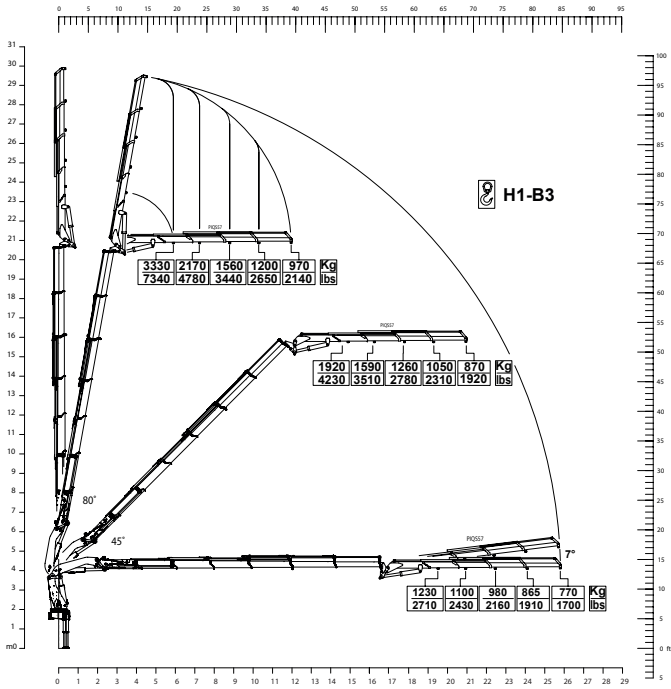
### 530.5 + J3



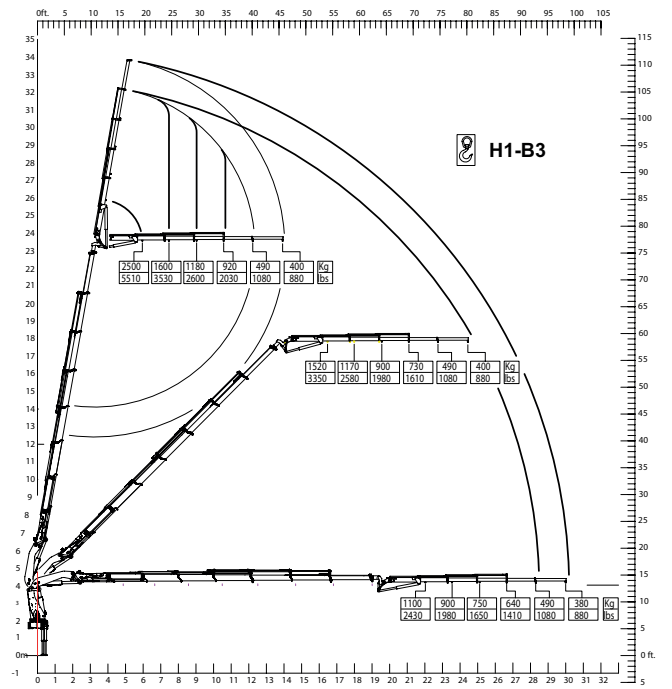
### 530.5 + J4



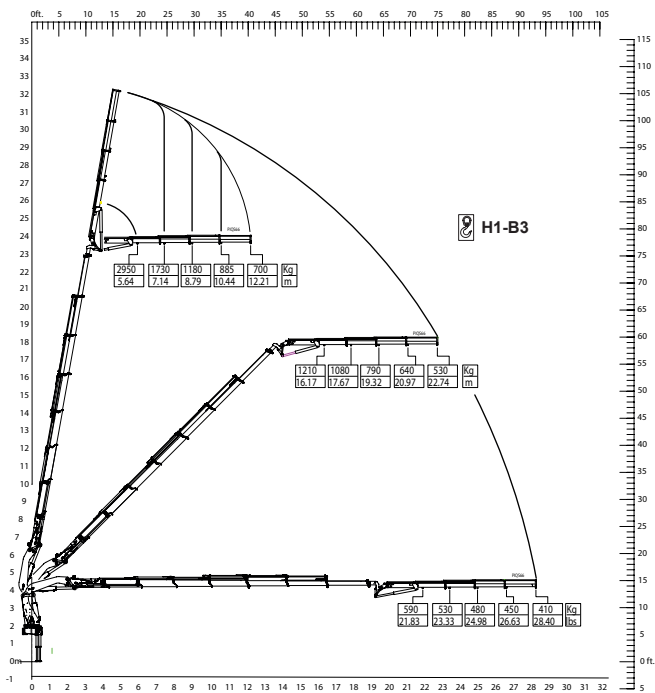
530.6 + J4



530.7 + J3



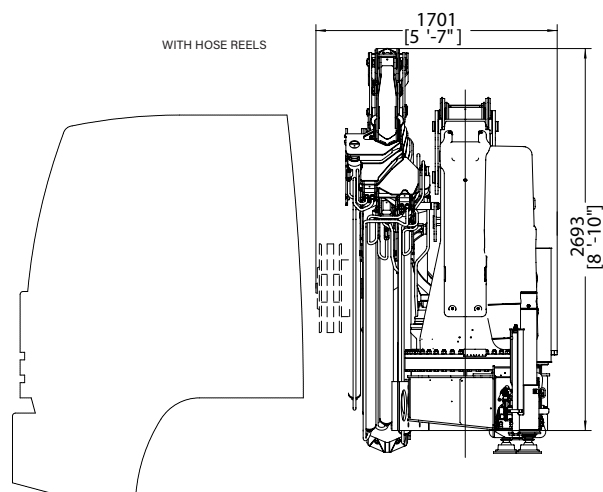
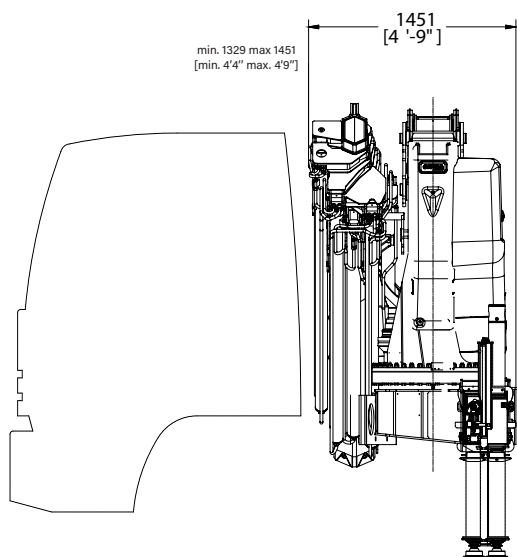
530.7 + J4



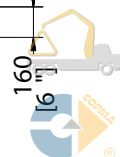
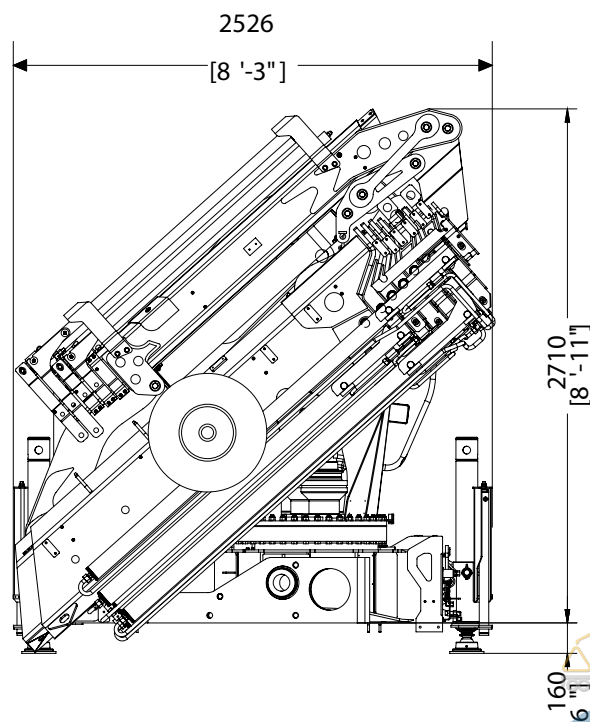
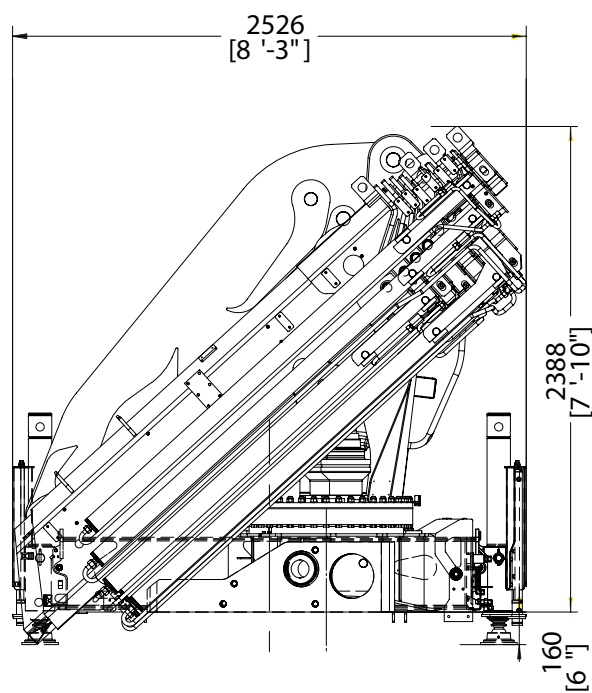
# 530 TOP RANGE

## Crane Dimensions

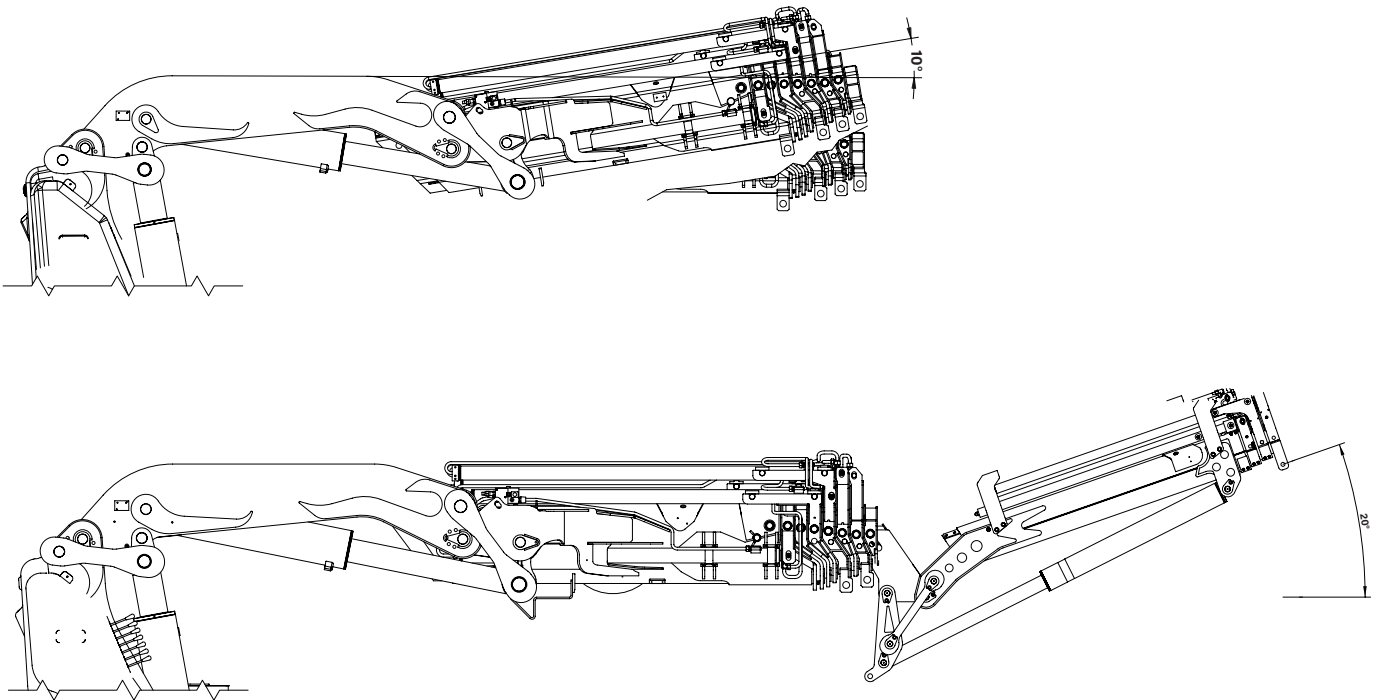
### back cabin left



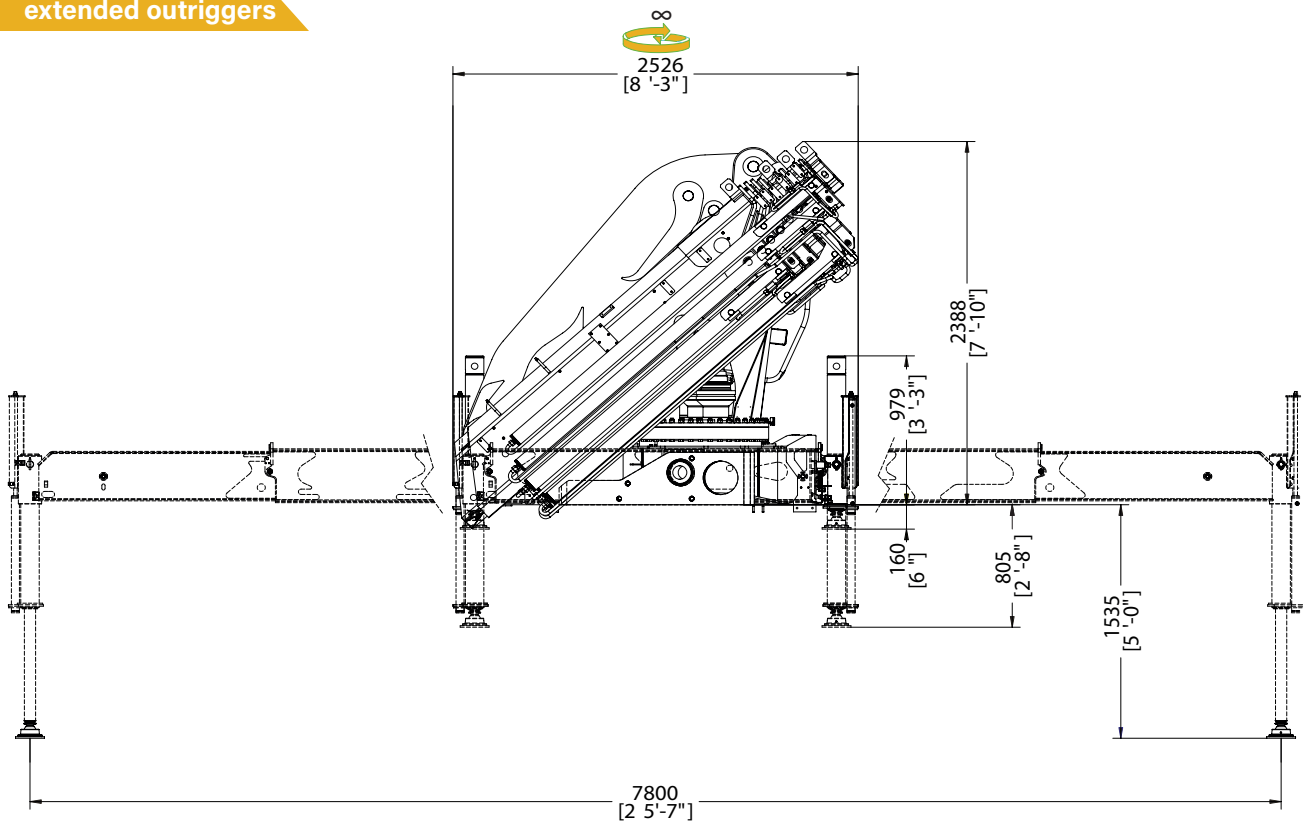
### rear truck



operational



extended outriggers












\* Note: technical features are not binding, the company reserves itself the right to any modification without notice












# 530 TOP RANGE

## Technical Data

### summarized data

	 kN.m	 bar	 l/min	 kg	 °	 mm	 mm	 mm	 mm
530.3	455	330	70	4960	∞	2525	1329	2349	7800
530.4	447	330	70	5140	∞	2525	1329	2349	7800
530.5	435	330	70	5300	∞	2525	1345	2349	7800
530.5J3	435	330	70	6080	∞	2536	1701	2767	7800
530.5J4	435	330	70	6180	∞	2536	1701	2767	7800
530.6	427	330	70	5480	∞	2525	1437	2349	7800
530.6J4	427	330	70	6360	∞	2525	1701	2800	7800
530.7	424	330	70	5540	∞	2525	1451	2388	7800
530.7j3	424	330	70	6070	∞	2525	1701	2710	7800
530.7j4	424	330	70	6135	∞	2525	1701	2710	7800
530.8	415	330	70	5670	∞	2525	1451	2388	7800

	 lbs.ft	 psi	 gal/min	 lbs	 °	 ft/inc	 ft/inc	 ft/inc	 ft/inc
530.3	329535	4857	18.4	10912	∞	8'3"	4'4"	7'8"	25'7"
530.4	323677	4857	18.4	11308	∞	8'3"	4'4"	7'8"	25'7"
530.5	315142	4857	18.4	11680	∞	8'3"	4'5"	7'8"	25'7"
530.5J3	315142	4857	18.4	13400	∞	8'4"	5'7"	8'11"	25'7"
530.5J4	315142	4857	18.4	13620	∞	8'4"	5'7"	8'11"	25'7"
530.6	308994	4857	18.4	12056	∞	8'3"	4'8"	7'8"	25'7"
530.6J4	297566	4857	18.4	13996	∞	8'3"	5'7"	7'8"	25'7"
530.7	306896	4857	18.4	12188	∞	8'3"	4'9"	7'10"	25'7"
530.7j3	296625	4857	18.4	13356	∞	8'3"	5'7"	8'11"	25'7"
530.7j4	296625	4857	18.4	13500	∞	8'3"	5'7"	8'11"	25'7"
530.8	300170	4857	18.4	12474	∞	8'3"	4'9"	7'10"	25'7"

### technical data

Max. lifting moment	455 kNm	329535 ft.lbs
Max. hydraulic outreach	21,31 m	69'11"
Slewing angle	∞	∞
Slewing torque	5500 daNm	23652 ft.lbs
Stabilizer spread	7,8 mt	25'7"
Fitting space required (min./max)	1,45 m/1,70 m	4'9"/5'7"
Width folded	2,53 m	8'3"
Max. operating pressure	330 bar	4857 psi
Recommended pump capacity	70 l/min	18,4 US gal./min
Dead weight (vers. 3)	4960 kg	10912 lbs

\* Note: technical features are not binding, the company reserves itself the right to any modification without notice





**SUPERIOR  
RELIABILITY  
FOR EVERY  
OPERATOR**

# COPMA 530



knuckle  
boom  
cranes



Powerful Synergies



**CPS**



**CPS  
STEEL**

## CPS GROUP S.P.A.

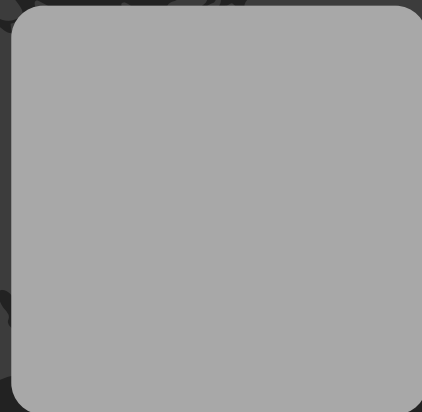
281 Via Emilia, Castel Bolognese (RA), 48014  
Italy

T +39 0546 653 711

[sales.cpsgroup@cps-group.com](mailto:sales.cpsgroup@cps-group.com)

[service.cpsgroup@cps-group.com](mailto:service.cpsgroup@cps-group.com)

[cps-group.com](http://cps-group.com)



COPMA MODEL 530 TOP RANGE 3-2021 all rights reserved CPS GROUP

UNICERT  
ISO 9001:2008

