



Powerful Synergies



cps-group.com



COPMA

SPE

MODEL

COPMA SPE

Performance & Power

**SPE MODELS ARE COMPACT
DIMENSIONS AND OPTIMIZED WEIGHTS
WITH A CUSTOMIZED DESIGN FOR
MORE POWER AND RELIABILITY AT
EVERY OPERATOR NEED.**

- **SPE cranes models load category -from 13 to 70 Ton/Mt**
- **High tensile strength steel**
- **Efficient safety system**
- **Reliability, speed and precision**
- **Extra long working life cycle**
- **Easier maintenance operations**





**THE MOST
POWERFUL
CRANES FOR
THE TOUGHEST
MARKETS**



COPMA SPE

Technical Features

**CUTTING EDGE FEATURES
FOR MAXIMUM LIFTING
POWER, STABILITY AND
OPERATIONAL SAFETY IN EVERY
WORKING CONDITION.**

All features

- easy use



- control



- structure





High Speed Extension

Hydraulic system for reducing load losses and bottlenecks for the correct output sequence of the extensions by increasing the speed of 30%-60% thanks to the regenerative valve. Greater continuous performance thanks to lower fluid temperature.



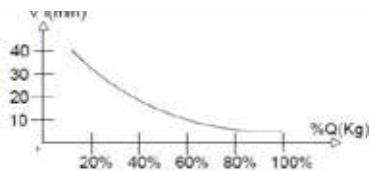
Electronic Radio Display

A display on the remote control allows the operator to maintain the total control of all the crane functions in real time by managing the work mode, the stability control, and oversee any maintenance and diagnostic messages.



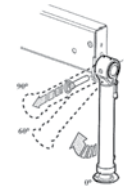
High Power Velocity Electronic

A valve electronically manages the flow of oil to the distributor by increasing the load capacity of the crane and intervening on the lifting speed. Allowing the reduction of dynamic effects while optimizing performance.



Hydraulic Lifting Stabilizers 2.0

Manual lifting of the crane legs. The manual lifting of the legs helps the operator adjust its extension manually without additional assistance from electronics or hydraulic controls.



Transport Alert Device

Sensors on the basement guarantee the correct closing of the beams and a column switch sensor indicates if the crane is in a folded position, no more than 4 Mt in height. The operator is warned with light and sound signals in the truck cabin.



Radio Remote Control 3.0

Crane stability control system TES1-TES2, with safety control and overload control for medium-small cranes. Controls the crane in 4 work areas, and each zone can have custom lifting settings depending on the vehicle stability.



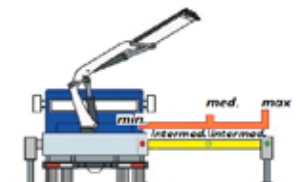
Crane Monitoring System 2.0

Crane stability control system TES2-TES3 with safety and overload controls and HPVE lifting speed management. Active control on 4-8 working areas according to the model and vehicle stability requirements.



Truck Electronic Stability 3.0

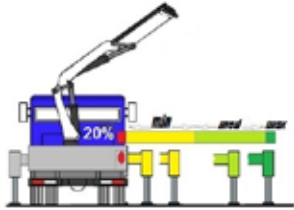
Active stability control for performance optimization according to the type of stabilization (2) to guarantee maximum safety in all working conditions. Mandatory in the CE market, it helps a better vehicle-crane configuration.





Negative Control System

Active stability control for performance optimization according to the type of stabilization to guarantee maximum safety in all working conditions. Mandatory in the CE market, it helps a better vehicle-crane configuration.



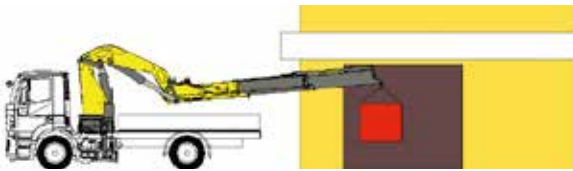
Constant Control Link

The cranes equipped with connecting rods on the articulations, with a constant lifting moment over the entire working arc, allow to 100% optimize the crane's capacity in positions close to the maximum vertical.



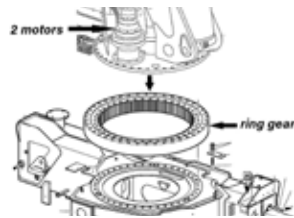
Negative Boom System

The linkage on the articulation of the secondary boom permits the introduction of loads within restricted spaces. It enables the recovery of the deflection of the extension boom group due to the weight and the load raised on the extensions.



Rotation Endless System 2.0

Rotating system with bearing and double gearbox, equipped with clearance adjusting system with eccentric shaft. It provides the perfect transmission of the rotation with the bearing.



Radio Remote Control 3.0

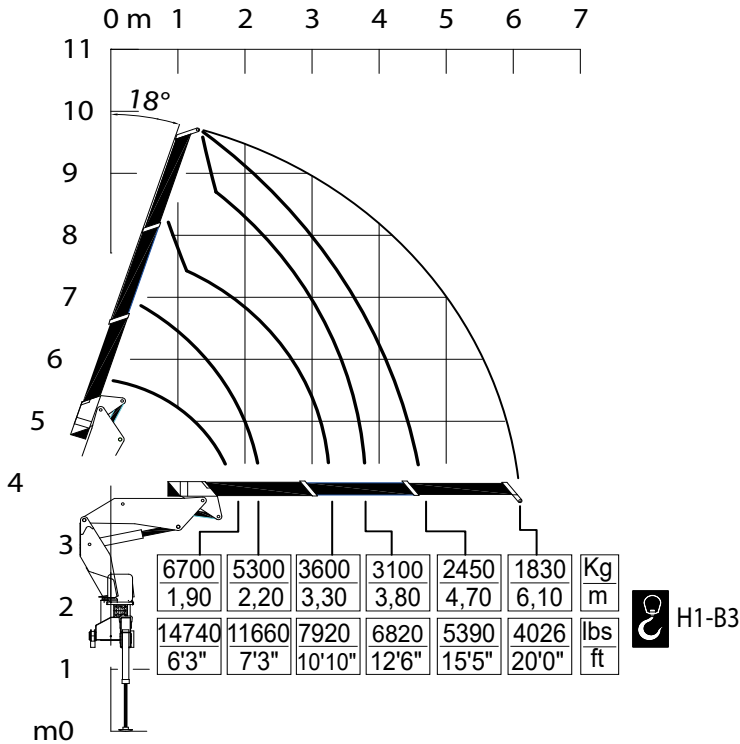
Radio control with directly flanged actuation electronics with proportional distribution. The remote control allows operating the crane while constantly monitoring the areas of operation.



SPE 130

Load Charts

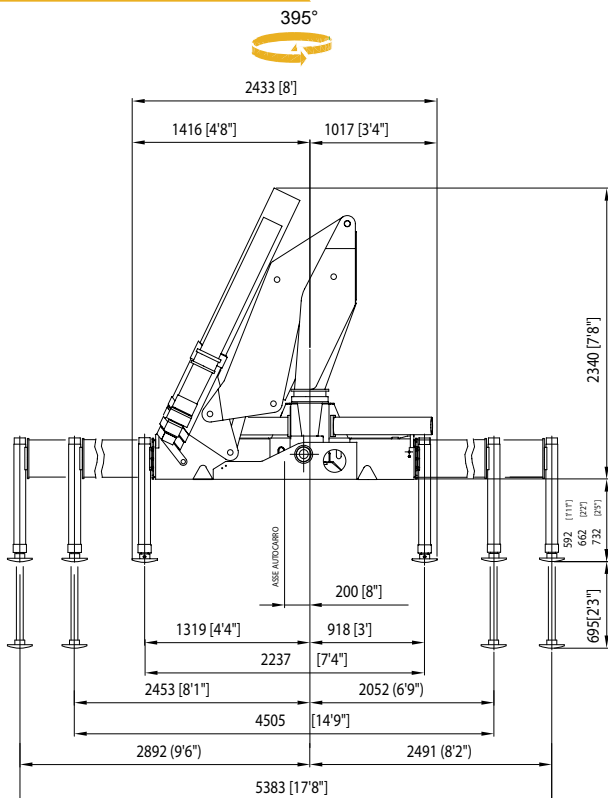
3 extensions



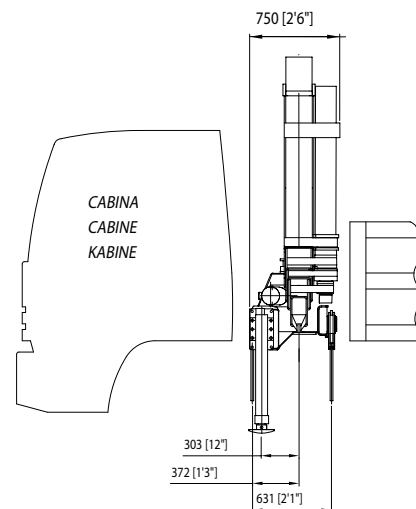
H1-B3

Crane Dimensions

rear truck





















back cabin left



SPE 130

Technical Data

summarized data

									
	kN.m	bar	l/min	kg	°	mm	mm	mm	mm
SPE 130.3	127,3	290	35	1950	395	2433	698	2340	4505/5383
									
	lbs	psi	gal/min	lbs	°	ft/inc	ft/inc	ft/inc	ft/inc
SPE 130.3	92096	4200	9.2	4145	395	7'12"	2'3"	7'8"	14'9"/17'8"

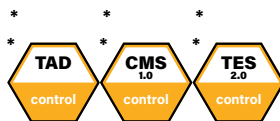
technical data

Max. lifting moment	127,3 kNm	92096 ft.lbs
Max. hydraulic outreach	6,10 m	20' 0"
Slewing angle	395°	395°
Slewing torque	3322 kNm	24033 ft.lbs
Stabilizer spread	4,50/5,38 mt	14'9"/17'8"
Fitting space required (min./max)	750 cm/850 cm	24'7"/27'11"
Width folded	2,43 m	7'12"
Max. operating pressure	290 bar	4200 psi
Recommended pump capacity	35 l/min	9,2 US gal./min
Dead weight	1950 kg	4145 lbs

Technical Features

standard

• control



• structure



optional

• control



• easy use



* Version

Special SPE Work Position



* Note:
Technical features are not binding. The company reserves itself the right to any modification without notice





**DESIGNED
WITH UNIQUE
FEATURES ON
THE MARKET**





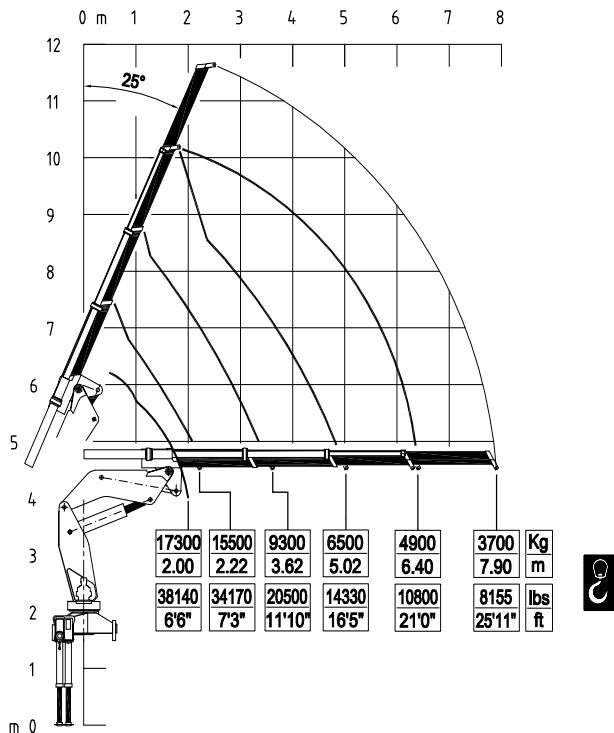
**DESIGNED
FOR FLEXIBLE
SERVICES**



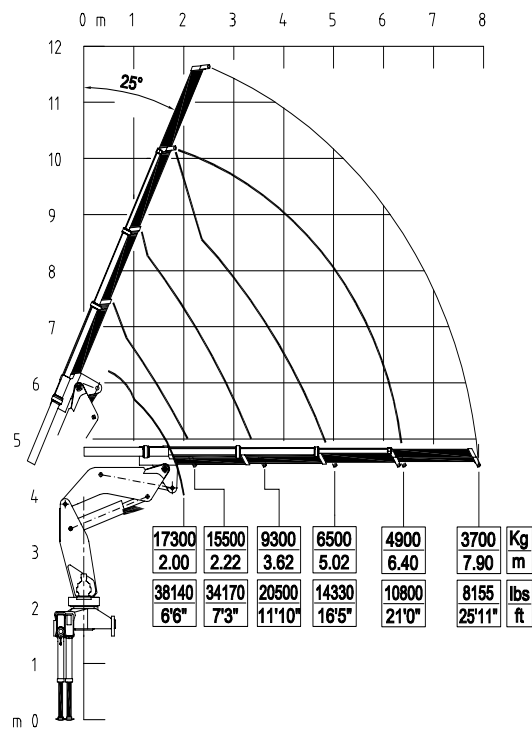
SPE 350

Load Charts

3 extensions

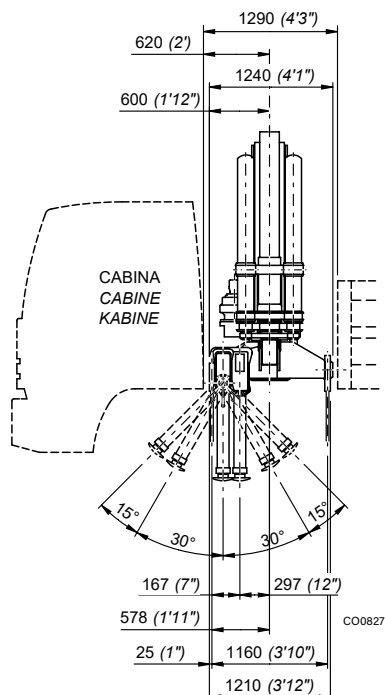


4 extensions

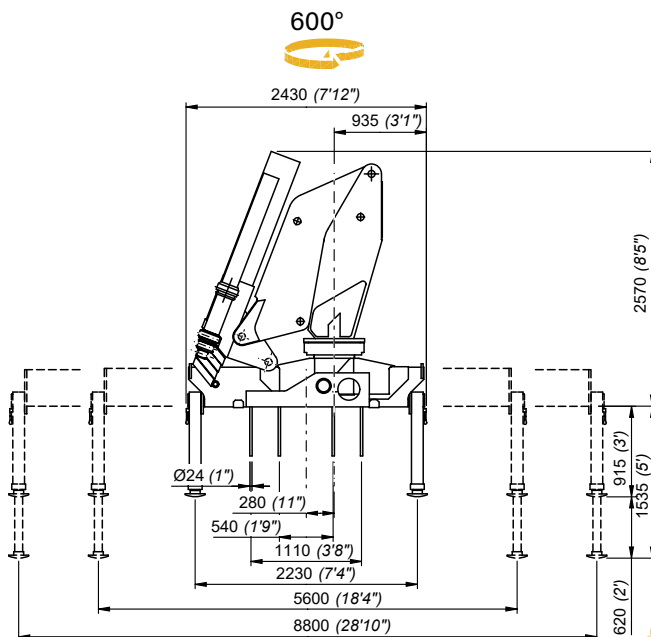


Crane Dimensions

back cabin left



rear truck



*Technical features are not binding. The company reserves itself the right to any modification without notice

SPE 350

Technical Data

summarized data

	kN.m	bar	l/min	kg	°	mm	mm	mm	mm
SPE 350.3	343,5	320	60	4100	600 *	2430	1290	2570	5600-8800
SPE 350.4	339,5	320	60	4170	600 *	2430	1290	2570	5600-8800

	lbs	psi	gal/min	lbs	°	ft/inc	ft/inc	ft/inc	ft/inc
SPE 350.3	248450	4640	15,8	9040	600 *	7'12"	4'1"	8'5"	18'4"-28'10"
SPE 350.4	245560	4640	15,8	9190	600 *	7'12"	4'1"	8'5"	18'4"-28'10"

*OPT.∞ rotation with Column mounted controls instead of controls on the base

technical data

Max. lifting moment	343,5 kNm	248450 ft.lbs
Max. hydraulic outreach	6,3 m	20'8"
Slewing angle	∞*	∞*
Slewing torque	4500 kNm	32550 ft.lbs
Stabilizer spread	5,60/8.80 mt	18'4"/28'11"
Fitting space required (min./max)	1,41 m	4'7"
Width folded	2,55 m	8'5"
Max. operating pressure	320 bar	4640 psi
Recommended pump capacity	60 l/min	15,8 US gal./min
Dead weight (vers. 4)	4170 kg	9190 lbs

Technical Features

standard

- easy use



- control



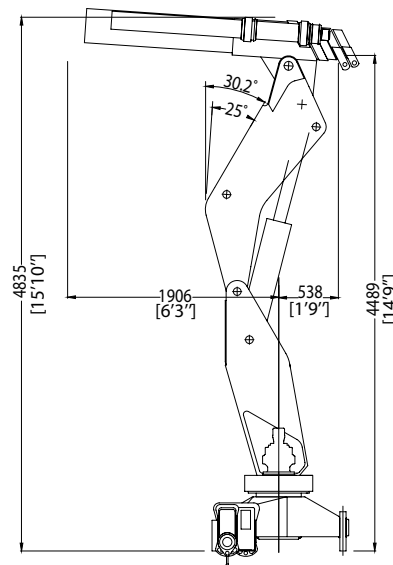
optional

- control



*CE version
Slewing system with motor, pinion and gear

Special SPE Work Position



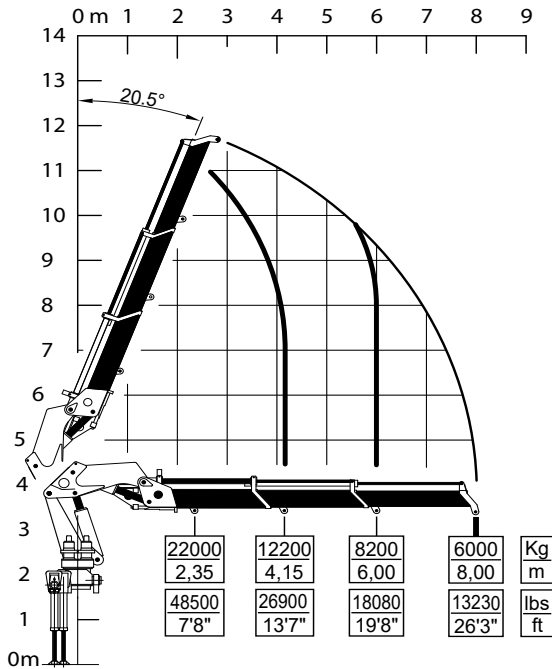
*Technical features are not binding. The company reserves itself the right to any modification without notice



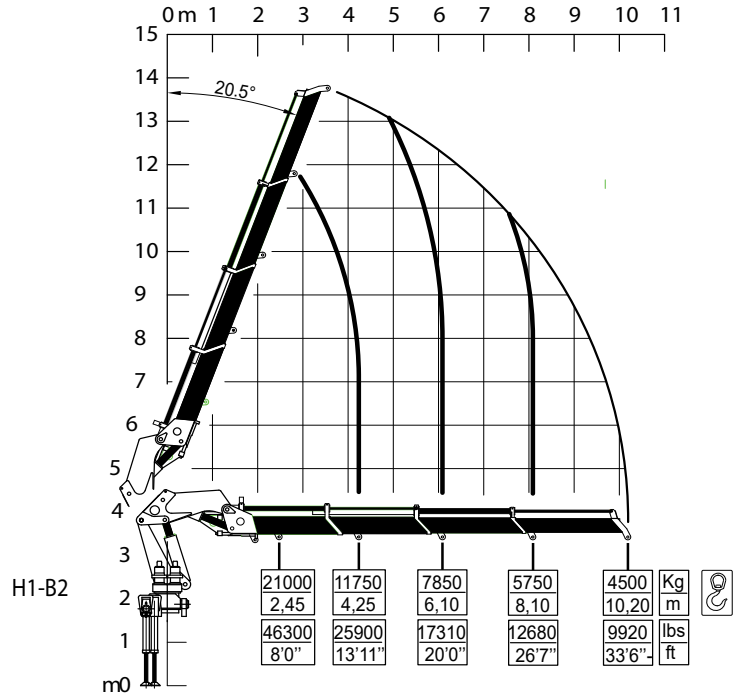
SPE 560

Load Charts

3 extensions

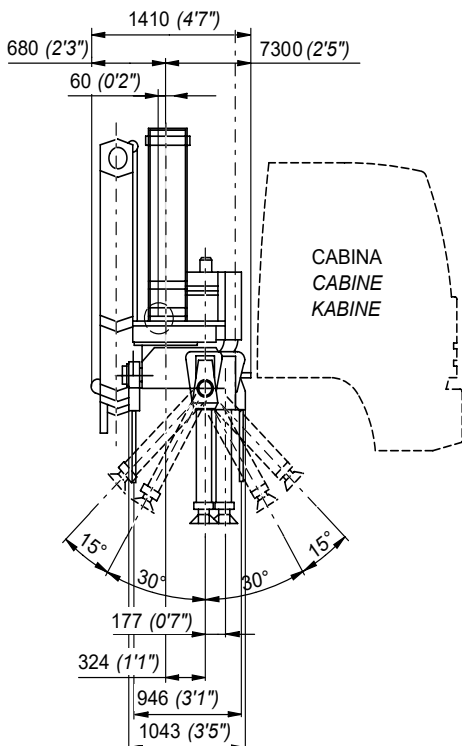


4 extensions

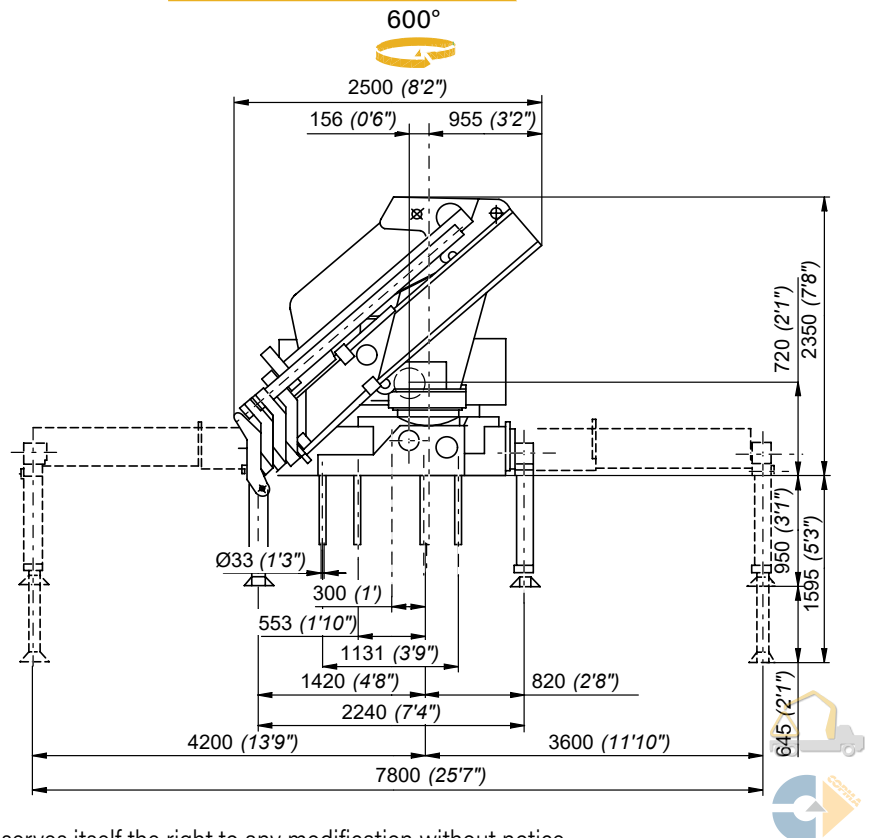


Crane Dimensions

back cabin left



rear truck



*Technical features are not binding. The company reserves itself the right to any modification without notice

SPE 560

Technical Data

summarized data

	kN.m	bar	l/min	kg	°	mm	mm	mm	mm
SPE 560.3	507	315	80	5230	600° *	2500	1410	2350	7800
SPE 560.4	504	315	80	5520	600° *	2500	1410	2350	7800

	lbs	psi	gal/min	lbs	°	ft/inc	ft/inc	ft/inc	ft/inc
SPE 560.3	366713	4567	21	11530	600° *	8'2"	4'7"	7'8"	25'7"
SPE 560.4	364543	4567	21	12169	600° *	8'2"	4'7"	7'8"	25'7"

technical data

Max. lifting moment	507 kNm	364543 ft.lbs
Max. hydraulic outreach	10,20 m	33'5"
Slewing angle	∞*	∞*
Slewing torque	11588 daNm	83816 lbs.ft
Stabilizer spread	7800 mt	25'7"
Fitting space required (min./max)	1,51 m	4'11"
Width folded	2,50 m	8'2"
Max. operating pressure	315 bar	4567 psi
Recommended pump capacity	80 l/min	21 US gal./min
Dead weight (vers. 4)	5520 kg	121690 lbs

Technical Features

standard

- easy use



- control



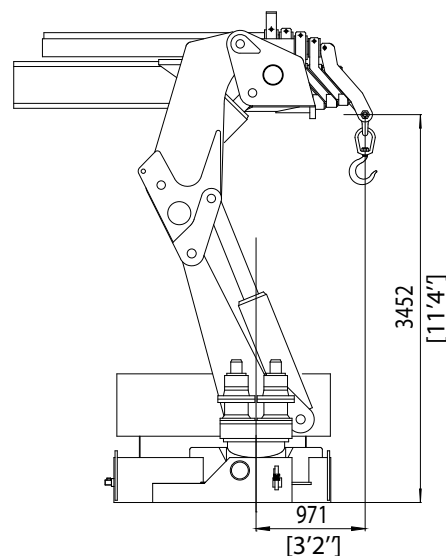
optional

- control



*CE version
Slewing system with motor, pinion and gear

Special SPE Work Position



*Technical features are not binding. The company reserves itself the right to any modification without notice



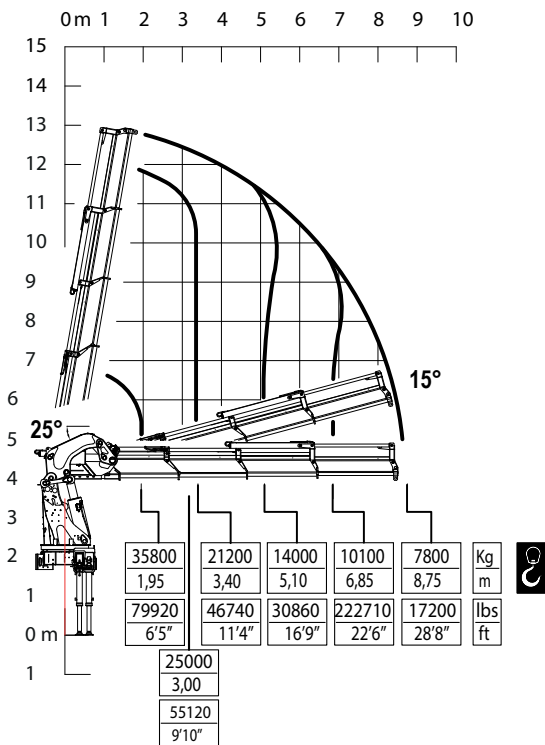


**SUPERIOR
RELIABILITY
FOR EVERY
OPERATOR**

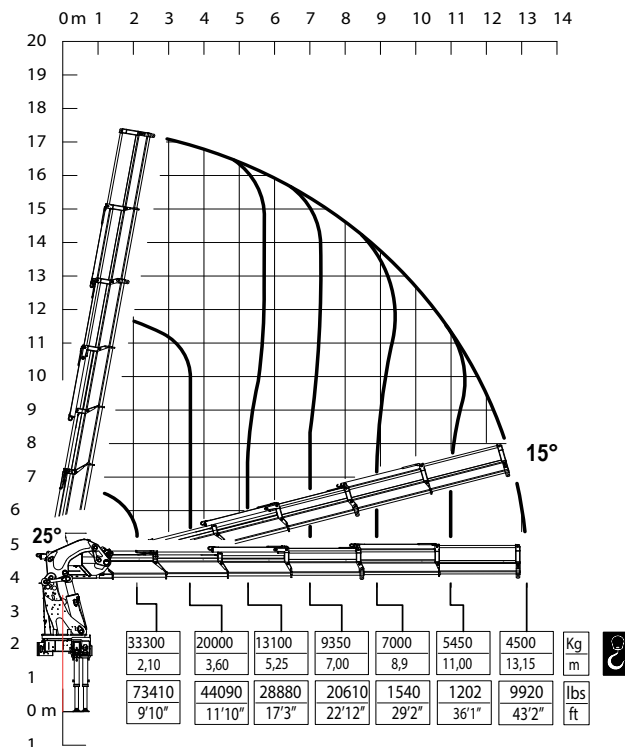
SPE 900

Load Charts

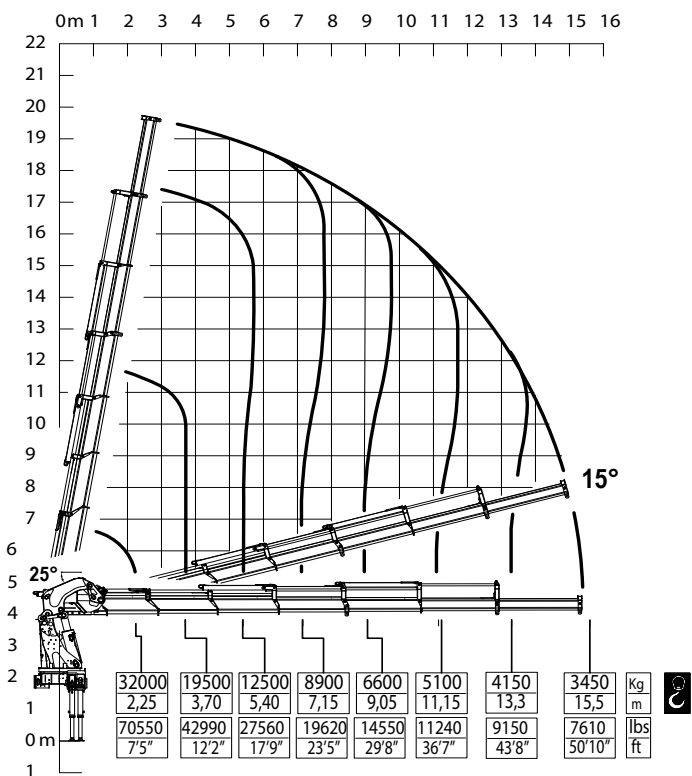
4 extensions



6 extensions



7 extensions



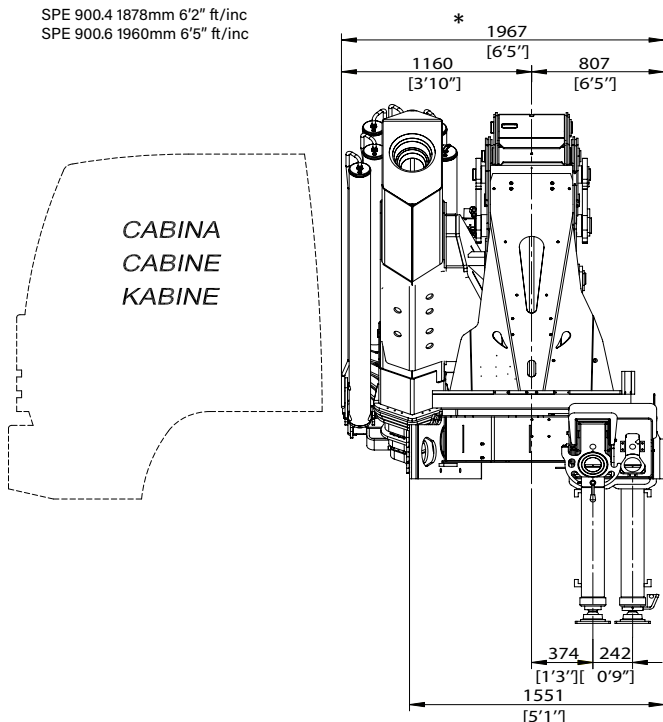
*Technical features are not binding. The company reserves itself the right to any modification without notice



Crane Dimensions

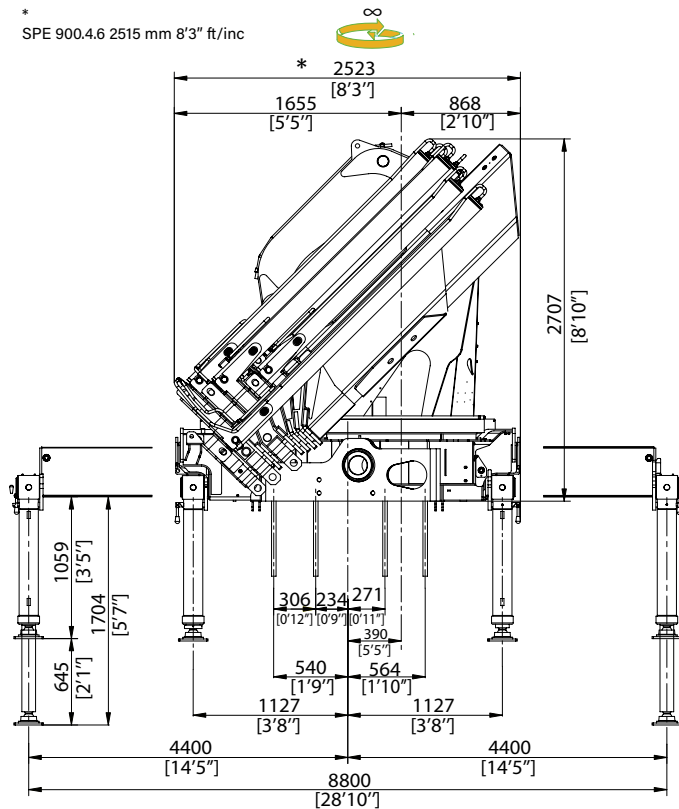
back cabin

*
SPE 900.4 1878mm 6'2" ft/inc
SPE 900.6 1960mm 6'5" ft/inc

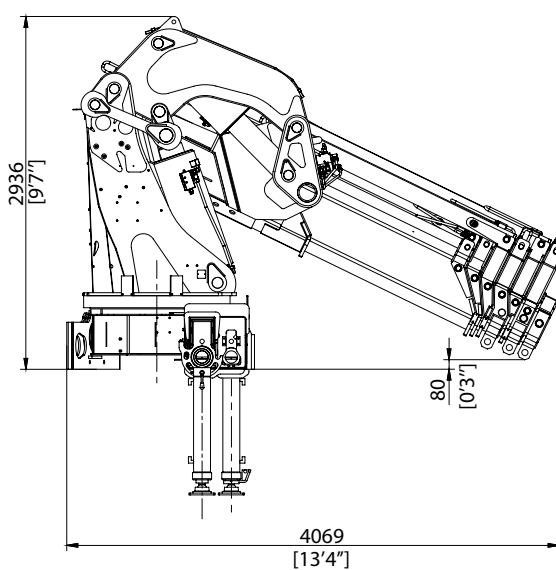
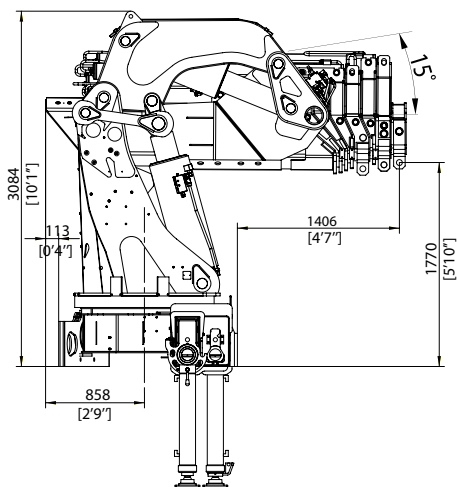


rear truck

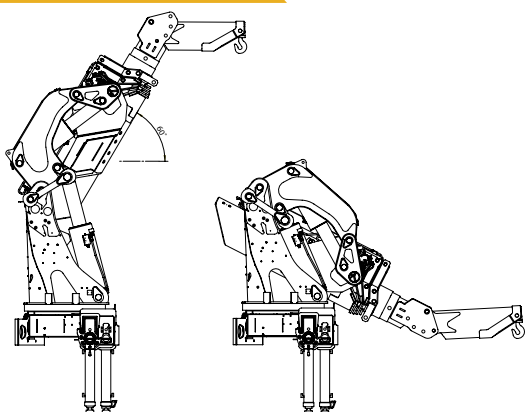
*
SPE 900.4.6 2515 mm 8'3" ft/inc



operational



Special mechanical extention



Note: only for version .4

SPE 900

Technical Data

summarized data

	kN.m	bar	l/min	kg	°	mm	mm	mm	mm	mm	
SPE 900.4	707	320	80	7880	∞	2517	1874	2700	8000		
SPE 900.6	706,5	320	80	8100	∞	2517	1960	2707	8000		
SPE 900.7	706	320	80	8400	∞	2523	1967	2707	8000		

	lbs	psi	gal/min	lbs	°	ft/inc	ft/inc	ft/inc	ft/inc		
SPE 900.4	521456	4640	21,1	17370	∞	8'3"	6'2"	8'10"	26'3"		
SPE 900.6	521088	4640	21,1	17860	∞	8'3"	6'5"	8'10"	26'3"		
SPE 900.7	521456	4640	21,1	18520	∞	8'3"	6'6"	8'11"	26'3"		

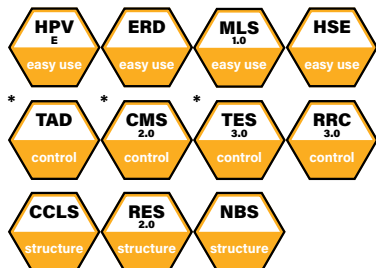
technical data

Max. lifting moment	707 kNm	521456 ft.lbs
Max. hydraulic outreach	8,75 m	28' 8"
Slewing angle	∞	∞
Slewing torque	7200 daNm	52078 lbs.ft
Stabilizer spread	8,80 mt	28'10"
Fitting space required (min./max)	1,97m	6'6"
Width folded	2,52 m	8'3"
Max. operating pressure	320 bar	4640 psi
Recommended pump capacity	80 l/min	21 US gal./min
Dead weight (vers. 4)	7880 kg	17370 lbs

Technical Features

standard

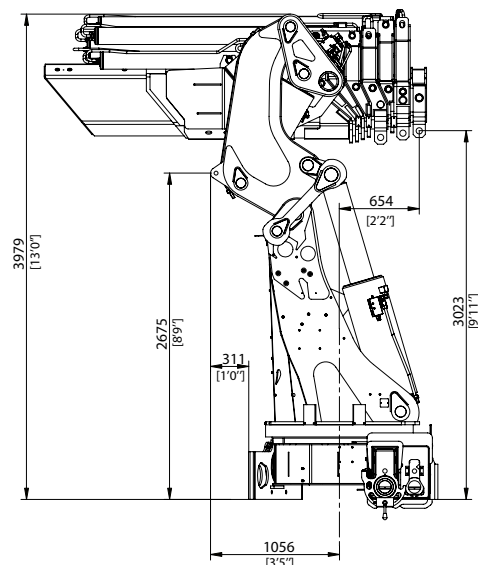
- easy use
- control
- structure



*CE version

* Version CE

Special SPE Work Position



*Technical features are not binding. The company reserves itself the right to any modification without notice





SPE900

PORTA TRASPORTI



GET READY TO A
BETTER LIFTING
EXPERIENCE



COPMA SPE MODELS



knuckle
boom
cranes



Powerful Synergies



CPS



**CPS
STEEL**

CPS GROUP S.P.A.

281 Via Emilia, Castel Bolognese (RA), 48014
Italy

T +39 0546 653 711

sales.cpsgroup@cps-group.com

service.cpsgroup@cps-group.com

cps-group.com



COPMA SPE MODELS TOP RANGE 7-2020 all rights reserved CPS GROUP

