



Powerful Synergies



cps-group.com



CORMA

T MODE68

0249



ГКУ «АМПП»

+7 495 539 54 54

ра

ESSENTIAL MODELS

T MODELS

Performance & Power

T CRANES HAS THE HIGHEST LIFTING RANGE AND TOP POWER-WEIGHT RATIO COMBINING ADVANCED TECHNOLOGY FEATURES FOR MORE PERFORMANCE.

- **T cranes models, have load category -from 2 to 15 Ton/Mt**
- **Essential in design, powerful in performance**
- **Robust arm system**
- **Simple and reliable**
- **Excellent operational safety**





THE MOST POWERFUL CRANE FOR THE TOUGHEST MARKETS



T MODELS

More Safety & Security

**DESIGNED WITH SIMPLE,
EFFICIENT HYDRAULIC
CIRCUITS, HIGH STRUCTURAL
STOUTNESS AND HIGH LOAD
CAPACITY**

- **Optimized and reliable hydraulic technology**
- **Column with high mechanical characteristics**
- **High Degree of User Friendliness**
- **Efficiency and Reliability thanks to essential design**
- **Excellent weight/performance ratio**





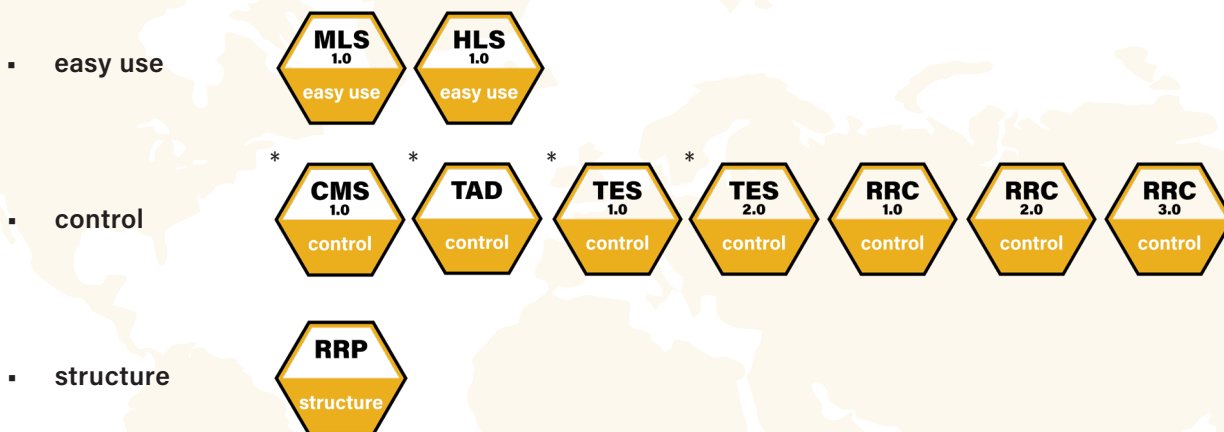
DESIGNED FOR FLEXIBLE SERVICES

T MODELS

Technical Features

**CUTTING EDGE FEATURES
FOR MAXIMUM LIFTING
POWER, STABILITY AND
OPERATIONAL SAFETY IN EVERY
WORKING CONDITION.**

All features

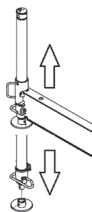


*CE version



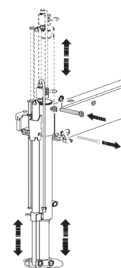
MLS 1.0
easy use
Manual Lifting Stabilizers 1.0

Manual lifting of the crane legs.
The manual lifting of the legs helps the operator adjust its extension manually without additional assistance from electronics or hydraulic controls.



HLS 1.0
easy use
Hydraulic Lifting Stabilizers 1.0

Simplified vertical hydraulic lifting system: no auxiliary hydraulic devices are supplied. The stabilizer cylinder lifts up thanks to the presence of a sliding rod equipped with a braking pad which allows the stabilizer cylinder to slide vertically inside the bushing attached to the stabilizing



CMS 1.0
control
Crane Monitoring System 1.0

Crane stability control system TES1-TES2, with safety control and overload control for medium-small cranes. Controls the crane in 4 work areas, and each zone can have custom lifting settings depending on the vehicle stability.



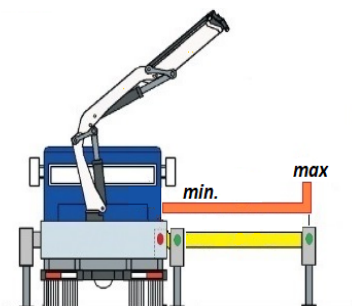
TAD
control
Transport Alert Device

Sensors on the basement control the correct closing of the beams and a column switch sensor indicates if the crane is in a folded position, no more than 4 Mt in height. The operator is warned with light and sound signals in the truck cabin.



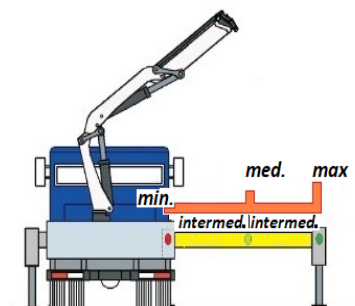
TES 1.0
control
Truck Electronic Stability 1.0

Active stability control for performance optimization according to the type of stabilization (1) to guarantee maximum safety in all working conditions. Mandatory in the CE market, it helps a better vehicle-crane configuration.



TES 2.0
control
Truck Electronic Stability 2.0

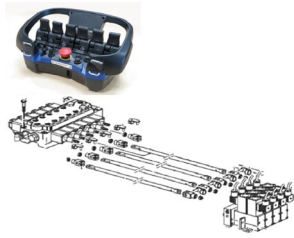
Active stability control for performance optimization according to the type of stabilization (2) to guarantee maximum safety in all working conditions. Mandatory in the CE market, it helps a better vehicle-crane configuration.





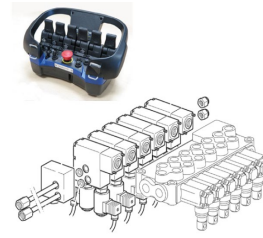
Radio Remote Control 1.0

Radio remote control with actuation electronics directly connected with the standard distribution. The remote control allows operating the crane while continually monitoring the areas of operation.



Radio Remote Control 2.0

The rotation system with rack and pinion is the best optimal solution for the most performative lifting capacity, it reduce the weights and crane dimension for the most compact configuration.



Radio Remote Control 3.0

Radio control with directly flanged actuation electronics with proportional distribution. The remote control allows operating the crane while constantly monitoring the areas of operation.



Rotation Rack Pinion

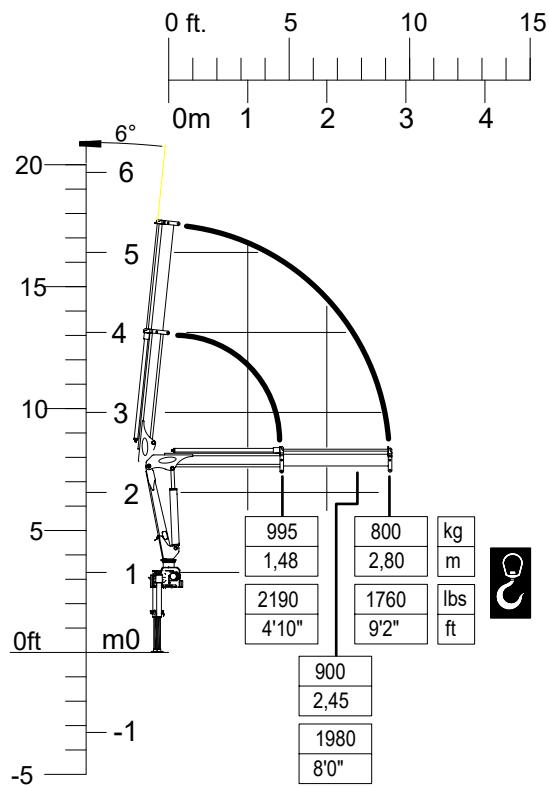
Radio remote control with the electro-hydraulic actuator connected directly to the standard control valve. The remote control allows operating the crane while continually monitoring the areas of operation.



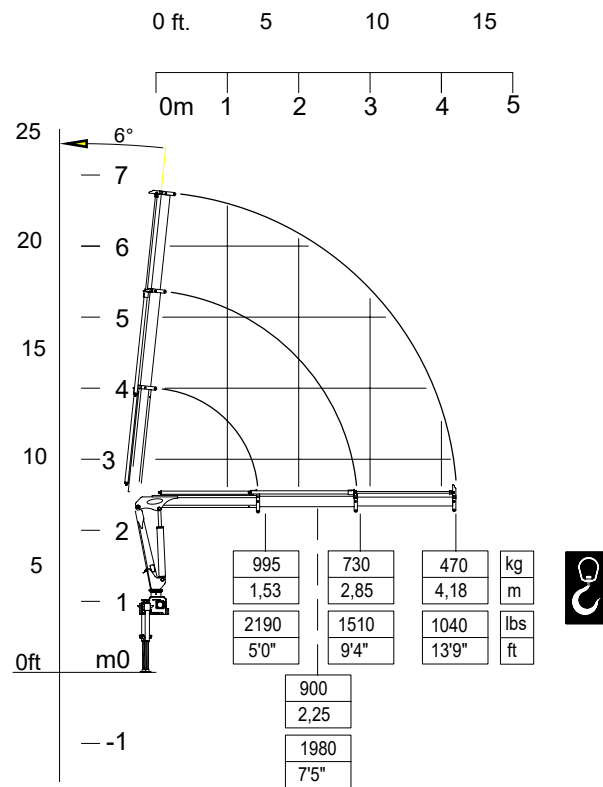
24T ESSENTIAL

Load Charts

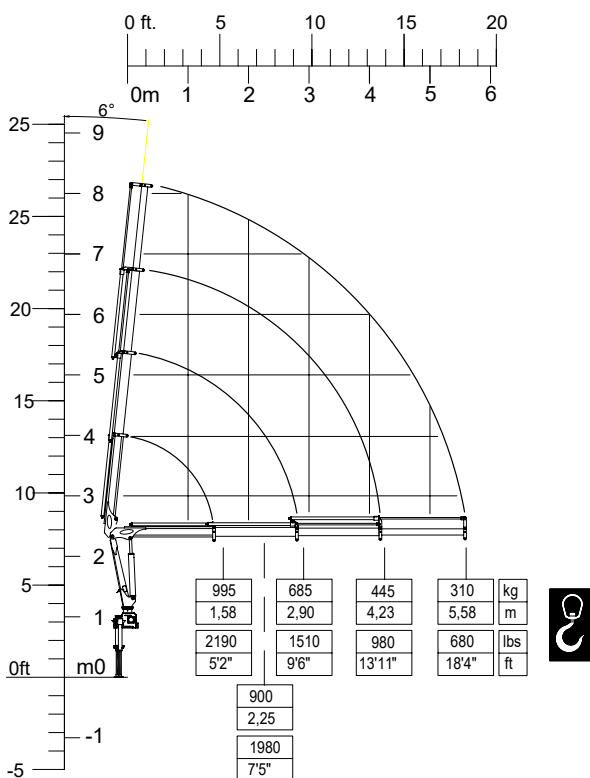
1 extensions



2 extensions



3 extensions



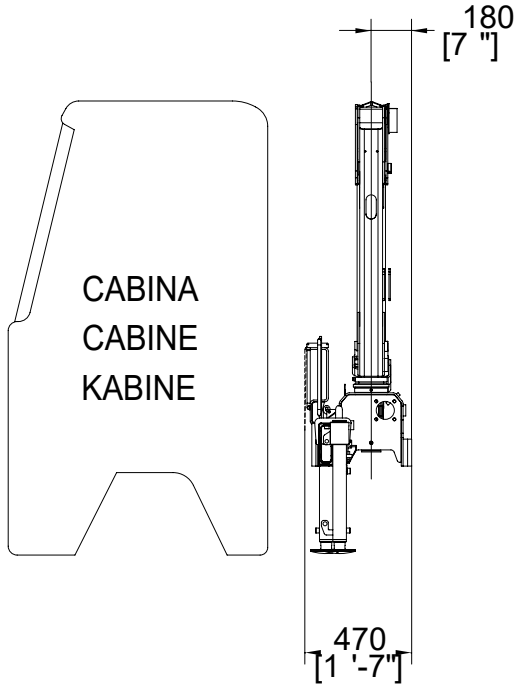
* Note:
Technical features are not binding.
The company reserves itself the right to any modification without notice



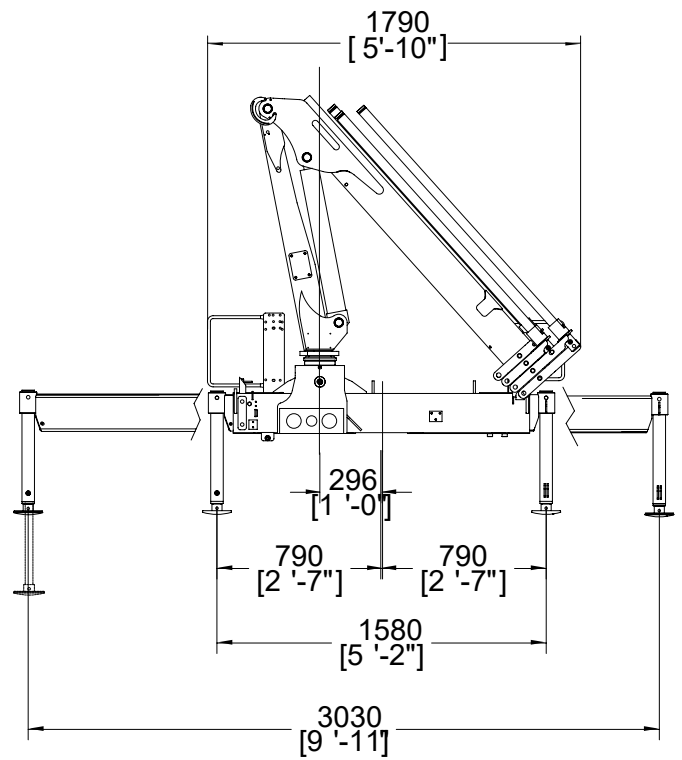
24T ESSENTIAL

Crane Dimensions

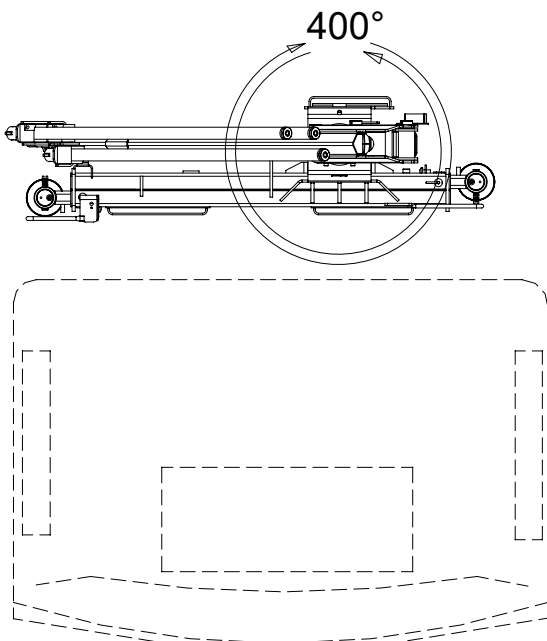
back cabin left



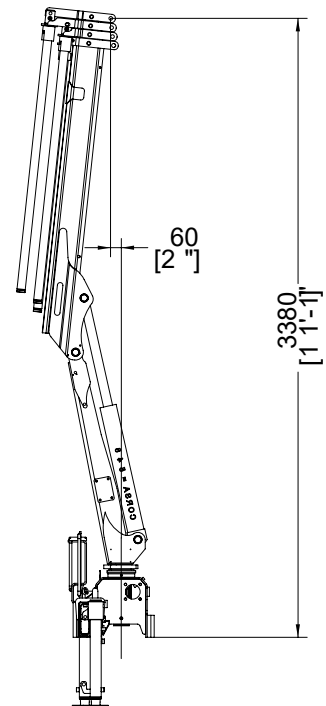
rear truck

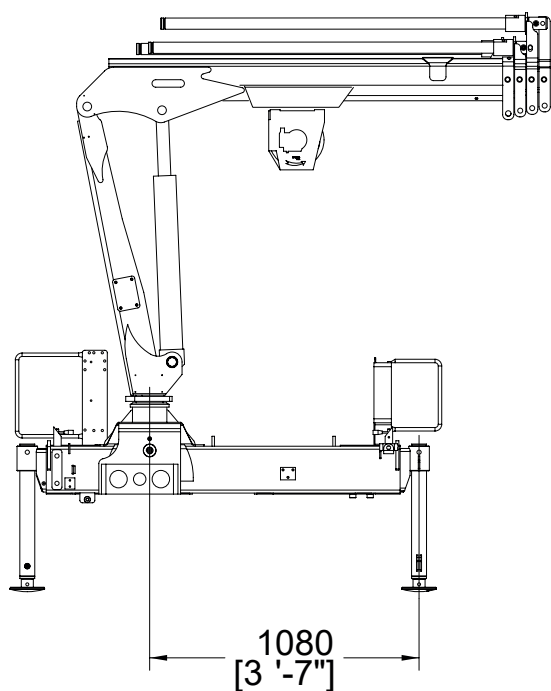
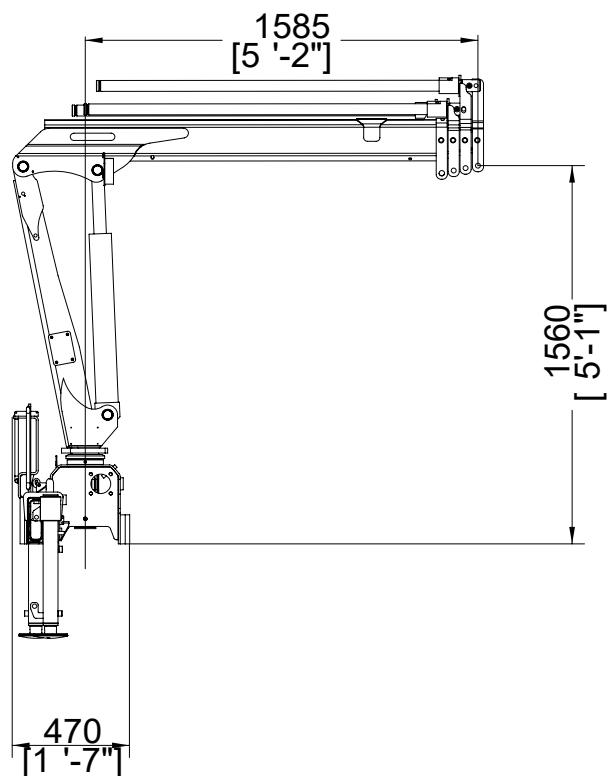


top cabin



operational














* Note:
Technical features are not binding.
The company reserves itself the right to any modification without notice












24T ESSENTIAL

Technical Data

summarized data

	 kN.m	 bar	 l/min	 kg	 °	 mm	 mm	 mm	 mm
24T.1	21,64	170	9	325	400	1711	450	1605	2600
24T.2	20,1	170	9	365	400	1711	450	1605	2600
24T.3	19,8	170	9	395	400	1711	450	1605	2600

	 lbs.ft	 psi	 gal/min	 lbs	 °	 ft/inc	 ft/inc	 ft/inc	 ft/inc
24T.1	15652	2465	2,4	715	400	5' 7"	1'6"	5'3"	8'6"
24T.2	14538	2465	2,4	803	400	5' 7"	1'6"	5'3"	8'6"
24T.3	14321	2465	2,4	869	400	5' 7"	1'6"	5'3"	8'6"

technical data

Max. lifting moment	21,64 kNm	15652 ft.lbs
Max. hydraulic outreach	5.58 m	18'4"
Slewing angle	400°	400°
Slewing torque	600 daNm	4339 ft.lbs
Stabilizer spread	3.50/4.50 mt	11'6"/15'1"
Fitting space required (min./max)	0.47 m	1'7"
Width folded	1.79 m	5'10"
Max. operating pressure	170 bar	2465 psi
Recommended pump capacity	9 l/min	2,4 US gal./min
Dead weight (vers .1)	325 kg	869 lbs

Technical Features

standard

- easy use



- control



- structure



optional

- control



*CE version

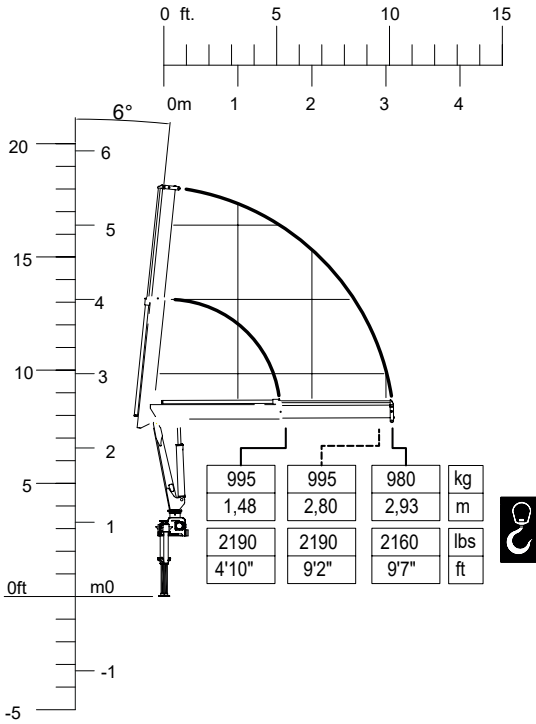
* Technical features are not binding. The company reserves itself the right to any modification without notice



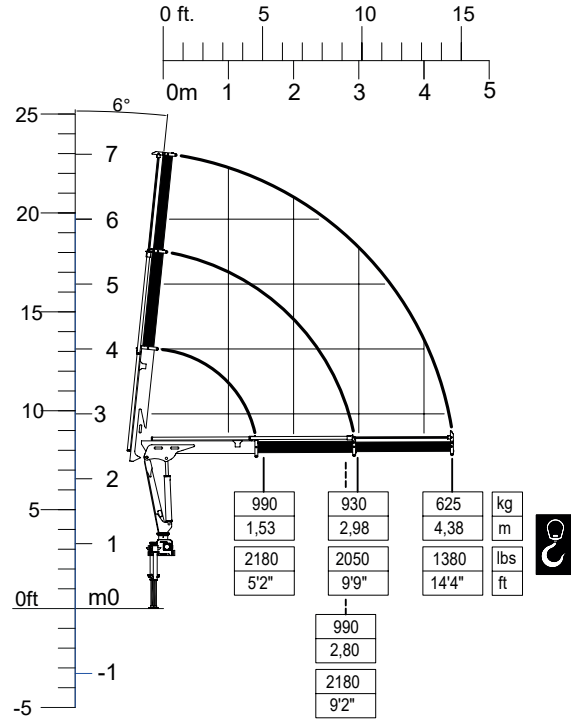
28T ESSENTIAL

Load Charts

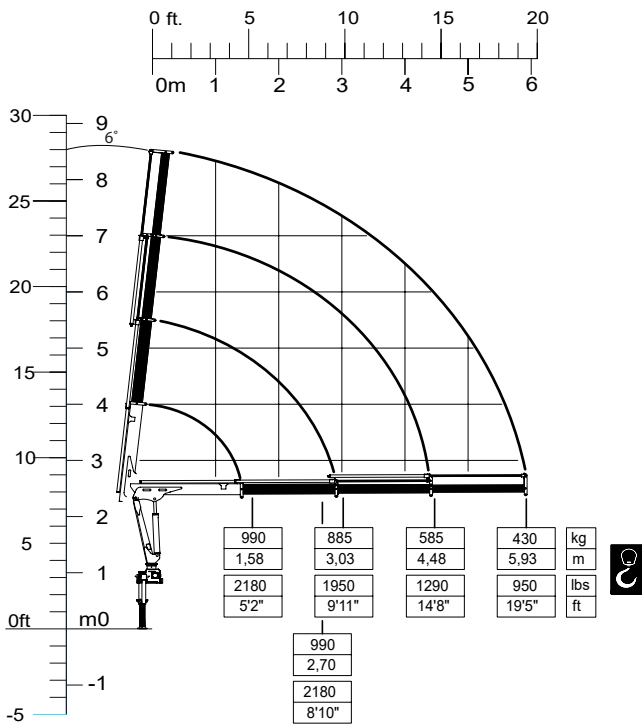
1 extensions



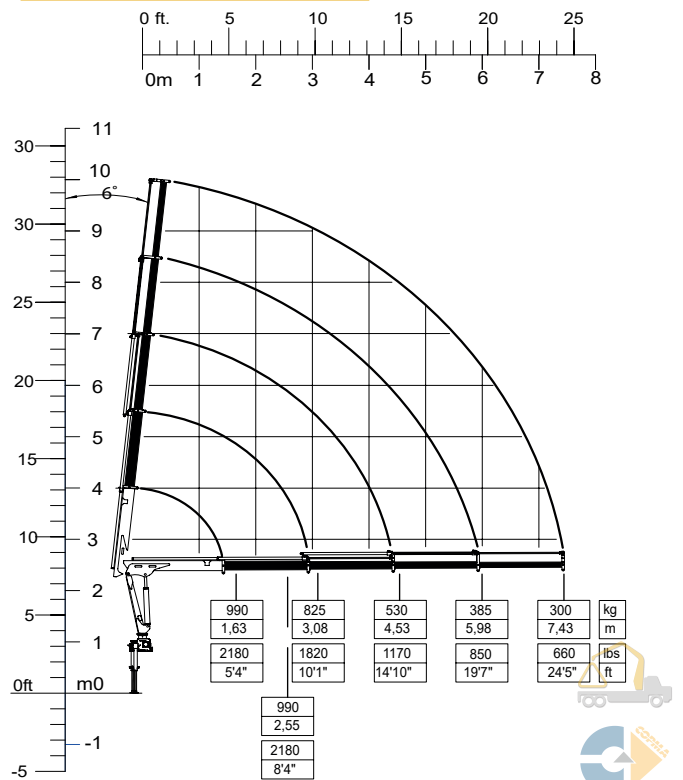
2 extensions



3 extensions



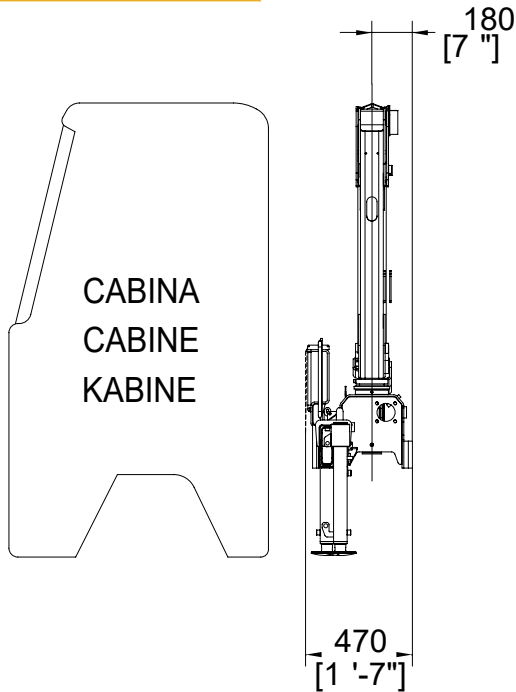
4 extensions



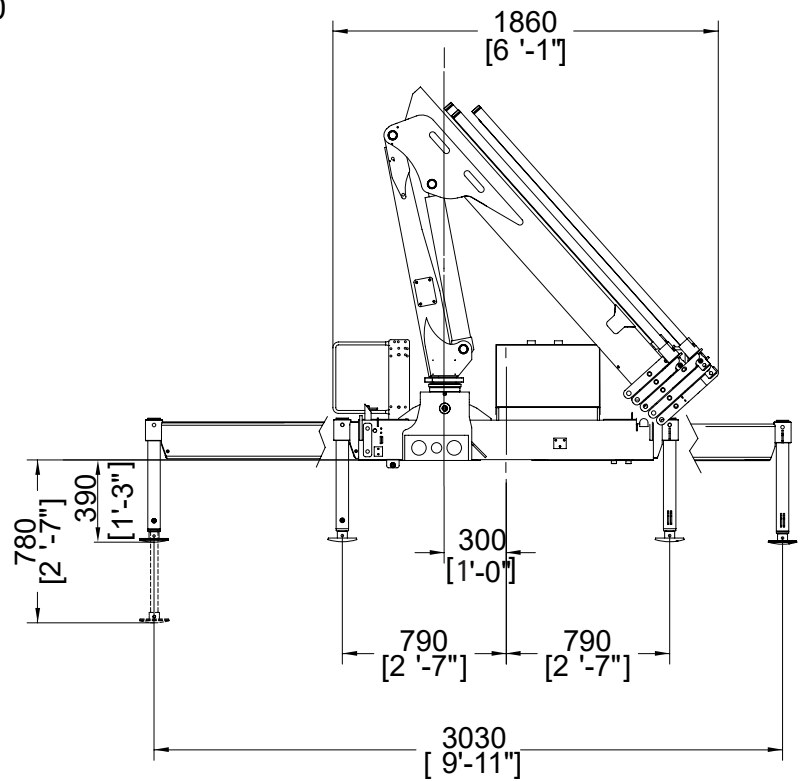
28T ESSENTIAL

Crane Dimensions

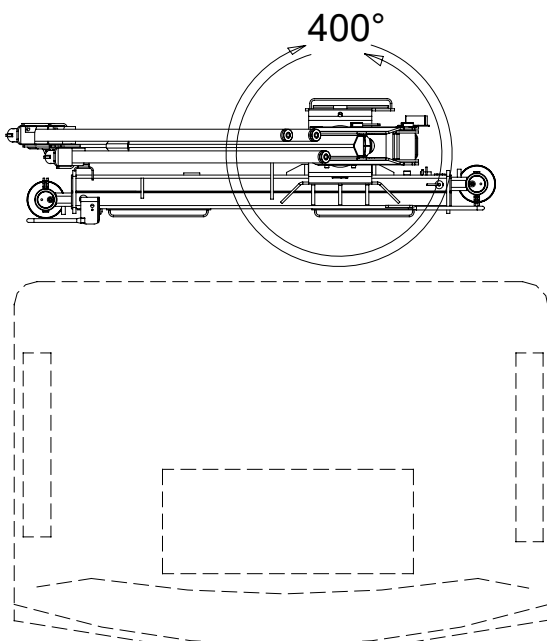
back cabin left



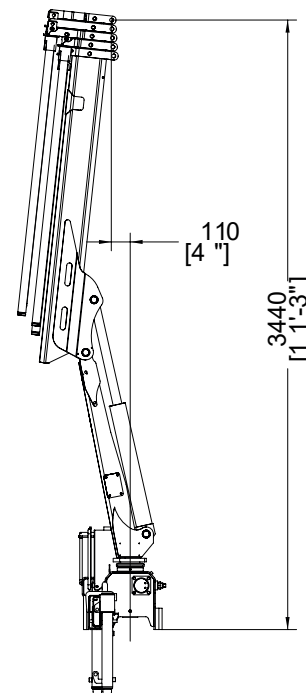
rear truck



top cabin



operational



28T ESSENTIAL

Technical Data

summarized data

	kN.m	bar	l/min	kg	°	mm	mm	mm	mm
28T.1	28	245	10	330	400	1711	470	1764	2900
28T.2	27	245	10	370	400	1711	470	1764	2900
28T.3	26	245	10	405	400	1711	450	1764	2900
28T.4	25	245	10	445	400	1711	450	1764	2900

	lbs	psi	gal/min	lbs	°	ft/inc	ft/inc	ft/inc	ft/inc
28T.1	20397	3552	2,6	726	400	7'2"	1'6"	5'9"	9'7"
28T.2	19673	3552	2,6	814	400	7'2"	1'6"	5'9"	9'7"
28T.3	19022	3552	2,6	902	400	7'2"	1'6"	5'9"	9'7"
28T.4	18031	3552	2,6	979	400	7'2"	1'6"	5'9"	9'7"

technical data

Max. lifting moment	28 kNm	20397 ft.lbs
Max. hydraulic outreach	5.58 m	18'4"
Slewing angle	400°	400°
Slewing torque	600 daNm	4339 ft.lbs
Stabilizer spread	3.50/4.50 mt	11'6"/15'1"
Fitting space required (min./max)	0.47 m	1'7"
Width folded	1.86 m	6'1"
Max. operating pressure	245 bar	3552 psi
Recommended pump capacity	10 l/min	2,6 US gal./min
Dead weight (vers .1)	330 kg	979 lbs

Technical Features

standard

- easy use



- control



- structure



optional

- control



* CE version

* Note:
 Technical features are not binding.
 The company reserves itself the right to any modification without notice



Technical Data

summarized data



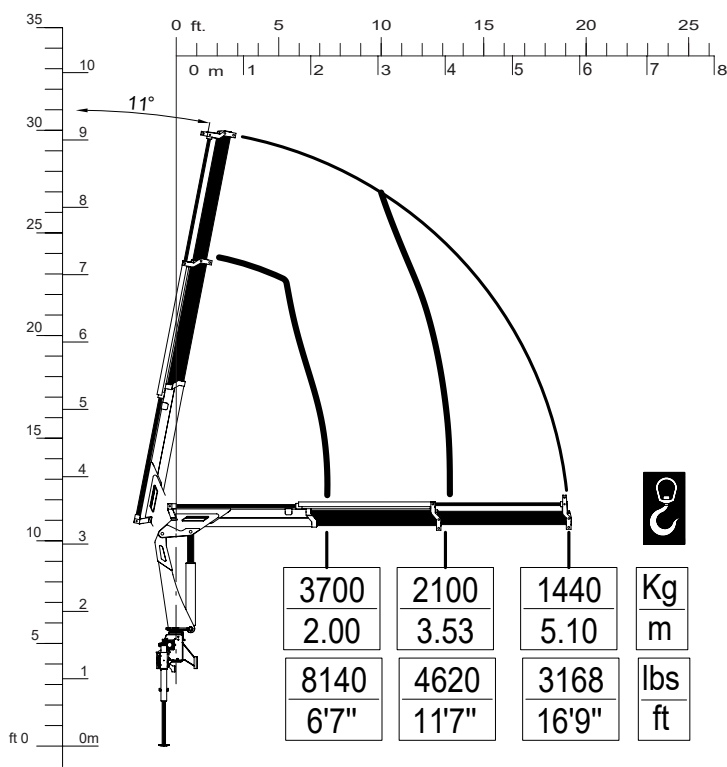
**DESIGNED
FOR FLEXIBLE
SERVICES**



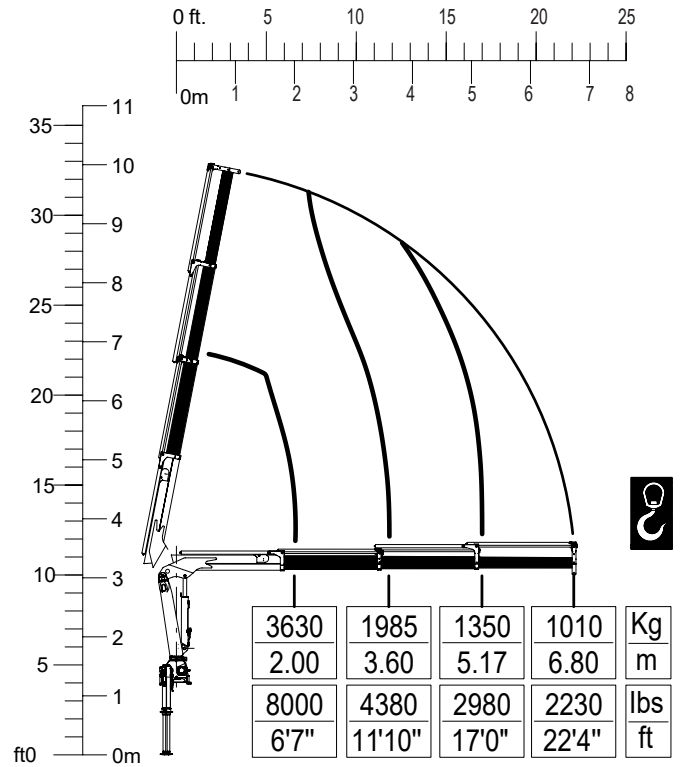
80TN ESSENTIAL

Load Charts

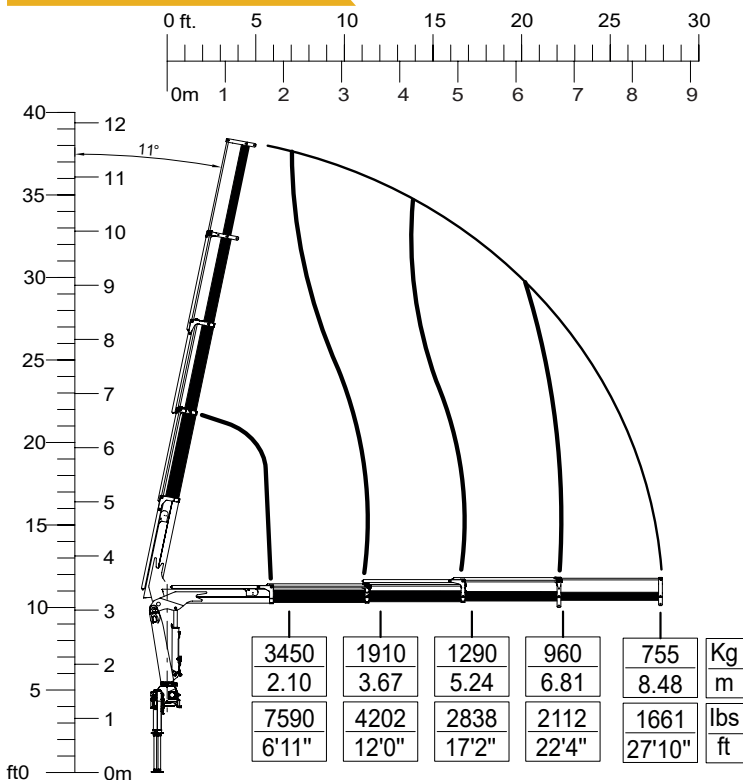
2 extensions



3 extensions



4 extensions



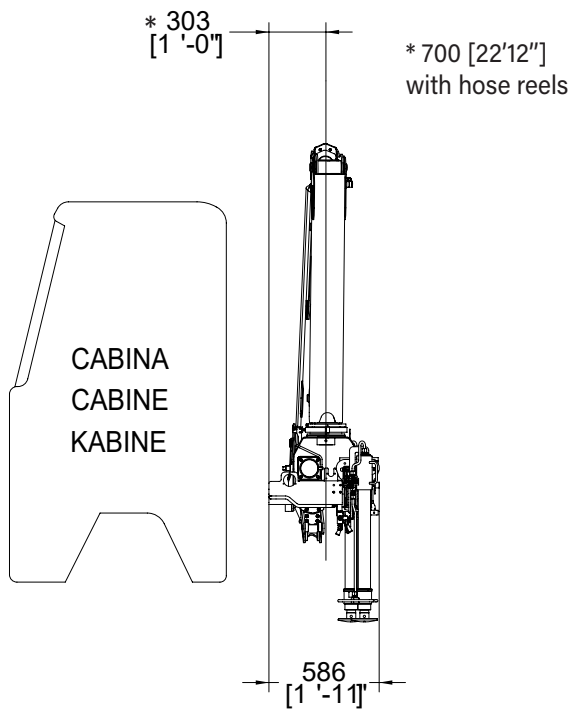
* Note:
 Technical features are not binding.
 The company reserves itself the right to any
 modification without notice



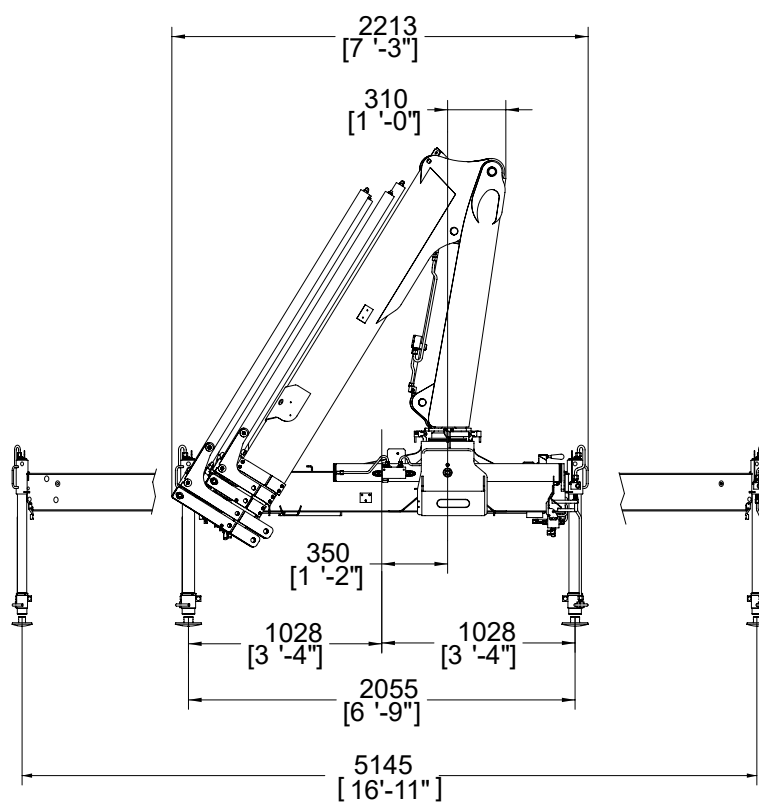
80TN ESSENTIAL

Crane Dimensions

back cabin left



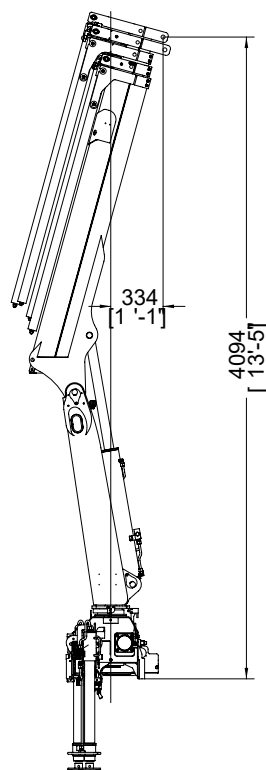
rear truck



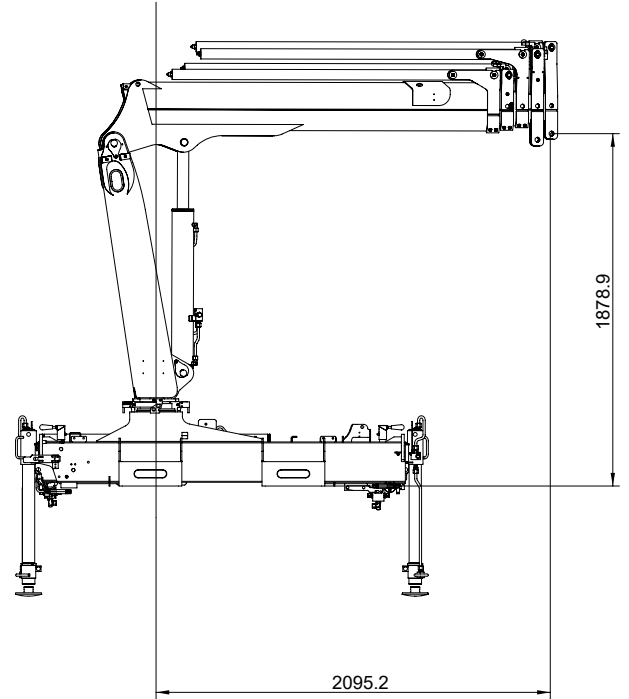
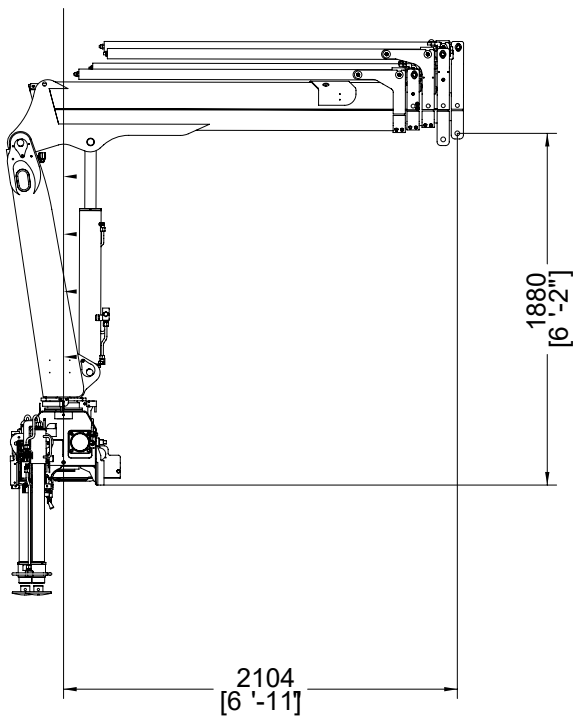
top cabin



operational



operational



* Note:
Technical features are not binding.
The company reserves itself the right to any modification without notice



80TN ESSENTIAL

Technical Data

summarized data

	kN.m	bar	l/min	kg	°	mm	mm	mm	mm
80TN.2	72,6	290	20	950	370	2195	539	1970	4480/5145
80TN.3	71,2	290	20	1003	370	2195	539	1970	4480/5145
80TN.4	70,1	290	20	1020	370	2195	539	1970	4480/5145

	lbs	psi	gal/min	lbs	°	ft/inc	ft/inc	ft/inc	ft/inc
80TN.2	52511	4205	5.26	2090	370	7'2"	1'9"	6'6"	14'8"/16'10"
80TN.3	51948	4205	5.26	2110	370	7'2"	1'9"	6'6"	14'8"/16'10"
80TN.4	51426	4205	5.26	2244	370	7'2"	1'9"	6'6"	14'8"/16'10"

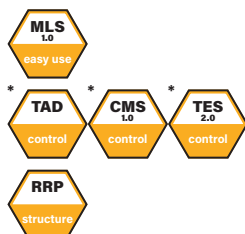
technical data

Max. lifting moment	72,6 kNm	525111 ft.lbs
Max. hydraulic outreach	8.48 m	27'10"
Slewing angle	370°	370°
Slewing torque	900 daNm	6509 lb.ft
Stabilizer spread	3.50/4.50 mt	11'6"/15'1"
Fitting space required (min./max)	0.47 m	1'7"
Width folded	1.86 m	6'1"
Max. operating pressure	245 bar	3552 psi
Recommended pump capacity	10 l/min	2,6 US gal./min
Dead weight (vers .1)	330 kg	979 lbs

Technical Features

standard

- easy use
- control
- structure



optional

- control



*CE version

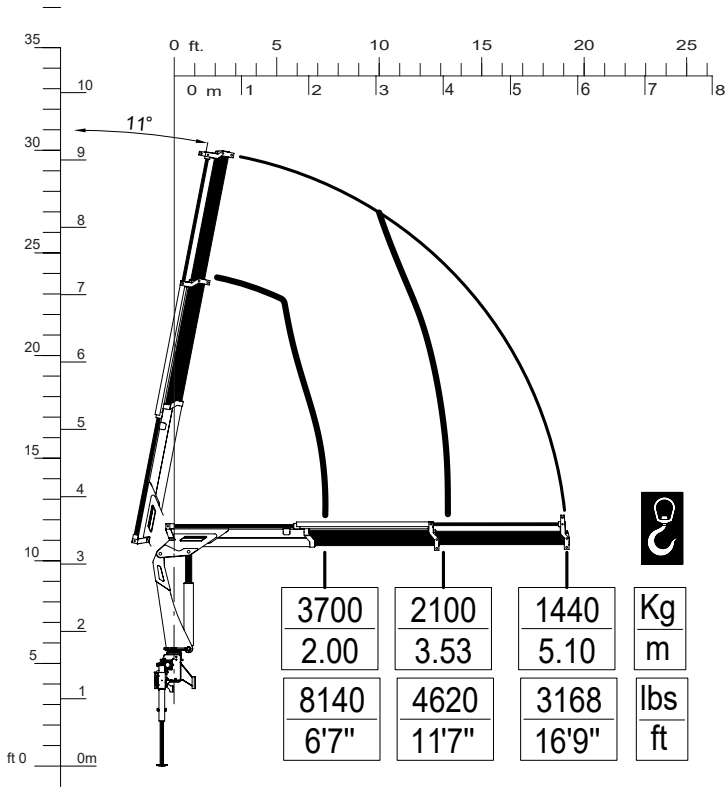
* Technical features are not binding. The company reserves itself the right to any modification without notice



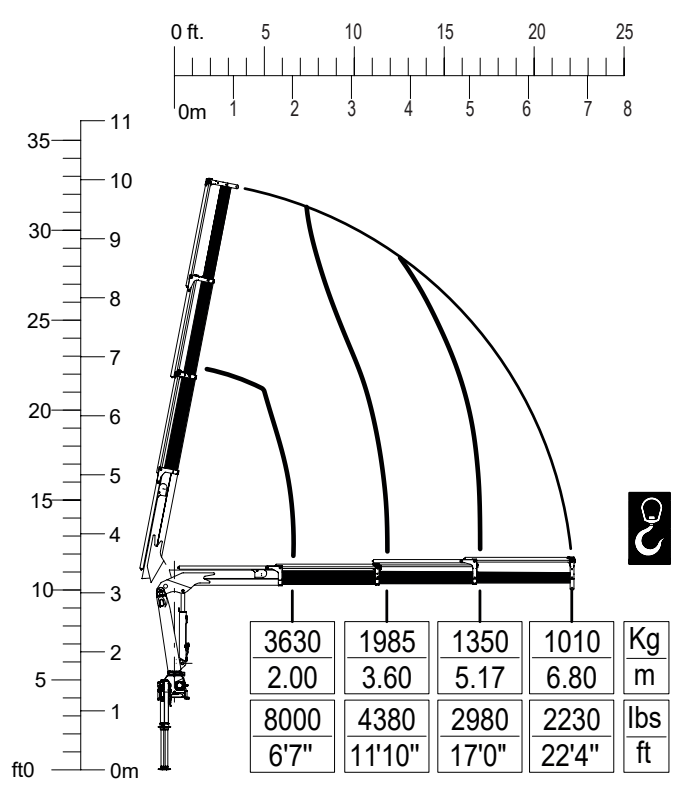
150TN ESSENTIAL

Load Charts

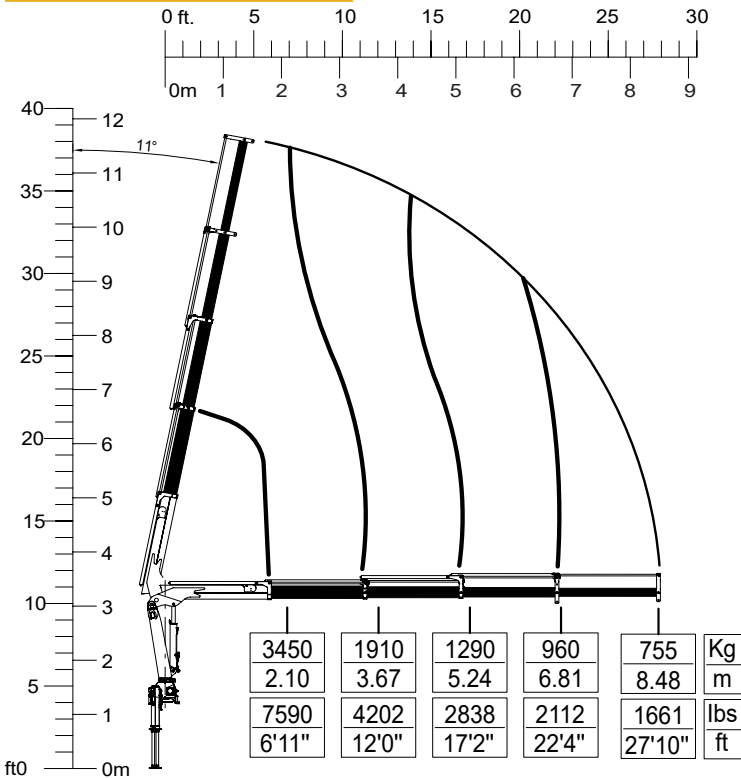
2 extensions



3 extensions



4 extensions



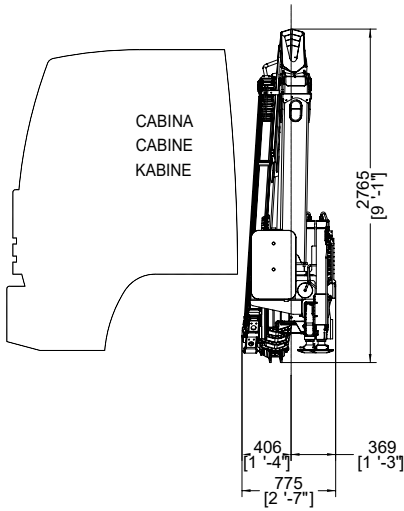
* Note:
 Technical features are not binding.
 The company reserves itself the right to any
 modification without notice



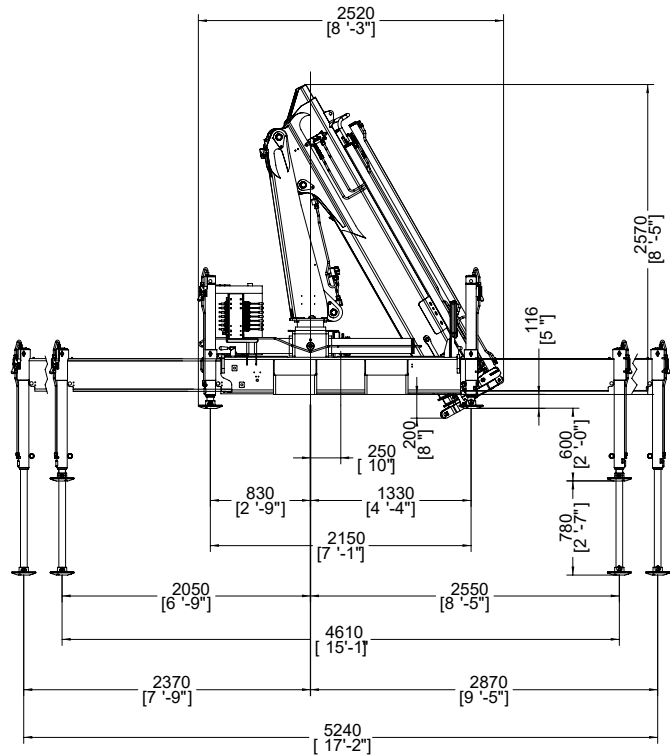
150 ESSENTIAL

Crane Dimensions

back cabin left

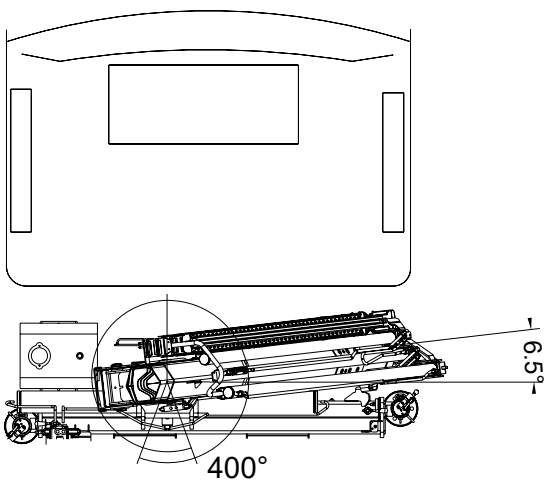


rear truck

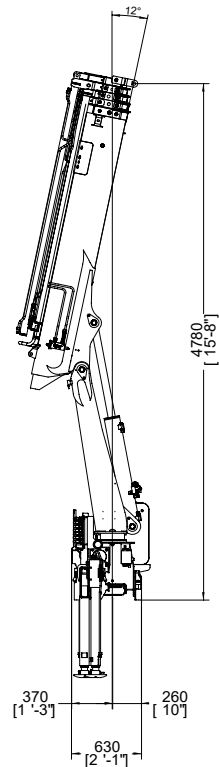


top cabin

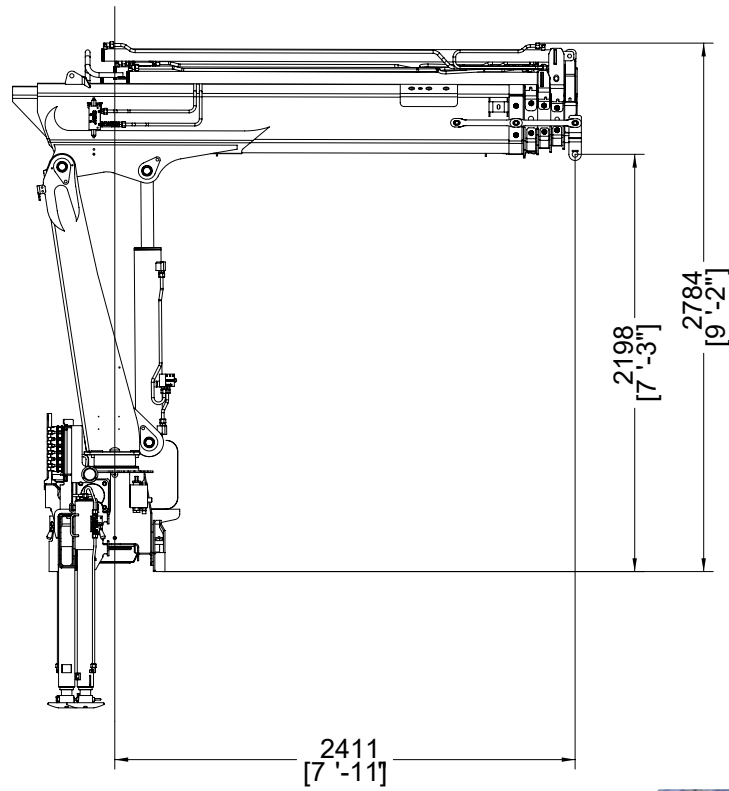
CABINA
CABINE
KABINE



operational



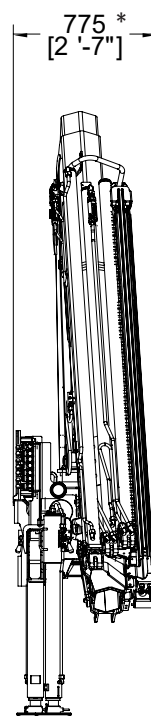
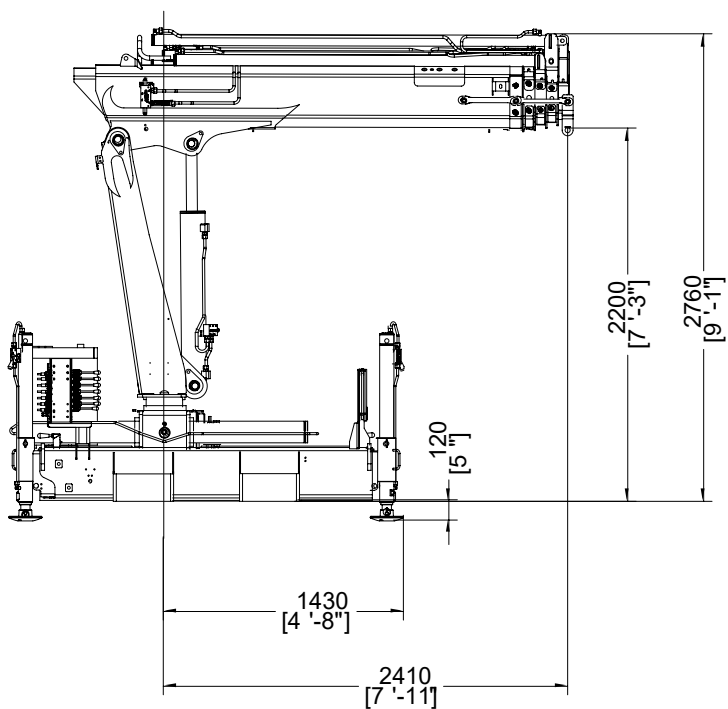
operational



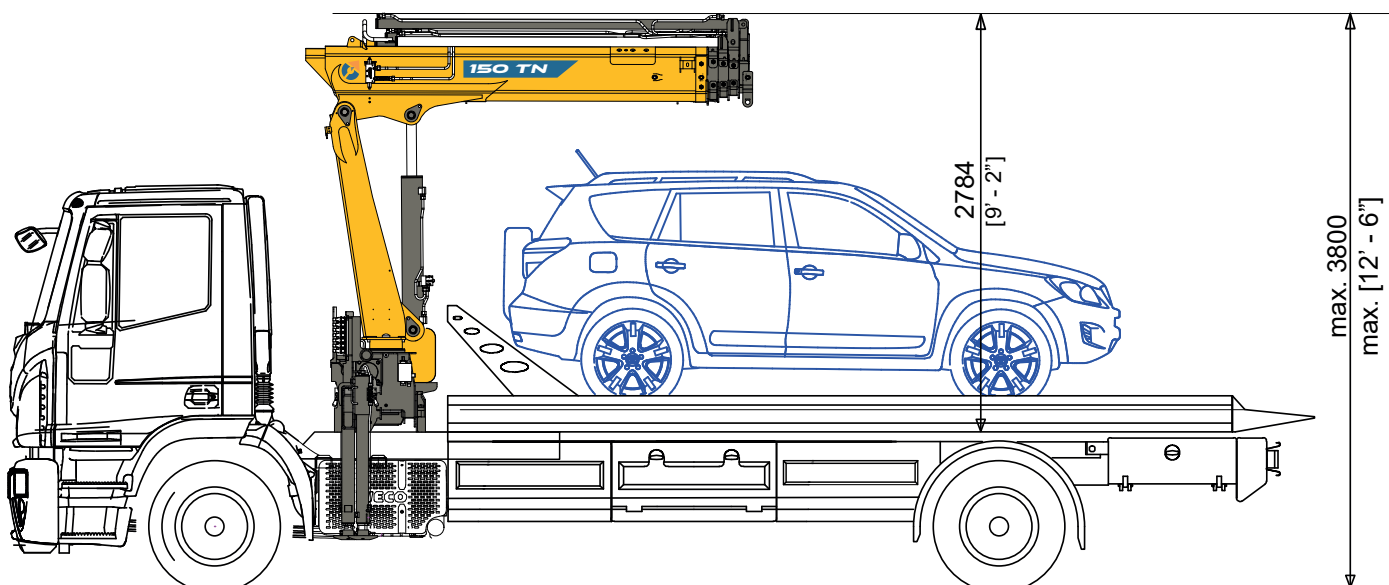
* Note:
Technical features are not binding.
The company reserves itself the right to any modification without notice



operational












(*) INGOMBRO CON 2 ATTIVAZIONI
DIMENSIONS WITH 2 EXTRA FUNCTIONS
ENCOMBREMENT AVEC 2 ACTIVATIONS..












150TN ESSENTIAL

Technical Data

summarized data

	 kN.m	 bar	 l/min	 kg	 °	 mm	 mm	 mm	 mm
150TN.2	143.3	330	25	1320	400	2522	775	2569	4600
150TN.3	141.3	330	25	1440	400	2522	775	2569	4600
150TN.4	139	330	25	1560	400	2195	775	2569	4600

	 lbs.ft	 psi	 gal/min	 lbs	 °	 ft/inc	 ft/inc	 ft/inc	 ft/inc
150TN.2	102202	4785	6,57	2910	400	8'3"	2'7"	8'5"	15'1"
150TN.3	105693	4785	6,57	3175	400	8'3"	2'7"	8'5"	15'1"
150TN.4	100538	4785	6,57	3440	400	8'3"	2'7"	8'5"	15'1"

technical data

Max. lifting moment	143,3 kNm	102202 ft.lbs
Max. hydraulic outreach	8,48 m	27'10"
Slewing angle	400°	400°
Slewing torque	1750 daNm	12657 ft.lbs
Stabilizer spread	4,60/5,24 mt	17'2"/15'1"
Fitting space required (min./max)	0,77 m	11'7"
Width folded	2,52 m	6'1"
Max. operating pressure	330 bar	4785 psi
Recommended pump capacity	25 l/min	6,57 US gal./min
Dead weight (vers .2)	1320 kg	2910 lbs

Technical Features

standard

• control



• structure



optional

• control



• easy use

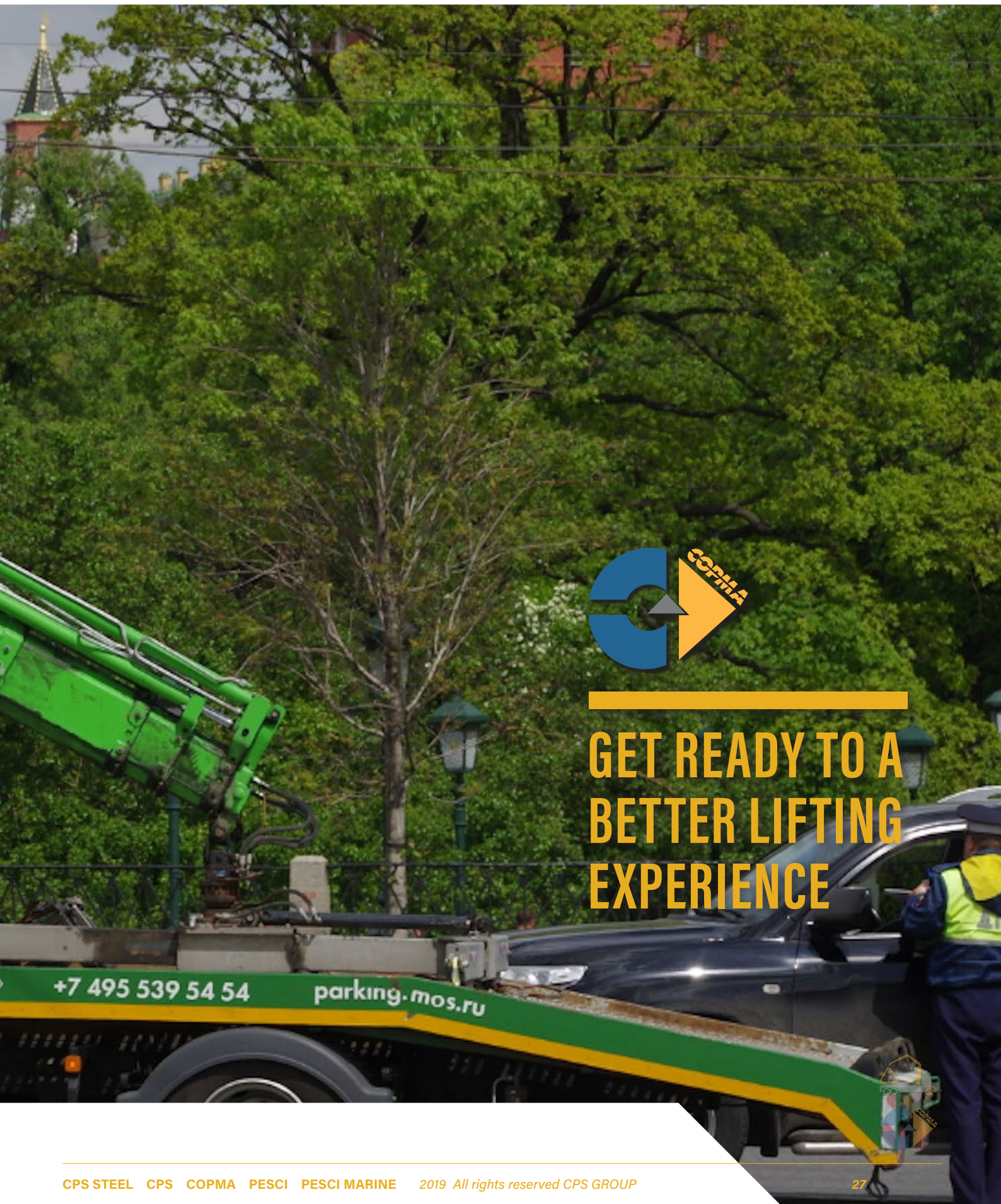


*CE version

* Technical features are not binding. The company reserves itself the right to any modification without notice







**GET READY TO A
BETTER LIFTING
EXPERIENCE**

COPMA T CRANES



crane with one
articulation



Powerful Synergies



CPS



**CPS
STEEL**

CPS GROUP S.P.A.

281 Via Emilia, Castel Bolognese (RA), 48018
Italy

T +39 0546 653 711

sales.cpsgroup@cps-group.com

service.cpsgroup@cps-group.com

cps-group.com

UNICERT
ISO 9001:2008



COPMA T MODELS ESSENTIAL10-2020 all rights reserved CPS GROUP S.P.A.