



CPS

Powerful Synergies



CPS

FS 100 Z

**LOADER CRANE
MODEL**

CPS FS 100 Z

Built for Heavy Duty

**FS 100 Z HAS A SUPERIOR
POWER WEIGHT RATIO FOR
THE TOUGHEST WORKING
CONDITION.**

- **FS Z loader crane with load category 10 Ton/Mt**
- **Efficient lubrication thanks to an oil bath of the slewing mechanism**
- **Longer Life Value**
- **Designed to be compact for close range operations**
- **Double Rack Slewing**





CPS

**BUILT TOUGH
TO PERFORM
IN EVERY
ENVIRONMENT**



CPS FS 100 Z

Performance and Reliability

**ENGINEERED FOR THE HIGHEST
LEVELS OF PERFORMANCE AND
RELIABILITY WITHOUT ANY
COMPROMISE.**

- **High quality hydraulic components**
- **Easy to use electronic controls**
- **Very resistant arm system**
- **Great visibility from the control position**



CPS FS 100 Z

Technical Features

**CUTTING EDGE FEATURES FOR
MAXIMUM LIFTING POWER,
STABILITY AND OPERATIONAL
SAFETY IN EVERY WORKING
CONDITION.**

Standard features

- easy use



- control



- structure



optional features

- easy use



- control



*E.C. market specific equipment

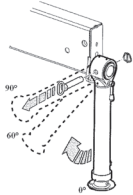
**E.C. market specific equipment for recycling use





Manual Lifting Stabilizers 1.0

Manual lifting of the crane legs. The manual lifting of the legs helps the operator adjust its extension manually without additional assistance from electronics or hydraulic controls.



Transport Alert Device

Sensors on the basement monitor the correct closing of the beams and a column switch sensor indicates if the crane is in a folded position, no more than 4 mt in height. The operator is warned with light and sound signals in the truck cabin.



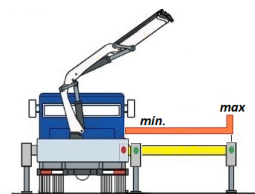
Crane Monitoring System 1.0

Crane stability control system TES1-TES2, safety control and overload control for medium-small cranes. Controlling the crane in 4 work areas, each area can have custom lifting settings depending on the vehicle stability.



Truck Electronic Stability 1.0

Active stability control for performance optimization according to the type of stabilization (1) to guarantee maximum safety in all working conditions. Mandatory in the CE market, it helps a better vehicle-crane configuration.



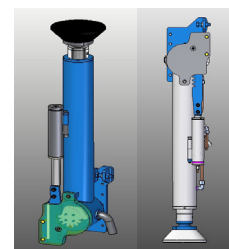
Rotation Rack Pinion

The rotation system with rack and pinion is the best optimal solution for the most performative lifting capacity, it reduce the weights and crane dimension for the most compact configuration.



Hydraulic Lifting Stabilizers 2.0

The cylinder of the stabilizer is lifted with an auxiliary jack, allowing the vertical movement within the bushes or rotating around a pin. It saves operative time in increasing the security of the setup.



Radio Remote Control 3.0

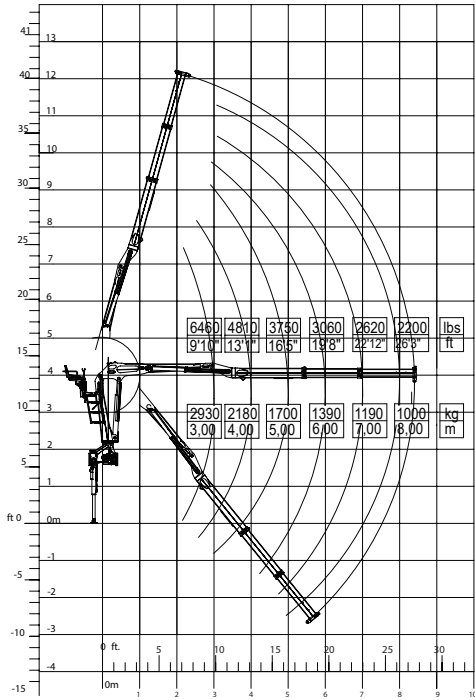
Radio remote control with the electrohydraulic actuator connected directly to the proportional control valve. The remote control allows operating the crane while constantly monitoring the areas of operation.



FS 100 Z

Load Charts

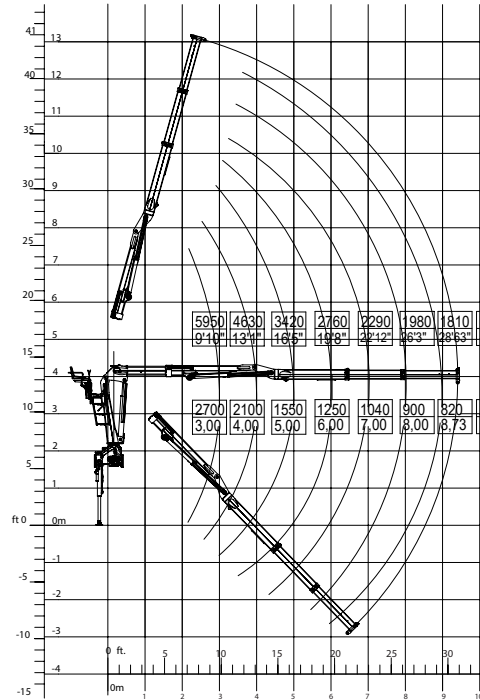
2 extensions



H1 - B4



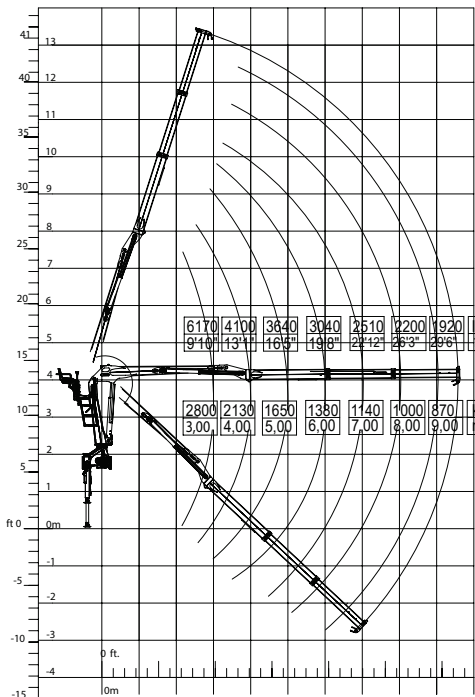
2 extensions P



H1 - B4



2 extensions L



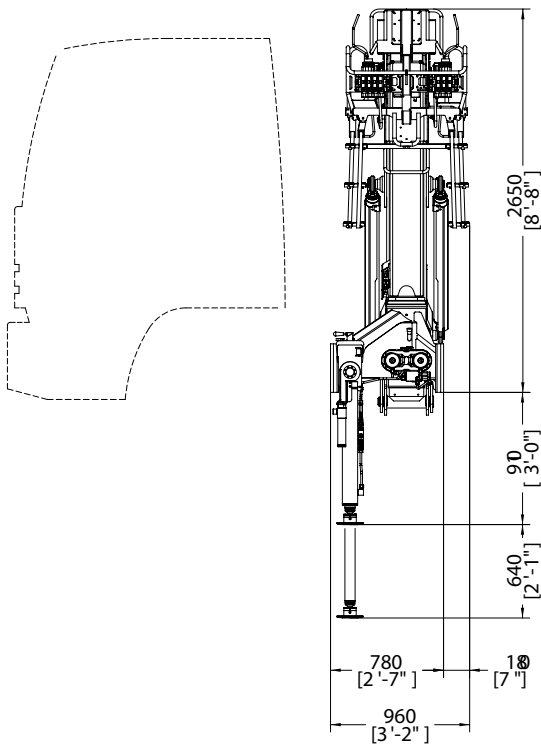
H1 - B4



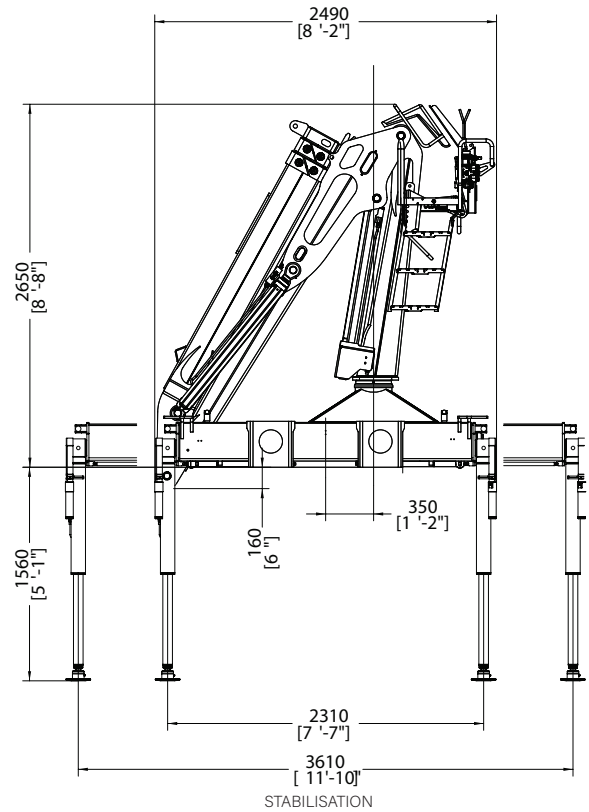
FS 100 Z

Loader Cranes Dimensions

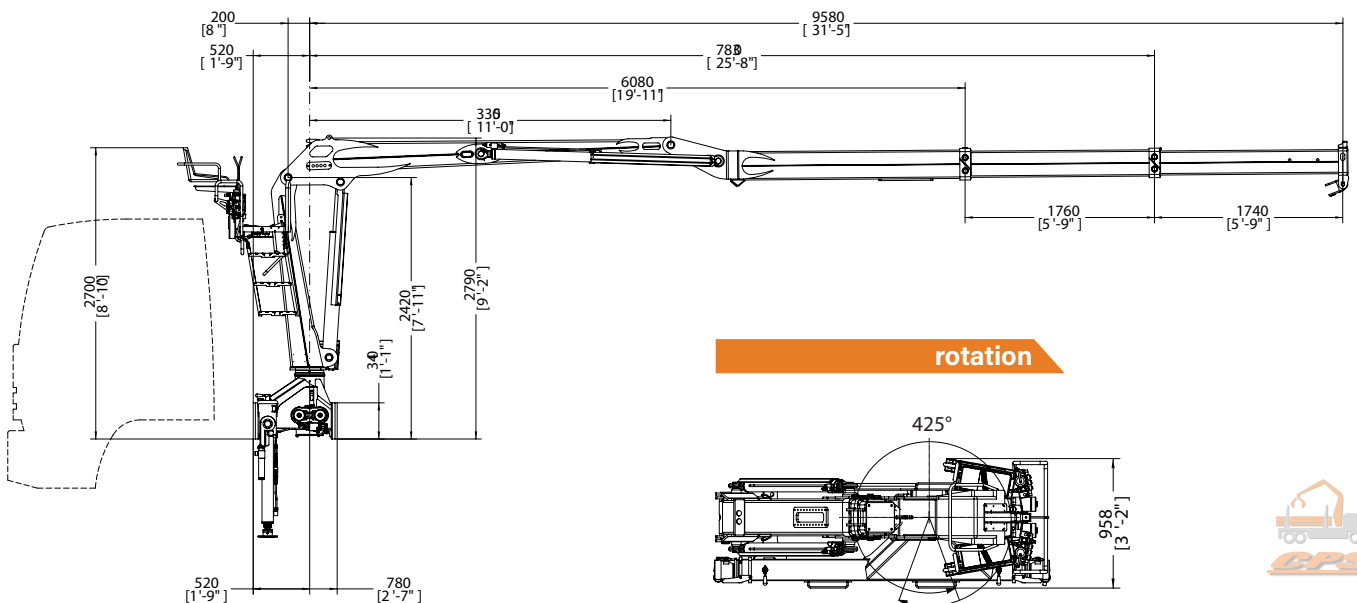
back cabin left



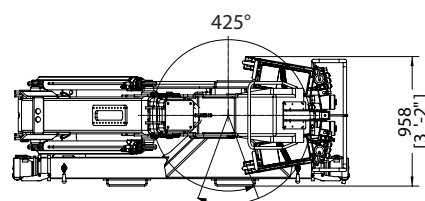
rear truck



max outreach



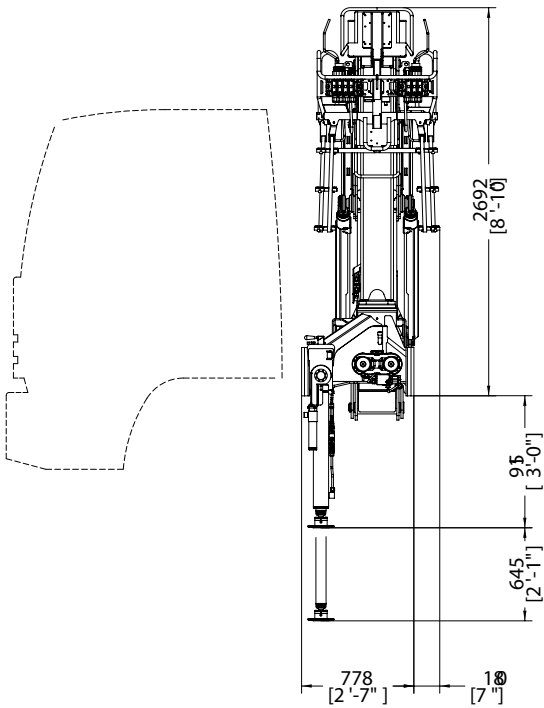
rotation



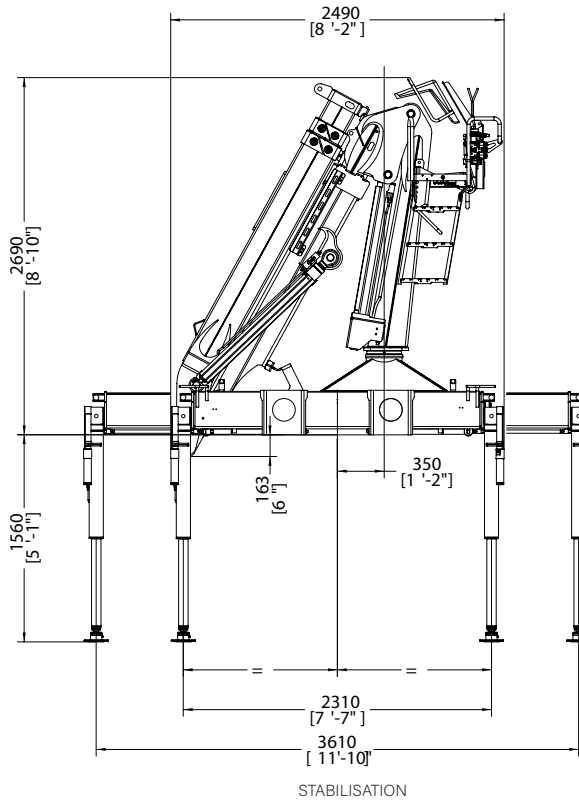
FS 100 ZP

Loader Cranes Dimensions

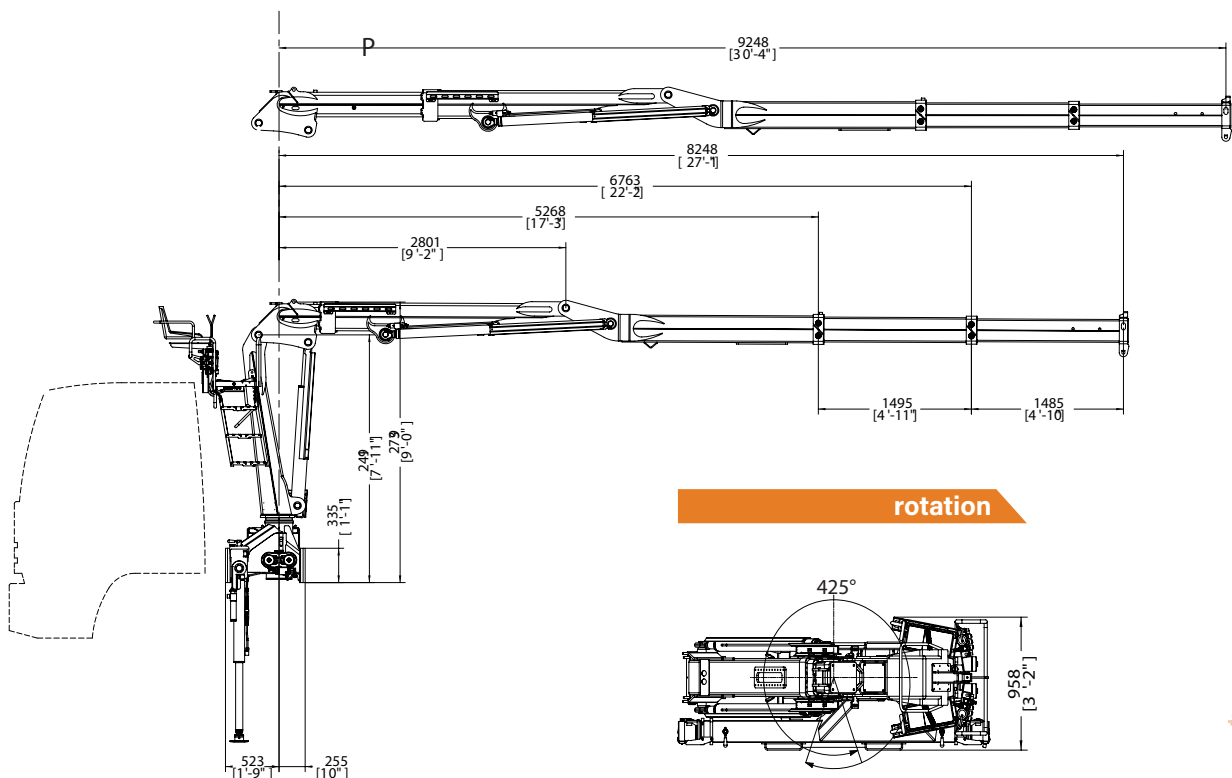
back cabin left



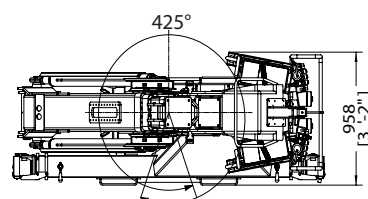
rear truck



max outreach



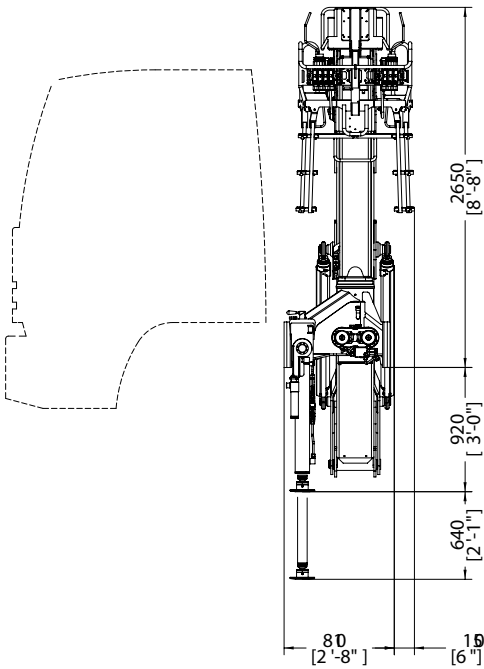
rotation



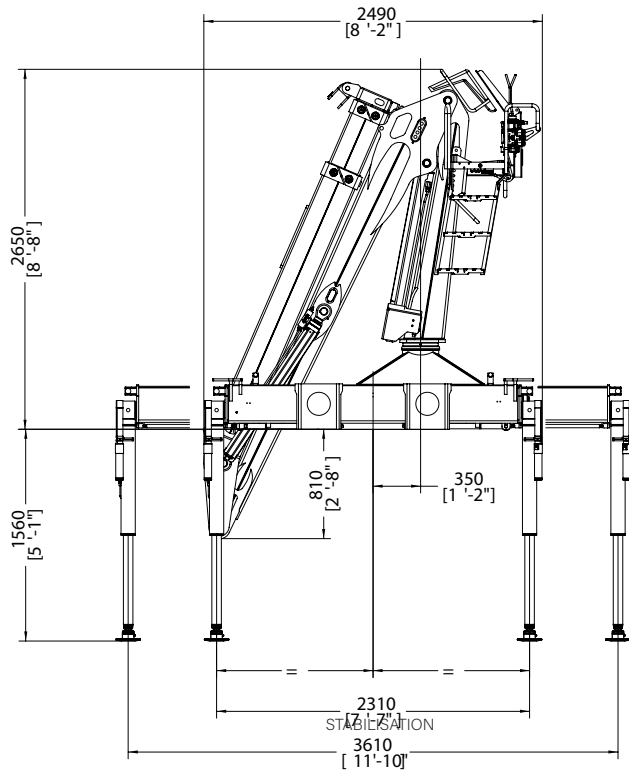
FS 100 ZL

Loader Cranes Dimensions

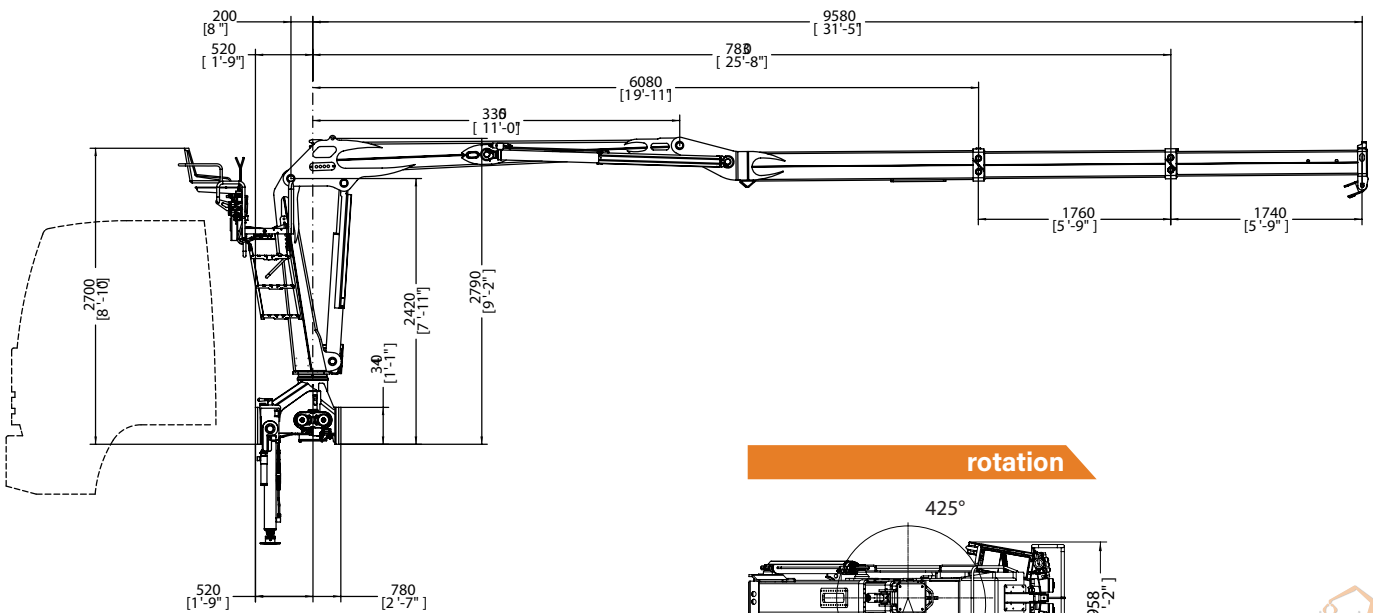
back cabin left



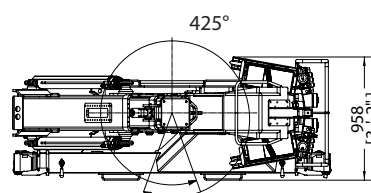
rear truck



max outreach



rotation





















Note: technical features are not binding. The company reserves itself the right to any modification without notice

FS 100 Z

Technical Data

summarized data

									
	kN.m	bar	l/min	kg	°	mm	mm	mm	mm
*FS R 100 Z.2 **FS L 100 Z.2	88,3	250	70	2000	425	2490	958	2650	3790
*FS R 100 Z.2P **FS L 100 Z.2P	81,5	250	70	2200	425	2490	958	2690	3790
*FS R 100 Z.2L **FS L 100 Z.2L	84,5	250	70	2050	425	2490	958	2650	3790

									
	lbs	psi	gal/min	lbs	°	ft/inc	ft/inc	ft/inc	ft/inc
*FS R 100 Z.2 **FS L 100 Z.2	65126	3625	18,4	4410	425	8'2"	3'2"	8'8"	12'5"
*FS R 100 Z.2P **FS L 100 Z.2P	60111	3625	18,4	4850	425	8'2"	3'2"	8'8"	12'5"
*FS R 100 Z.2L **FS L 100 Z.2L	62324	3625	18,4	4520	425	8'2"	3'2"	8'8"	12'5"

* "R" recycling use for E.C. market equipment
** "L" wood use for E.C. market equipment

technical data

Max. lifting moment	88,3 kN.m	65126 ft.lbs
Max. hydraulic outreach	7,83 m	25'8"
Slewing angle	425 °	425 °
Slewing torque	2200 daNm	16226 ft.lbs
Stabilizer spread	3,79 mt	12'5"
Fitting space required (min./max)	0,96 m	3'2"
Width folded	2,48 m	8'2"
Max. operating pressure	250 bar	3625 psi
Recommended pump capacity	70 l/min	18.4 US gal./min
Dead weight (vers Z.2)	2000 kg	4410 lbs

Note:

Technical features are not binding. The company reserves itself the right to any modification without notice



CPS FS 100 Z



loader
cranes



Powerful Synergies



CPS



**CPS
STEEL**

CPS GROUP S.P.A.

281 Via Emilia , Castel Bolognese (RA) , 48014
Italy

T +39 0546 653 711
sales.cpsgroup@cps-group.com
service.cpsgroup@cps-group.com

cps-group.com

CPS MODEL FS 100 Z 6-2019 all rights reserved CPS GROUP

UNICERT
ISO 9001:2008

