



CPS

Powerful Synergies




CPS
FS 24 Z

**LOADER CRANE
MODEL**

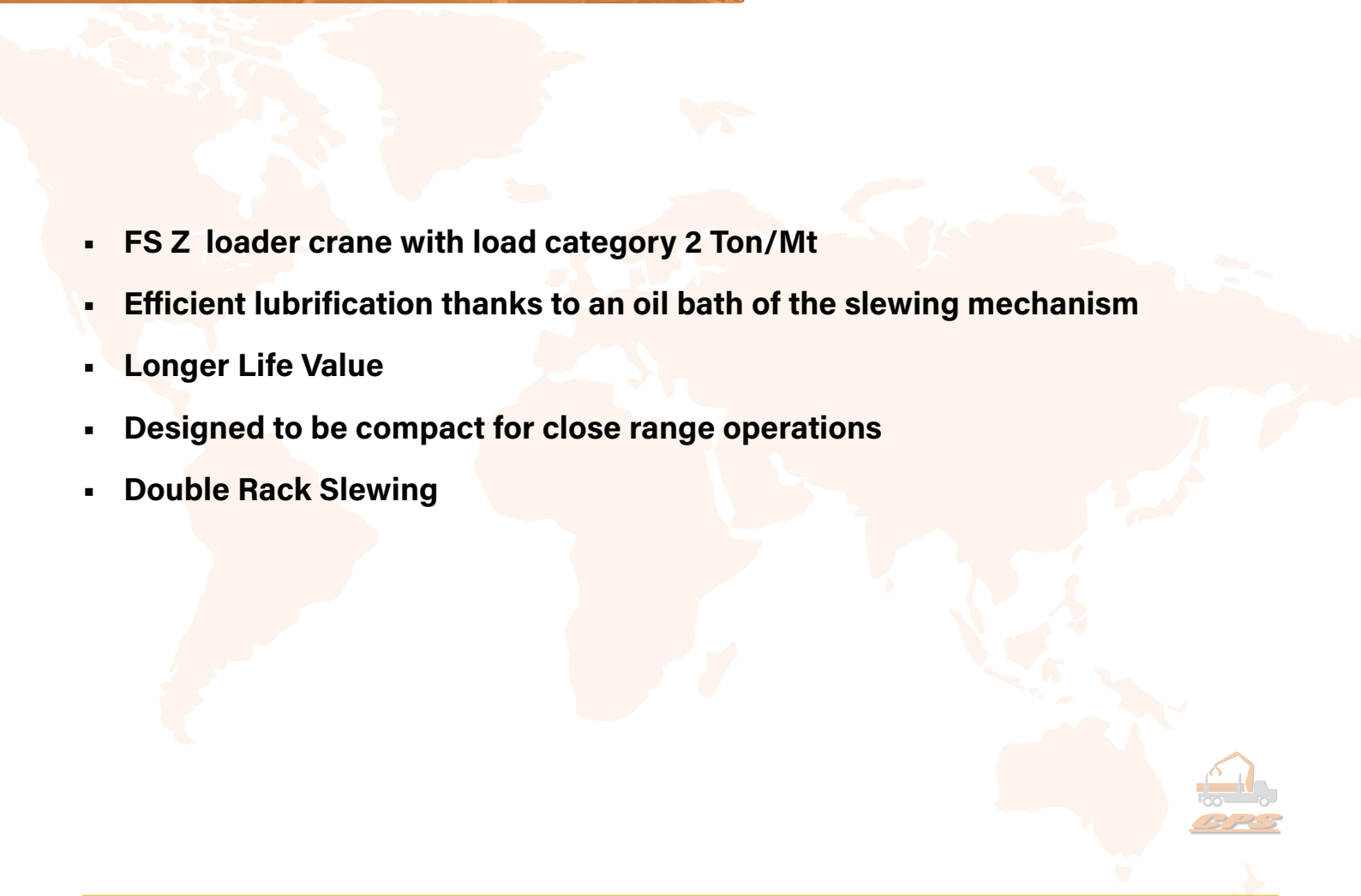


CPS FS 24 Z

Built for Heavy Duty



**FS 24 Z HAS A SUPERIOR
POWER WEIGHT RATIO FOR
THE TOUGHEST WORKING
CONDITION.**

- 
- **FS Z loader crane with load category 2 Ton/Mt**
 - **Efficient lubrication thanks to an oil bath of the slewing mechanism**
 - **Longer Life Value**
 - **Designed to be compact for close range operations**
 - **Double Rack Slewing**





CPS

**BUILT TOUGH
TO PERFORM
IN EVERY
ENVIRONMENT**



CPS FS 24 Z

Performance and Reliability

**ENGINEERED FOR THE HIGHEST
LEVELS OF PERFORMANCE AND
RELIABILITY WITHOUT ANY
COMPROMISE.**

- **High quality hydraulic components**
- **Easy to use electronic controls**
- **Very resistant arm system**
- **Great visibility from the control position**



CPS FS 24 Z

Technical Features

**CUTTING EDGE FEATURES
FOR MAXIMUM LIFTING
POWER, STABILITY AND
OPERATIONAL SAFETY IN EVERY
WORKING CONDITION.**

Standard features

- easy use



- control



- structure



optional features

- control



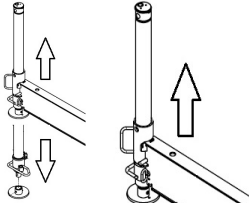
*E.C. market specific equipment





Manual Lifting Stabilizers 1.0

Manual lifting of the crane legs. The manual lifting of the legs helps the operator adjust its extension manually without additional assistance from electronics or hydraulic controls.



Transport Alert Device

Sensors on the basement monitor the correct closing of the beams and a column switch sensor indicates if the crane is in a folded position, no more than 4 mt in height. The operator is warned with light and sound signals in the truck cabin.



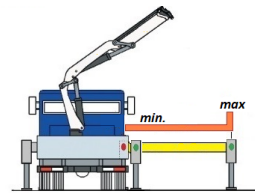
Crane Monitoring System 1.0

Crane stability control system TES1-TES2, safety control and overload control for medium-small cranes. Controlling the crane in 4 work areas, each area can have custom lifting settings depending on the vehicle stability.



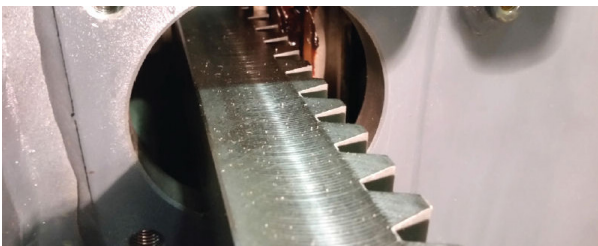
Truck Electronic Stability 1.0

Active stability control for performance optimization according to the type of stabilization (1) to guarantee maximum safety in all working conditions. Mandatory in the CE market, it helps a better vehicle-crane configuration.



Rotation Rack Pinion

The rotation system with rack and pinion is the best optimal solution for the most performative lifting capacity, it reduce the weights and crane dimension for the most compact configuration.



Radio Remote Control

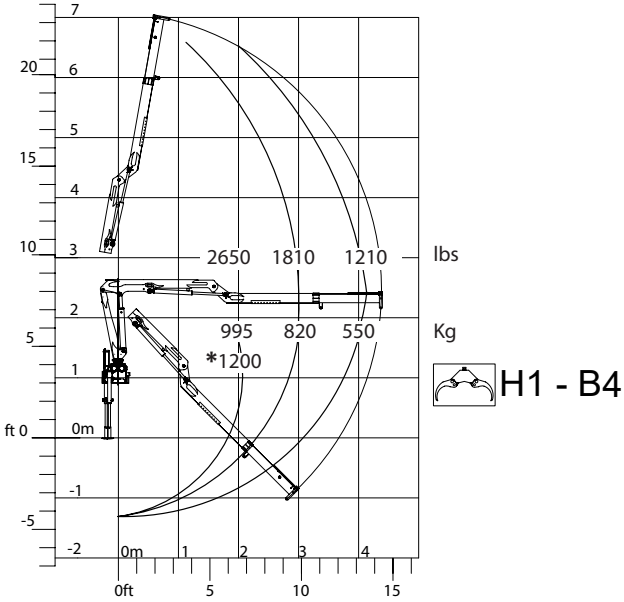
Radio remote control with the electrohydraulic actuator connected directly to the proportional control valve. The remote control allows operating the crane while constantly monitoring the areas of operation.



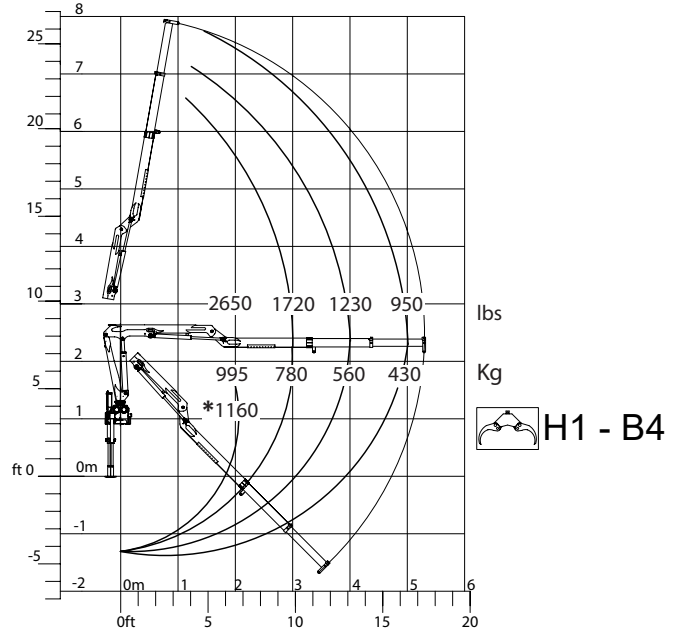
FS 24 Z

Load Charts

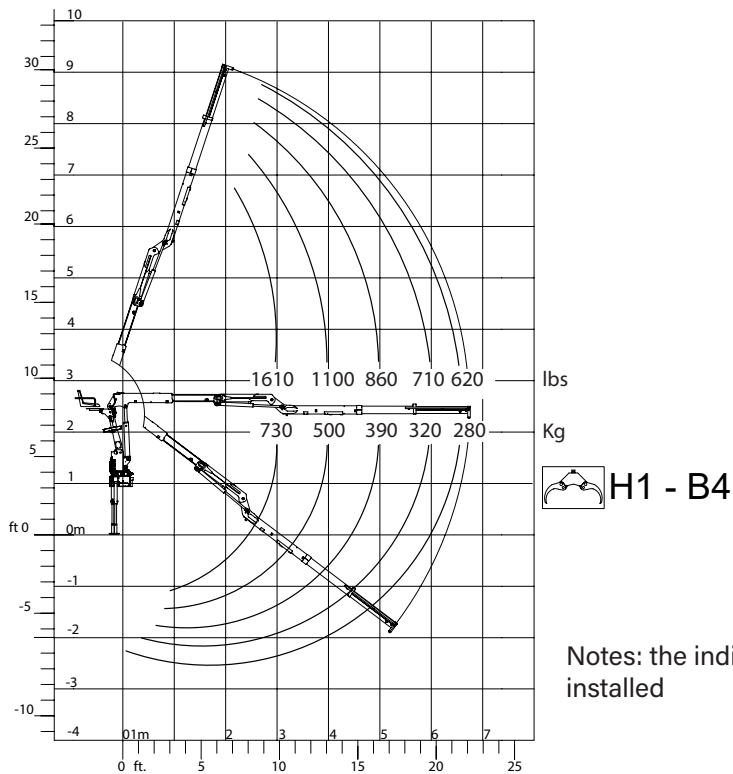
1 sfilo



2 sfili



2 sfili vers. P



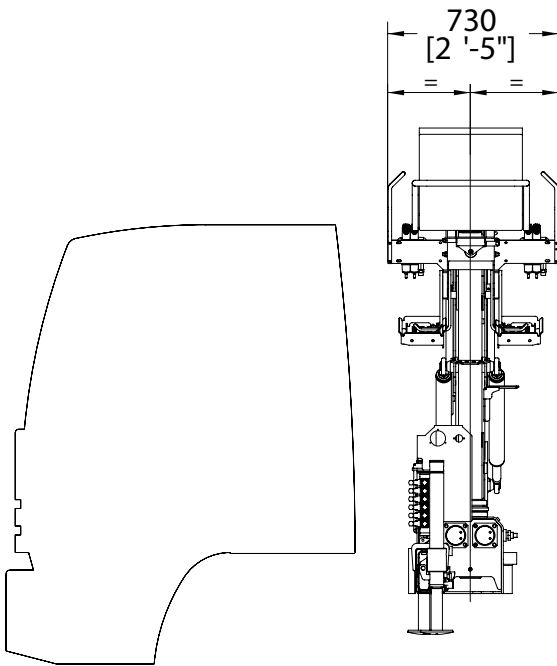
Notes: the indicated loads are intended without accessories installed



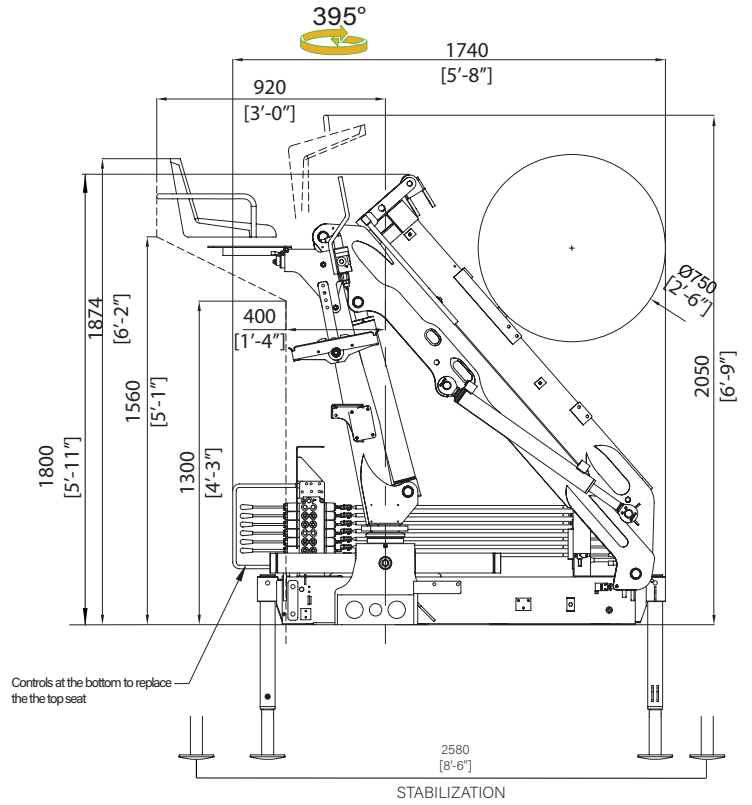
FS 24 Z

Loader Cranes Dimensions

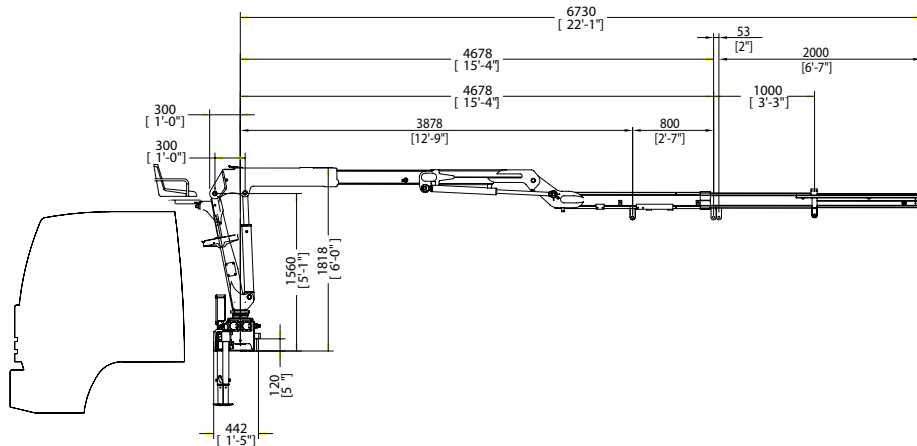
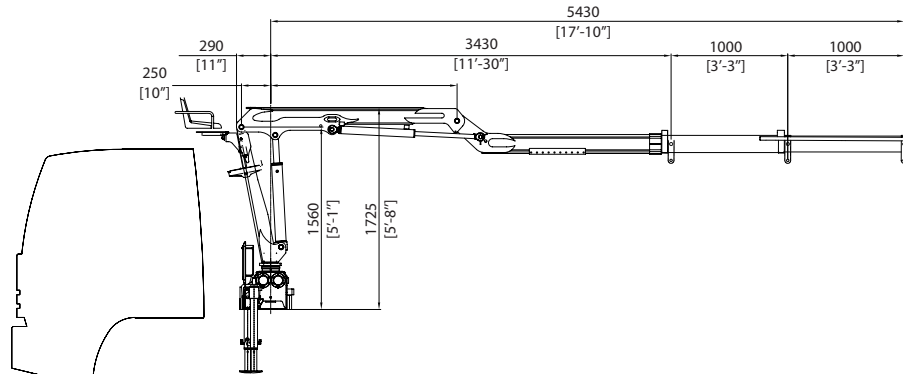
back cabin left



rear truck



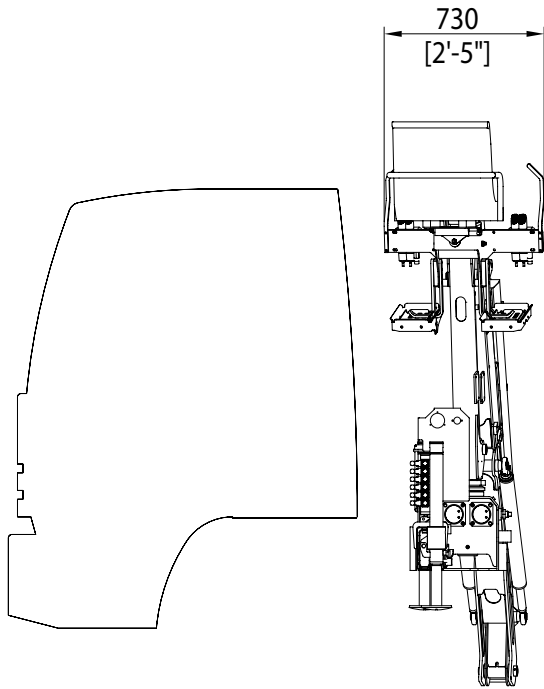
max outreach



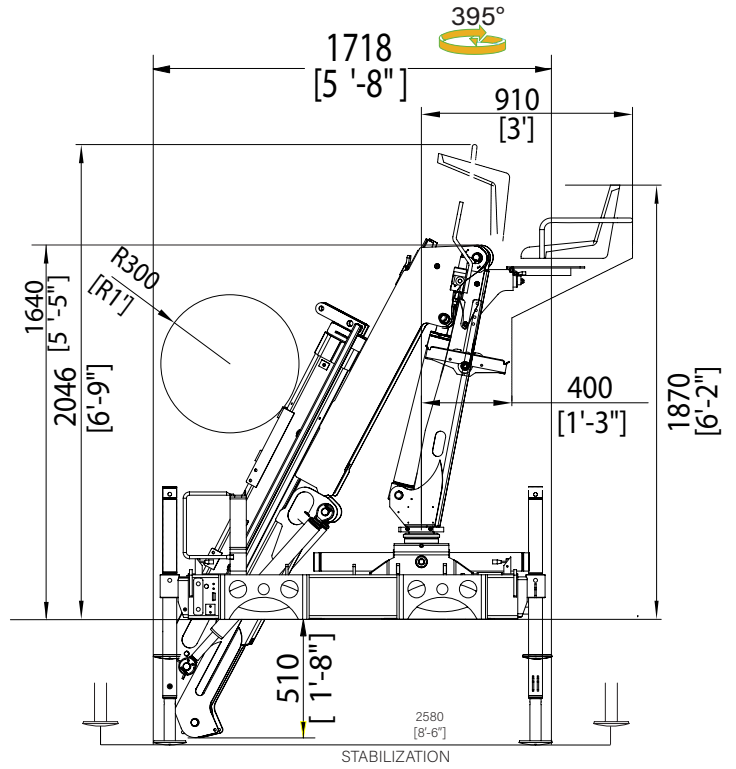
FS 24 ZP

Loader Cranes Dimensions

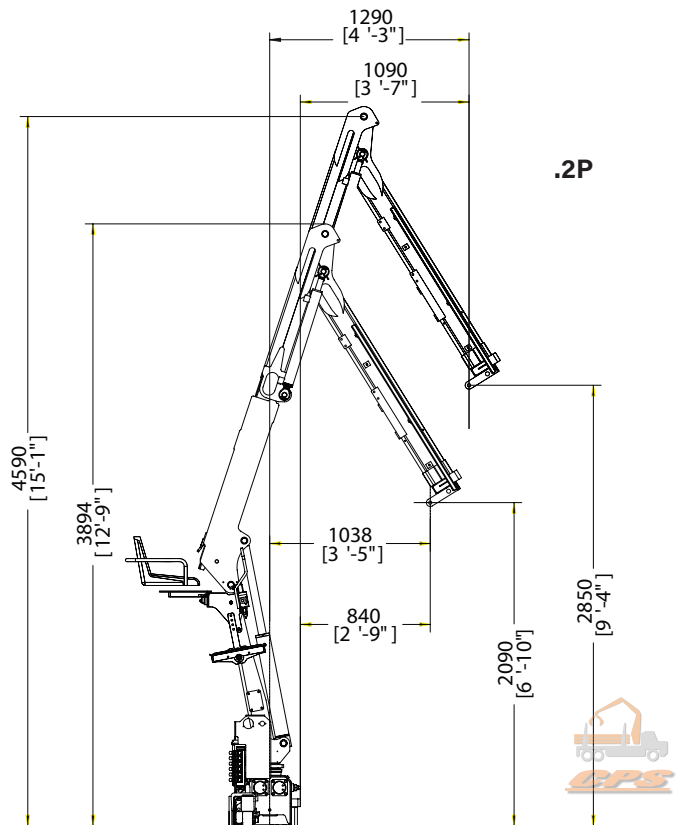
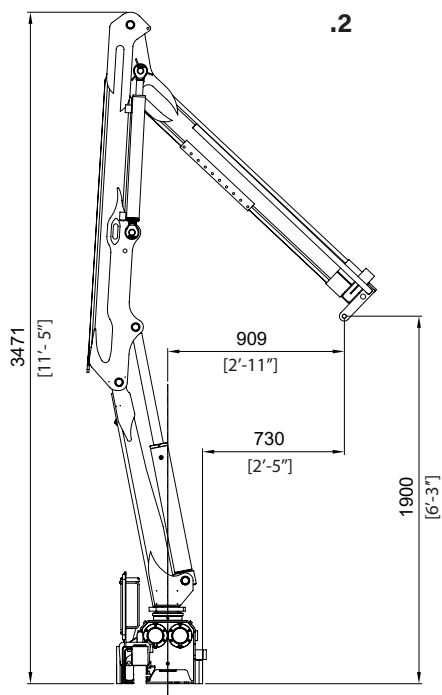
back cabin left



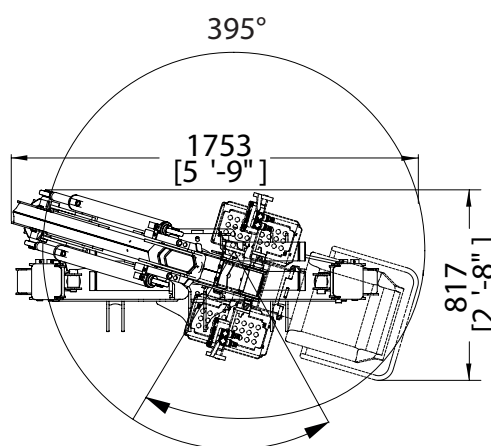
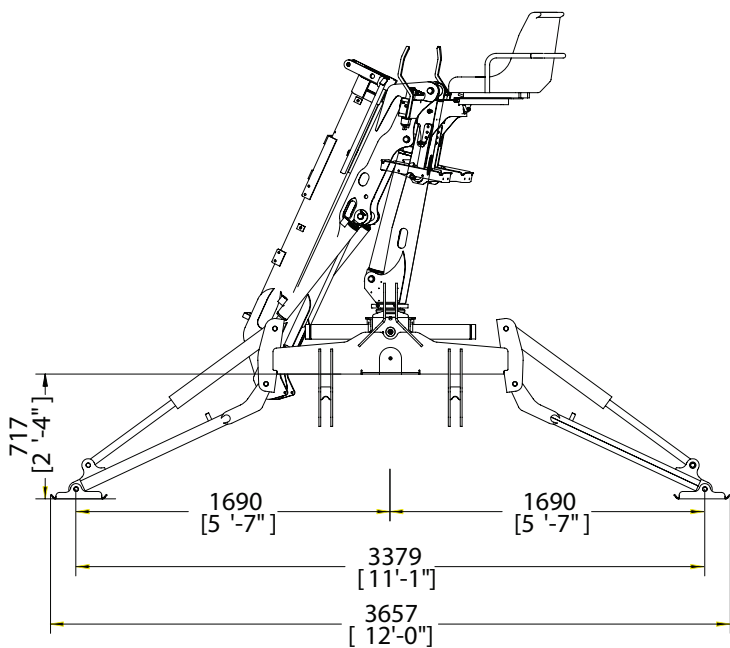
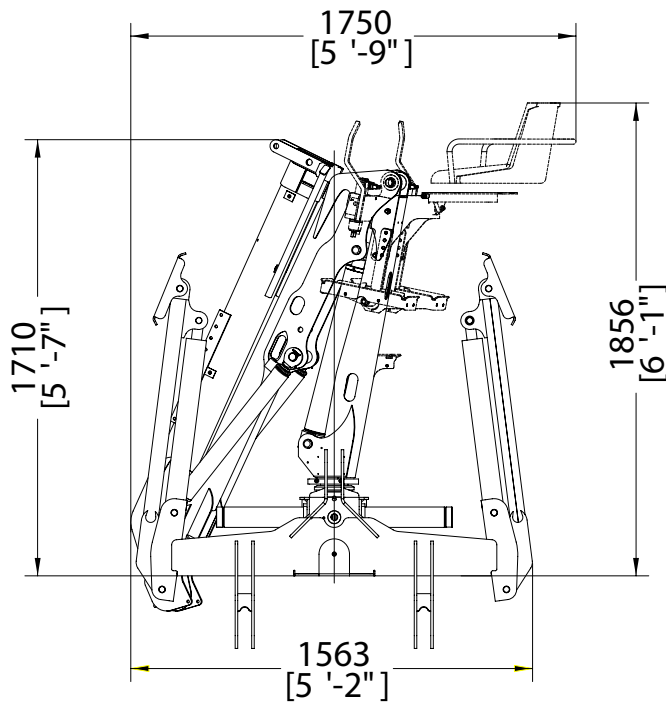
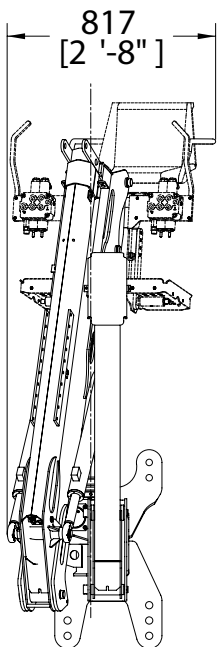
rear truck



max outreach












FS 24 Z "AGRI" MODEL












FS 24 Z

Technical Data

summarized data

									
	kN.m	bar	l/min	kg	°	mm	mm	mm	mm
FS 24 Z.1	24	220	12	520	395	1840	470	1800	2580
FS 24 Z.2	22.8	220	12	550	395	1840	470	1800	2580
FS 24 ZP.2	21.5	220	12	672	395	1840	535	1640	2580
*FS A 24 Z.1	24	220	12	555	395	1577	817	1710	3379
*FS A 24 Z.2	22.8	220	12	585	395	1577	817	1710	3379

									
	lbs	psi	gal/min	lbs	°	ft/inc	ft/inc	ft/inc	ft/inc
FS 24 Z.1	17700	3190	3.15	1144	395	6'0"	1'6"	5'11"	8'6"
FS 24 Z.2	16490	3190	3.15	1210	395	6'0"	1'6"	5'11"	8'6"
FS 24 ZP.2	15860	3190	3.15	1480	395	6'0"	1'9"	5'5"	8'6"
*FS A 24 Z.1	17359	3190	3.15	1220	395	5'2"	2'8"	5'7"	12'0"
*FS A 24 Z.2	16490	3190	3.15	1290	395	5'2"	2'8"	5'7"	12'0"

technical data

Max. lifting moment	24 kN.m	17700 ft.lbs
Max. hydraulic outreach	5.30 m	17'5"
Slewing angle	395 °	400 °
Slewing torque	800 daNm	16490 ft.lbs
Stabilizer spread	2.50 mt	8'6"
Fitting space required (min./max)	0.47/0.53 m	1'6"/1'9"
Width folded	1.84 m	6'0"
Max. operating pressure	220 bar	3190 psi
Recommended pump capacity	12 l/min	3.15 US gal./min
Dead weight (vers Z.2)	520 kg	1210 lbs

* Note:
 Technical features are not binding.
 The company reserves itself the right to any modification without notice



CPS FS 24 Z



loader
cranes



Powerful Synergies



CPS



**CPS
STEEL**

CPS GROUP S.P.A.

281 Via Emilia , Castel Bolognese (RA) , 48014
Italy

T +39 0546 653 711

sales.cpsgroup@cps-group.com

service.cpsgroup@cps-group.com

cps-group.com



CPS MODEL FS 24 Z 5-2019 all rights reserved CPS GROUP S.P.A.

UNICERT
ISO 9001:2008

