



**CPS**

Powerful Synergies



**CPS**  
FS 44 Z

**LOADER CRANE  
MODEL**

# CPS FS 44 Z

Built for Heavy Duty

**FS 44 Z HAS A SUPERIOR  
POWER WEIGHT RATIO FOR  
THE TOUGHEST WORKING  
CONDITION.**

- **FS Z loader crane with load category 4 Ton/Mt**
- **Efficient lubrication thanks to an oil bath of the slewing mechanism**
- **Longer Life Value**
- **Designed to be compact for close range operations**
- **Double Rack Slewing**





**CPS**

**BUILT TOUGH  
TO PERFORM  
IN EVERY  
ENVIRONMENT**



# CPS FS 44 Z

Performance and Reliability

**ENGINEERED FOR THE HIGHEST  
LEVELS OF PERFORMANCE AND  
RELIABILITY WITHOUT ANY  
COMPROMISE.**

- **High quality hydraulic components**
- **Easy to use electronic controls**
- **Very resistant arm system**
- **Great visibility from the control position**



# CPS FS 44 Z

## Technical Features

**CUTTING EDGE FEATURES FOR  
MAXIMUM LIFTING POWER,  
STABILITY AND OPERATIONAL  
SAFETY IN EVERY WORKING  
CONDITION.**

### Standard features

- easy use



- control



- structure



### optional features

- control



\*E.C. market specific equipment

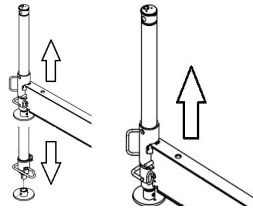
\*\*E.C. market specific equipment for recycling use





### Manual Lifting Stabilizers 1.0

Manual lifting of the crane legs. The manual lifting of the legs helps the operator adjust its extension manually without additional assistance from electronics or hydraulic controls.



### Transport Alert Device

Sensors on the basement monitor the correct closing of the beams and a column switch sensor indicates if the crane is in a folded position, no more than 4 mt in height. The operator is warned with light and sound signals in the truck cabin.



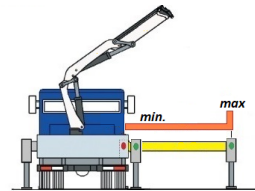
### Crane Monitoring System 1.0

Crane stability control system TES1-TES2, safety control and overload control for medium-small cranes. Controlling the crane in 4 work areas, each area can have custom lifting settings depending on the vehicle stability.



### Truck Electronic Stability 1.0

Active stability control for performance optimization according to the type of stabilization (1) to guarantee maximum safety in all working conditions. Mandatory in the CE market, it helps a better vehicle-crane configuration.



### Rotation Rack and Pinion

The rotation system with rack and pinion is the best optimal solution for the most performative lifting capacity, it reduce the weights and crane dimension for the most compact configuration.



### Radio Remote Control 3.0

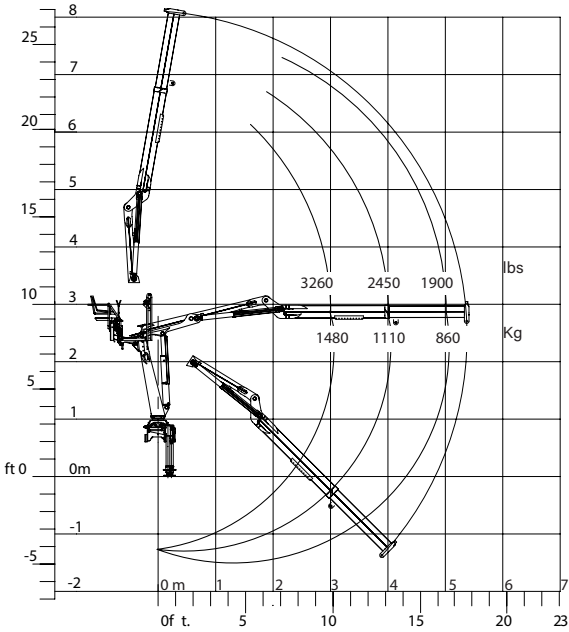
Radio remote control with the electrohydraulic actuator connected directly to the proportional control valve. The remote control allows operating the crane while constantly monitoring the areas of operation.



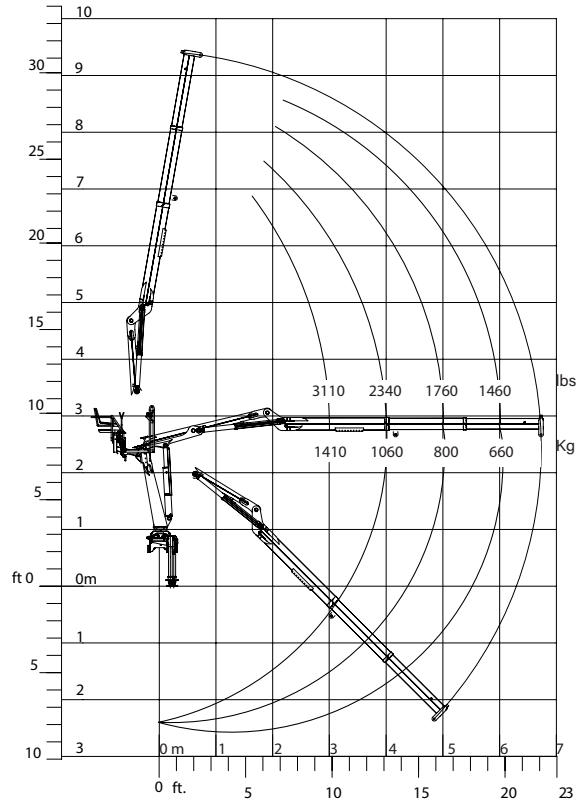
# FS 44 Z

## Load Charts

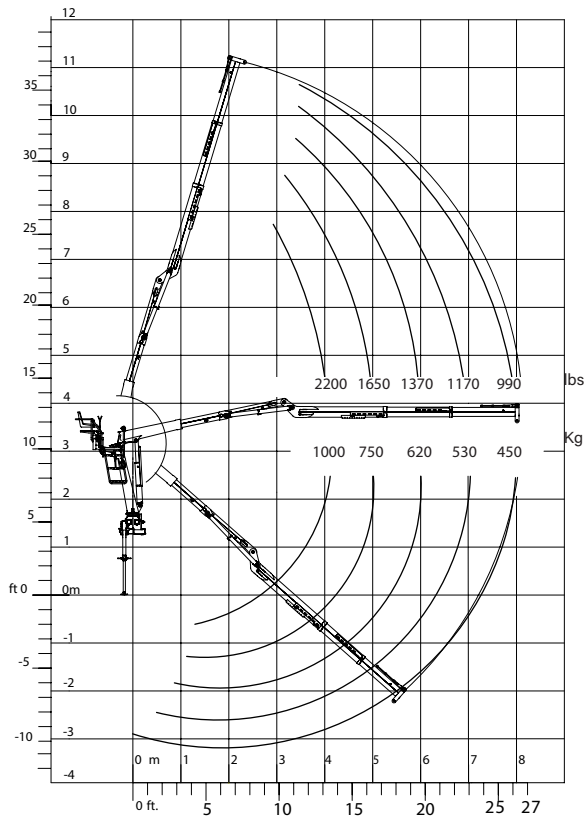
1 extensions



2 extensions



2 extensions P



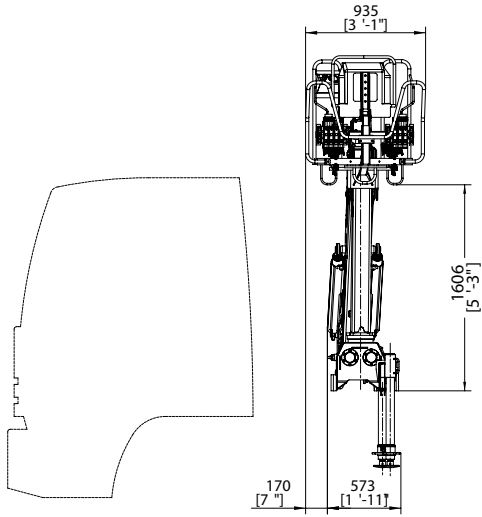
\*Indicated loads are intended without accessories installed



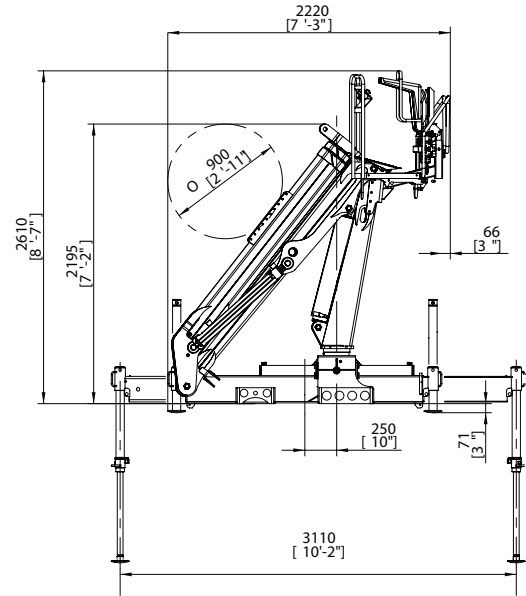
# FS 44 Z

## Loader Cranes Dimensions

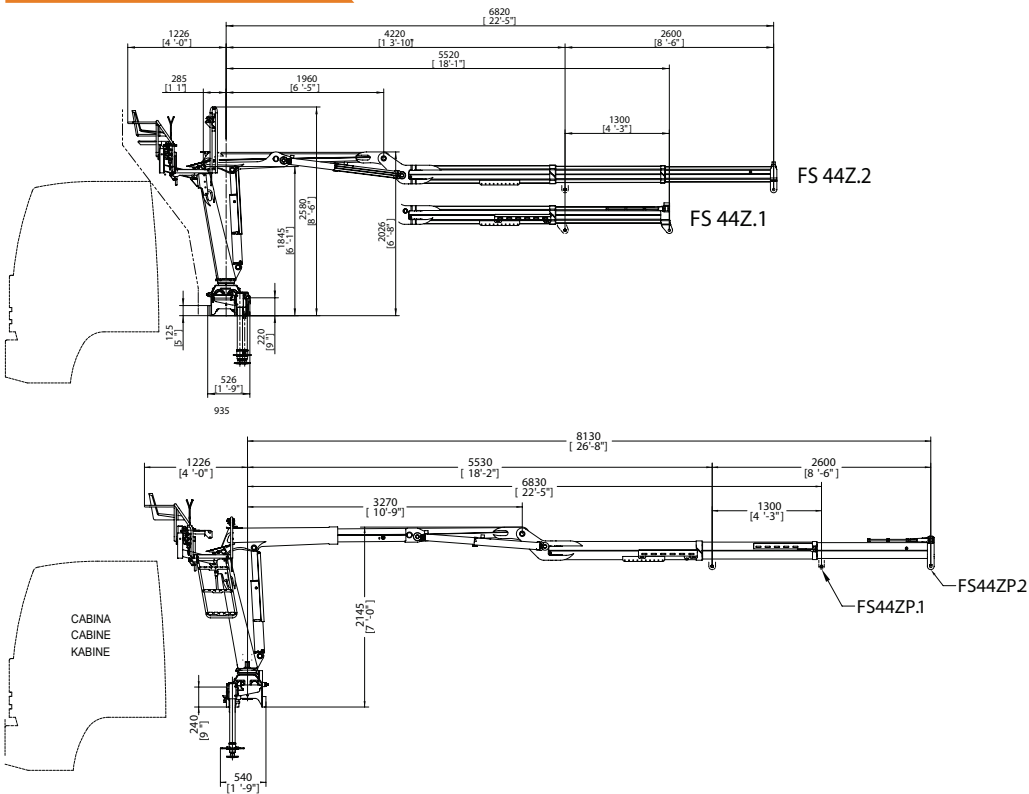
back cabin left



rear truck



max outreach

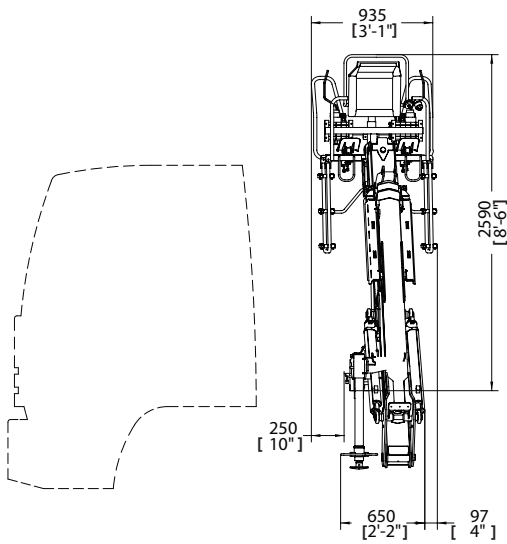




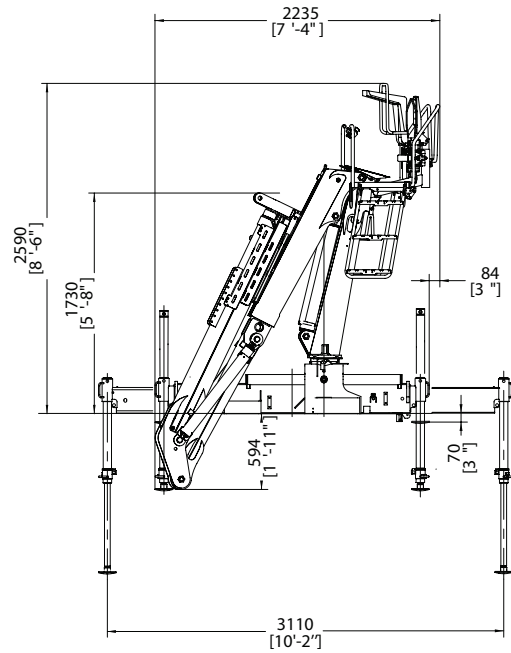
# FS 44 ZP

## Loader Cranes Dimensions

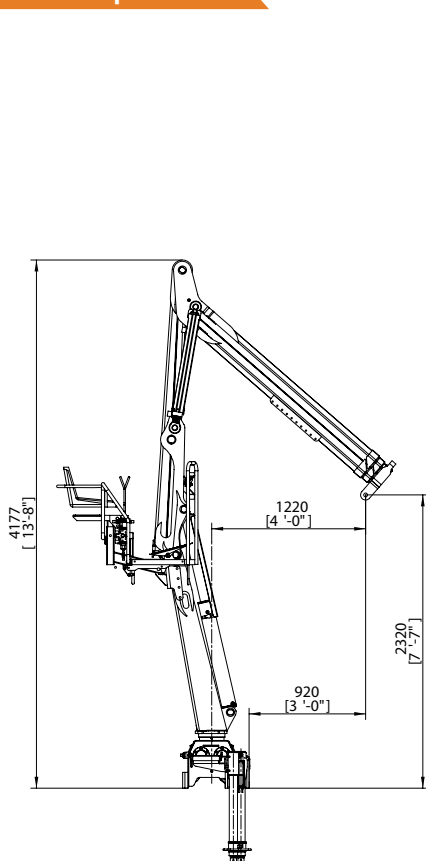
back cabin left



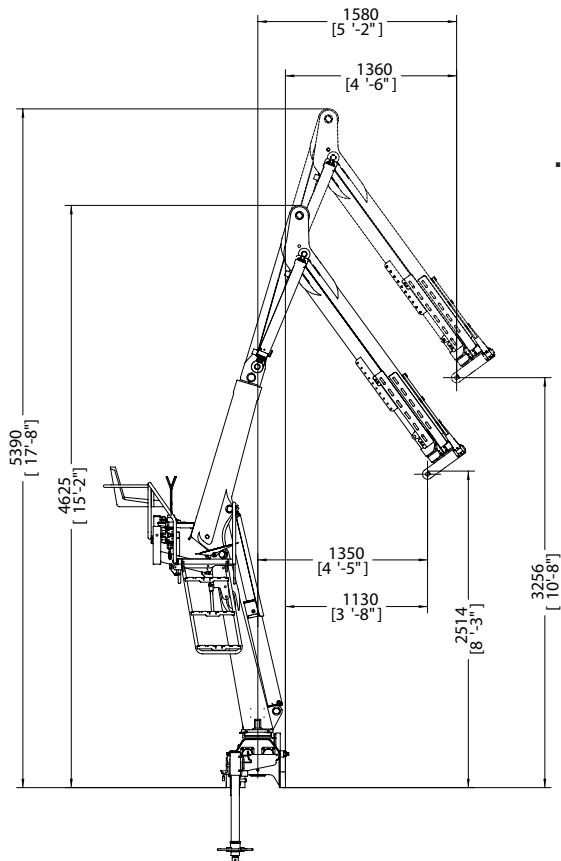
rear truck



operational



.2



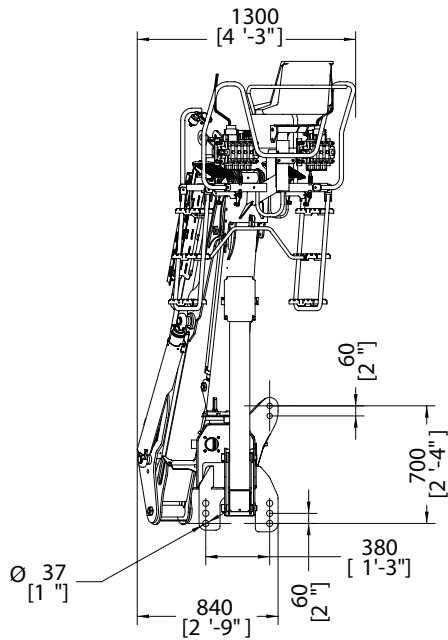
.2P



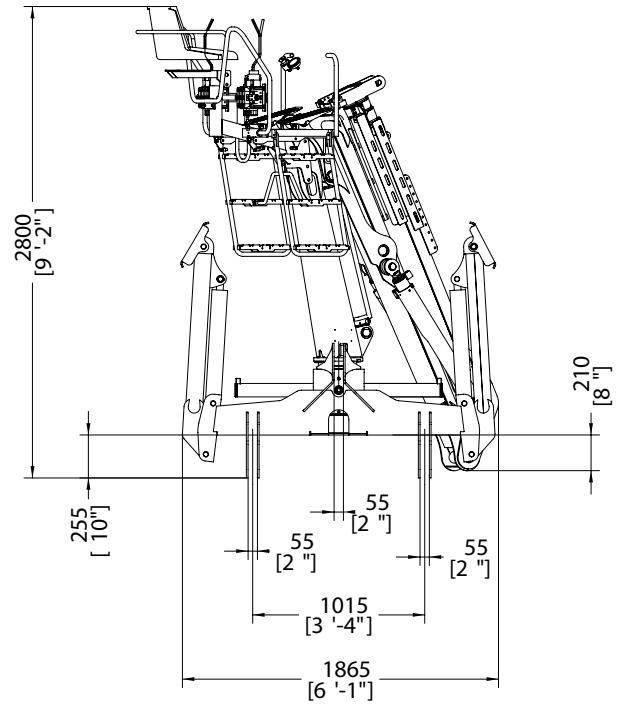
# FS 44 Z MODEL "AGRI"

## Loader Cranes Dimensions

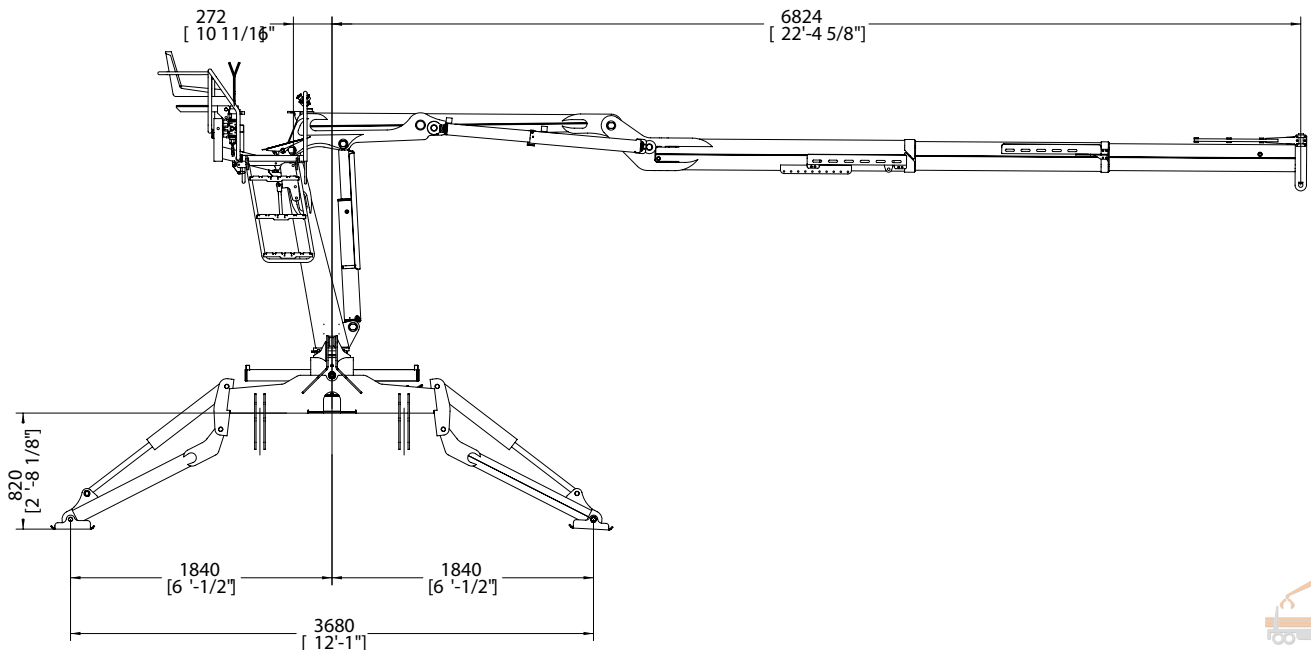
back cabin left



rear truck












max outreach












# FS 44 Z

## Technical Data

### summarized data

									
	kN.m	bar	l/min	kg	°	mm	mm	mm	mm
*FS R 44 Z.1	43,5	230	30	920	400	2220	935	2140	3110
**FS L 44 Z.1									
*FS R 44 Z.2	41,4	230	30	980	400	2220	935	2180	3110
**FS L 44 Z.2									
*FS R 44 Z.2P	38	230	30	1070	400	2230	970	2140	3110
**FS L 44 Z.2P									
***FS A 44 Z.1	43,5	230	30	980	400	1865	1300	2800	3680
***FS A 44 Z.2	41,4	230	30	1020	400	1865	1300	2800	3680

									
	lbs.ft	psi	gal/min	lbs	°	ft/inc	ft/inc	ft/inc	ft/inc
*FS R 44 Z.1	32084	3335	7.89	2030	400	7'3"	3'1"	7'0"	10'2"
**FS L 44 Z.1									
*FS R 44 Z.2	30535	3335	7.89	2156	400	7'3"	3'1"	7'2"	10'2"
**FS L 44 Z.2									
*FS R 44 Z.2P	28027	3335	7.89	2360	400	7'3"	3'2"	7'0"	10'2"
**FS L 44 Z.2P									
***FS A 44 Z.1	32084	3335	7.89	2160	400	6'1"	4'3"	9'2"	12'1"
***FS A 44 Z.2	30535	3335	7.89	2250	400	6'1"	4'3"	9'2"	12'1"

\* "R" recycling use for E.C. market equipment  
 \*\* "L" wood use for E.C. market equipment  
 \*\*\* "A" agriculture use for E.C. market equipment

### technical data

Max. lifting moment	43,5 kN.m	32084 ft.lbs
Max. hydraulic outreach	8,13m	26'8"
Slewing angle	400 °	400 °
Slewing torque	1100 daNm	7956 ft.lbs
Stabilizer spread (std. vers)	3,10 mt	10'2"
Fitting space required (min./max)	0,93 m	3'1"
Width folded	2,20 m	7'3"
Max. operating pressure	230 bar	3335 psi
Recommended pump capacity	30 l/min	7.89 US gal./min
Dead weight (vers Z.1)	920 kg	2030 lbs



Note:  
 Technical features are not binding. The company reserves itself the right to any modification without notice

# CPS FS 44 Z



loader  
cranes



Powerful Synergies



**CPS**



**CPS  
STEEL**

## CPS GROUP S.P.A.

281 Via Emilia , Castel Bolognese (RA) , 48014  
Italy

T +39 0546 653 711  
sales.cpsgroup@cps-group.com  
service.cpsgroup@cps-group.com

[cps-group.com](http://cps-group.com)

CPS MODEL FS 44 Z 6-2019 all rights reserved CPS GROUP

UNICERT  
ISO 9001:2008

