



CPS

Powerful Synergies



CPS
FS 74 Z

**LOADER CRANE
MODEL**



CPS FS 74 Z

Built for Heavy Duty

**FS 74 Z HAS A SUPERIOR
POWER WEIGHT RATIO FOR
THE TOUGHEST WORKING
CONDITION.**

- **FS Z loader crane with load category 7 Ton/Mt**
- **Longer Life Value**
- **Designed to be compact for close range operations**
- **Double Rack Slewing**





CPS

**BUILT TOUGH
TO PERFORM
IN EVERY
ENVIRONMENT**



CPS FS 74 Z

Performance and Reliability

**ENGINEERED FOR THE HIGHEST
LEVELS OF PERFORMANCE AND
RELIABILITY WITHOUT ANY
COMPROMISE.**

- **High quality hydraulic components**
- **Easy to use electronic controls**
- **Very resistant arm system**
- **Great visibility from the control position**



CPS FS 74 Z

**CUTTING EDGE FEATURES FOR
MAXIMUM LIFTING POWER,
STABILITY AND OPERATIONAL
SAFETY IN EVERY WORKING
CONDITION.**

Standard features

- control



- structure



optional features

- easy use



- control



*E.C. market specific equipment

**E.C. market specific equipment for recycling use





Crane Monitoring System 1.0

Crane stability control system TES1-TES2, safety control and overload control for medium-small cranes. Controlling the crane in 4 work areas, each area can have custom lifting settings depending on the vehicle stability.



Rotation Rack Pinion

The rotation system with rack and pinion is the best optimal solution for the most performative lifting capacity, it reduce the weights and crane dimension for the most compact configuration.



Radio Remote Control 3.0

Radio remote control with the electrohydraulic actuator connected directly to the proportional control valve. The remote control allows operating the crane while constantly monitoring the areas of operation.



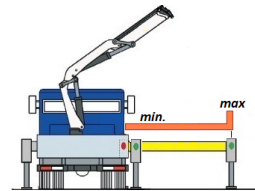
Transport Alert Device

Sensors on the basement monitor the correct closing of the beams and a column switch sensor indicates if the crane is in a folded position, no more than 4 mt in height. The operator is warned with light and sound signals in the truck cabin.



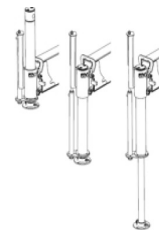
Truck Electronic Stability 1.0

Active stability control for performance optimization according to the type of stabilization (1) to guarantee maximum safety in all working conditions. Mandatory in the CE market, it helps a better vehicle-crane configuration.



Hydraulic Lifting Stabilizers 2.0

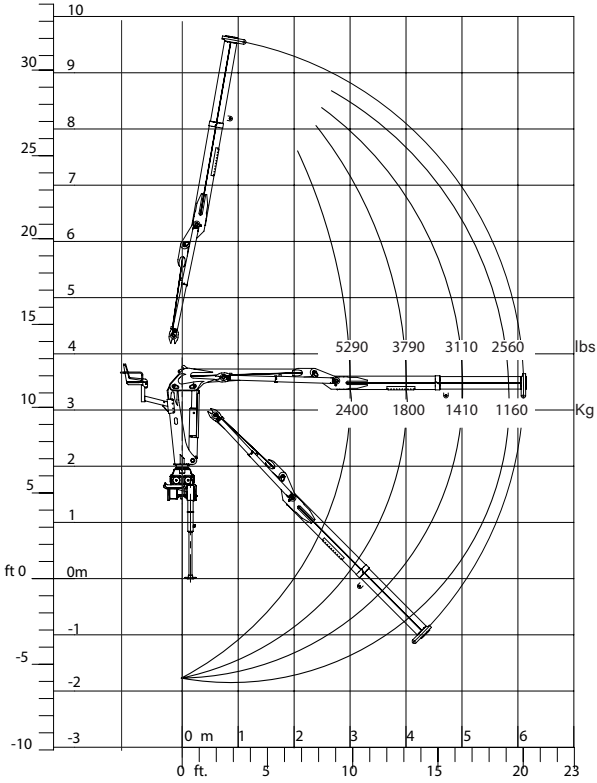
The cylinder of the stabilizer is lifted with an auxiliary jack, allowing the vertical movement within the bushes or rotating around a pin. It saves operative time in increasing the security of the setup.



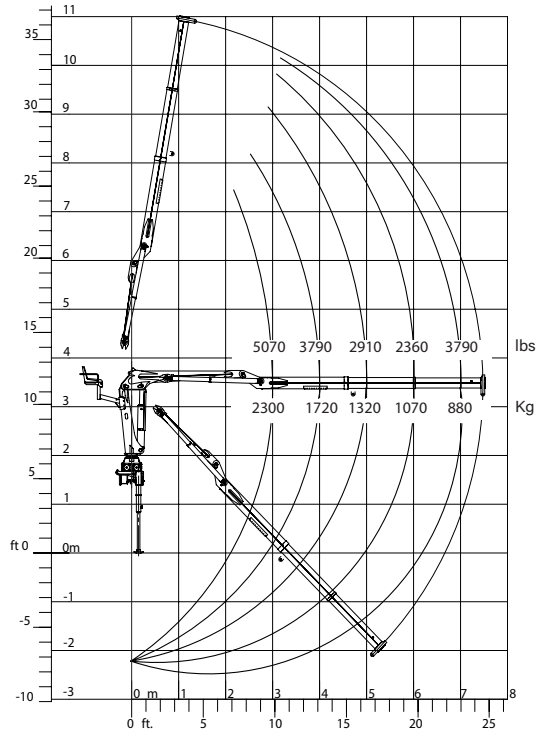
FS 74 Z

Load Charts

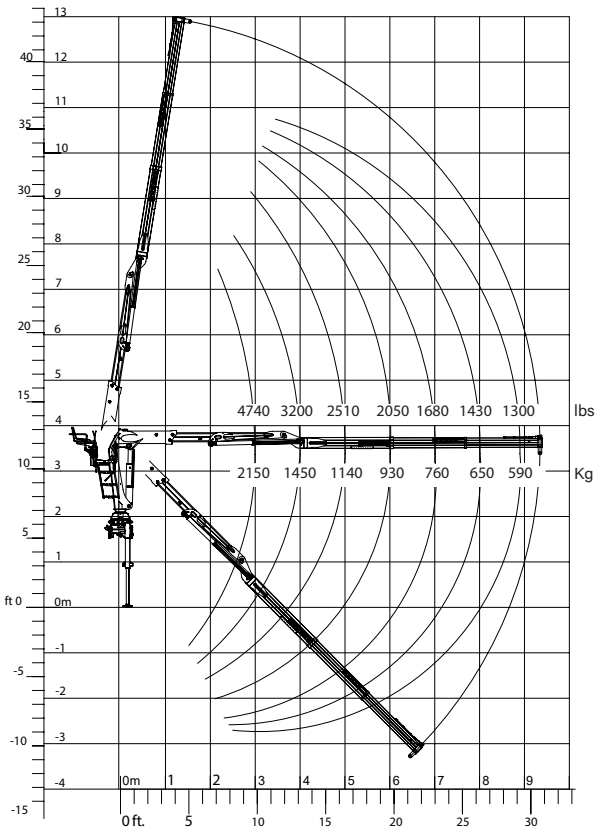
1 extensions



2 extensions



2 extensions P



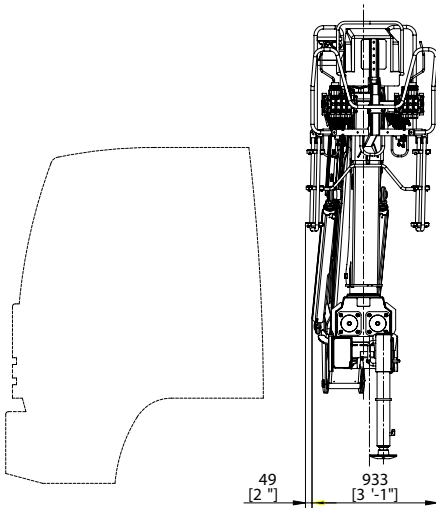
*Indicated loads are intended without accessories installed



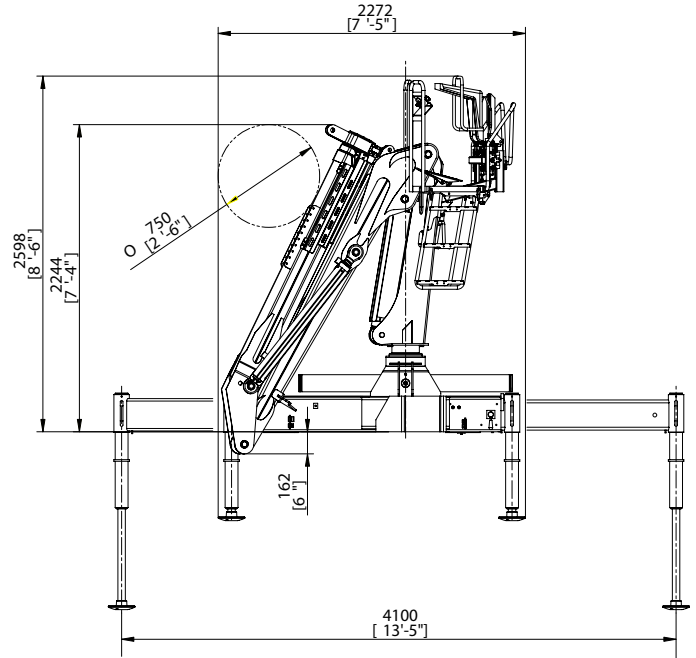
FS 74 Z

Loader Cranes Dimensions

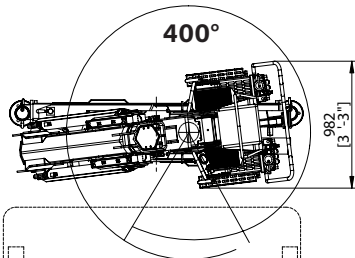
back cabin left



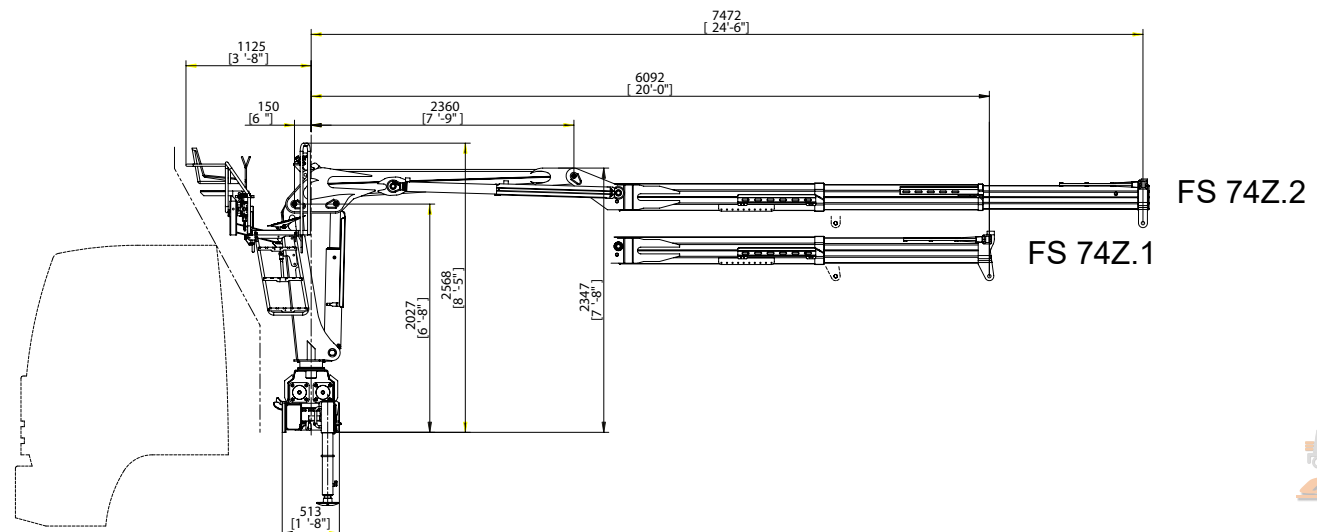
rear truck



top cabin



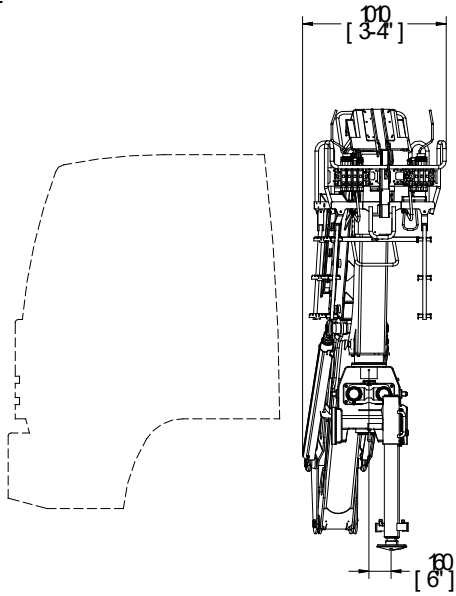
max outreach



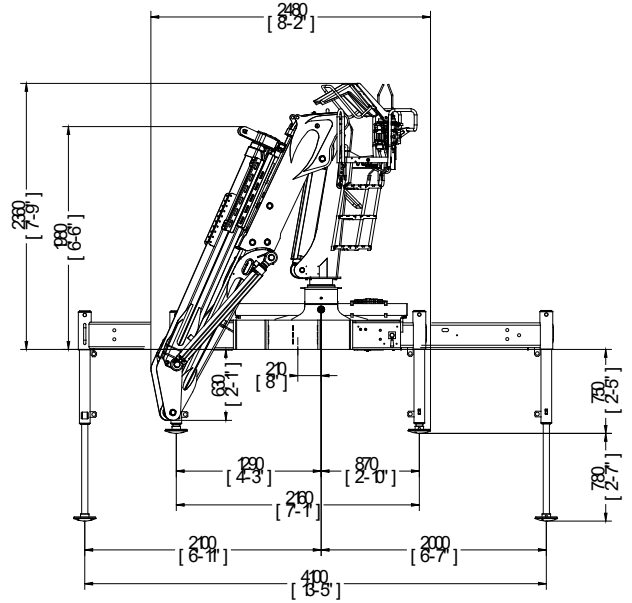
FS 74 ZP

Loader Cranes Dimensions

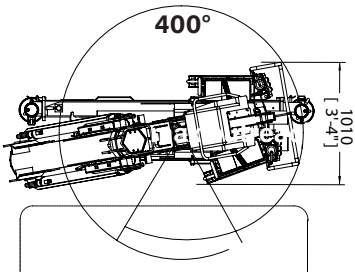
back cabin left



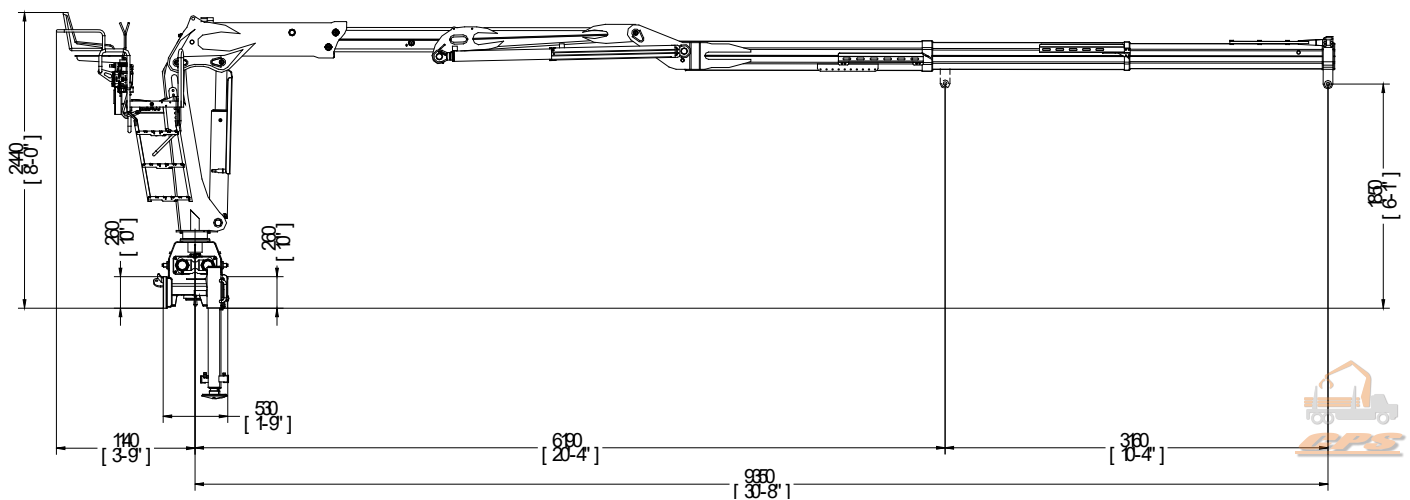
rear truck



top cabin




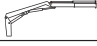







max outreach












FS 74 Z

Technical Data

summarized data

									
	kN.m	bar	l/min	kg	°	mm	mm	mm	mm
*FS R 74 Z.1	71	220	50	1410	400	2270	980	2600	4100
**FS L 74 Z.1									
*FS R 74 Z.2	68	220	50	1490	400	2270	980	2600	4100
**FS L 74 Z.2									
*FS R 74 Z.2P	63	220	50	1690	400	2480	1010	2360	4100
**FS L 74 Z.2P									

									
	lbs.ft	psi	gal/min	lbs	°	ft/inc	ft/inc	ft/inc	ft/inc
*FS R 74 Z.1	52366	3190	13	3102	400	7'5"	3'3"	8'6"	13'5"
**FS L 74 Z.1									
*FS R 74 Z.2	50154	3190	13	3278	400	7'5"	3'3"	8'6"	13'5"
**FS L 74 Z.2									
*FS R 74 Z.2P	46466	3190	13	3730	400	8'2"	3'4"	7'9"	13'5"
**FS L 74 Z.2P									

* "R" recycling use equipment for E.C. market

** "L" timber use equipment for E.C. market

technical data

Max. lifting moment	71 kN.m	52366 ft.lbs
Max. hydraulic outreach (vers. P)	9.35 m	30'80"
Slewing angle	400 °	400 °
Slewing torque	2600 daNm	18805 ft.lbs
Stabilizer spread	4.1 mt	13'5"
Fitting space required (min./max)	0.98 m	3'3"
Width folded	220 bar	3190 psi
Max. operating pressure	50 l/min	13 US gal./min
Recommended pump capacity	1410 kg	3102 lbs
Dead weight (vers .1)		



* Note:

Technical features are not binding. The company reserves itself the right to any modification without notice



CPS



CPS FS 74 Z



loader
cranes



Powerful Synergies



CPS



**CPS
STEEL**

CPS GROUP S.P.A.

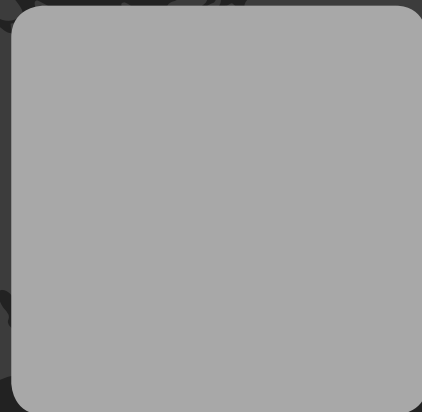
281 Via Emilia , Castel Bolognese (RA) , 48014
Italy

T +39 0546 653 711

sales.cpsgroup@cps-group.com

service.cpsgroup@cps-group.com

cps-group.com



CPS MODEL FS 74 Z 6-2019 all rights reserved CPS GROUP

UNICERT
ISO 9001:2008

